

NJ ENTERPRISES



Block # 4, Rashid Minhas Road, Small Industries Estate Sialkot - Pakistan.

Whatsapp: Mob: 0092 333 8733922
Phone: 0092 52 3257502
Fax: 0092 52 3257501

E-mail: akif@nj-ent.co
njenterprisespk@yahoo.com
Website: www.nj-ent.com

Thorax, Cardiovascular Instruments

Rib Shears
 Rippenscheren
 Costótomos
 Costotomes
 Costotomi

Bone Shear



Catalog #	Size
CV-010-23	23 cm (9")

Rib Shear



Catalog #	Size
CV-013-22	23 cm (9")

Gluck Rib Shear
 Drawing Cut



Catalog #	Size
CV-017-22	21 cm (8 1/4")

Bethune Rib Shear



Catalog #	Size
CV-026-34	34 cm (13 1/2")

Sauerbruch Rib Shear



Catalog #	Size
CV-031-26	26 cm (10 1/4")

Rib Shears, Sternum Chisel
 Rippenscheren, Sternummeißel
 Costótomos, Cincel para esternón
 Costotomes, Ciseau-burin à sternum
 Costotomi, Scalpello per sterno

Giertz-Stille Rib Shear

Catalog #	Size
CV-037-27	24.5 cm (9 ¾")



Brunner Rib Shear
 For Right Hand

Catalog #	Size
CV-047-28	32 cm (12 ½")



Brunner Rib Shear
 For Left Hand

Catalog #	Size
CV-049-28	32 cm (12 ½")



Lebsche Sternum Chisel

Catalog #	Size
CV-051-24	24.5 cm (9 ¾")



Rib Spreader
 For Babies, With Two Pairs of Lateral Blades, Titanium

Catalog #	Blades Size, Blade Size, Spread
CV-058-00	9 x 20 mm, 9 x 10 mm, 52 mm



Rib Spreader
 Rippensperrer
 Separadores costales
 Ecarteurs des côtes
 Divaricatori costali

Cooley Rib Spreader
 For Babies, Aluminium

Catalog #	Blade Size, Spread
CV-060-01	12 x 16 mm, 95 mm



Cooley Rib Spreader
 For Children , Aluminium

Catalog #	Blade Size, Spread
CV-060-02	15 x 30 mm, 140 mm
CV-060-03	21 x 44 mm, 150 mm



Cooley Rib Spreader
 For Adults, Aluminium

Catalog #	Blade Size, Spread
CV-060-04	35 x 50 mm, 200 mm



Finochietto-Infant Rib Spreader
 For Babies, Aluminium

Catalog #	Blade Size, Spread
CV-071-01	15 x 15 mm, 75 mm



Finochietto-Baby Rib Spreader
 For Children, Aluminium

Catalog #	Blade Size, Spread
CV-072-01	31 x 31 mm, 100 mm



Rib Spreader
 Rippensperrer
 Separadores costales
 Ecarteurs des côtes
 Divaricatori costali

Finochietto Rib Spreader
 For Adults, Aluminium

Catalog #	Blade Size, Spread
CV-073-01	40 x 45 mm, 135 mm
CV-073-02	52 x 62 mm, 175 mm
CV-073-03	85 x 65 mm, 175 mm



Burford Rib Spreader
 With 2 Pairs of Lateral Blades , Aluminium

Catalog #	Blade Size, Spread
CV-075-01	47 x 62 mm, 65 x 62 mm, 200 mm
CV-075-02	47 x 62 mm, 65 x 62 mm, 260 mm
CV-075-03	47 x 62 mm, 65 x 62 mm, 300 mm



Castaneda Rib Spreader
 For Babies, Aluminium

Catalog #	Blade Size, Spread
CV-077-01	10.5 x 32 mm, 65 mm



Castaneda Rib Spreader
 For Infant, Aluminium

Catalog #	Blade Size, Spread
CV-077-02	12 x 45 mm, 70 mm
CV-077-03	15 x 60 mm, 120 mm



Finochietto (Modif) Rib Spreader

Catalog #	Blade Size, Spread
CV-081-01	14 x 15 mm, 120 mm



Rib Spreader
 Rippensperrer
 Separadores costales
 Ecarteurs des côtes
 Divaricatori costali

Haight Rib Spreader

Catalog #	Blade Size, Spread
CV-086-90	30 x 30 mm, 120 mm



Morse-Favaloro Rib Spreader
 For Children, 4 Moveable Blades

Catalog #	Blade Size, Spread
CV-091-01	17 x 22 mm, 160 mm



Morse Rib Spreader
 For Adults, 4 Moveable Blades

Catalog #	Blade Size, Spread
CV-094-00	22 x 27 mm, 200 mm



Tuffier Rib Spreader
 Stainless Steel

Catalog #	Blade Size, Spread
CV-096-00	45 x 45 mm, 160 mm



Finochietto-Baby Rib Spreader
 Stainless Steel

Catalog #	Blade Size, Spread
CV-101-00	14 x 15 mm, 75 mm



Rib Spreader
 Rippensperrer
 Separadores costales
 Ecarteurs des côtes
 Divaricatori costali

Finochietto Rib Spreader
 Stainless Steel

Catalog #	Blade Size, Spread
CV-102-01	30 x 45 mm, 150 mm
CV-102-02	46 x 62 mm, 190 mm
CV-102-03	80 x 65 mm, 190 mm



DeBakey Rib Spreader Complete
 With 3 Pairs of Blades Ref: CV-105-02 to CV-105-04

Catalog #	Spread
CV-105-00	150 mm



DeBakey Rib Spreader
 Spreader Only

Catalog #	Spread
CV-105-01	150 mm



DeBakey Lateral Blades Pair
 Fig. 1

Catalog #	Blade Size
CV-105-02	30 x 30 mm



DeBakey Lateral Blades Pair
 Fig. 2

Catalog #	Blade Size
CV-105-03	40 x 40 mm



Rib Spreader
 Rippensperrer
 Separadores costales
 Ecarteurs des côtes
 Divaricatori costali

DeBakey Lateral Blades Pair
 Fig. 3

Catalog #	Size, Blade Size
CV-105-04	N/A, 50 x 50 mm



DeBakey Rib Spreader Complete
 With 3 Pairs of Blades Ref: CV-106-02 to CV-106-04

Catalog #	Size, Spread
CV-106-00	N/A, 200 mm



DeBakey Rib Spreader
 Spreader Only

Catalog #	Size, Spread
CV-106-01	N/A, 200 mm



Lateral Blades Pair
 Fig. 1

Catalog #	Size, Blade Size
CV-106-02	N/A, 60 x 60 mm



Lateral Blades Pair
 Fig. 2

Catalog #	Size, Blade Size
CV-106-03	N/A, 50 x 80 mm



Rib Retractors
 Rippensperrer
 Separadores costales
 Ecarteurs des côtes
 Divaricatori costali

Lateral Blades Pair
 Fig. 3

Catalog #	Size, Blade Size
CV-106-03	N/A, 40 x 100 mm



Lateral Blades Pair
 Fig. 4

Catalog #	Size, Blade Size
CV-106-04	N/A, 80 x 60 mm



Lateral Blades Pair
 Fig. 5

Catalog #	Size, Blade Size
CV-106-05	N/A, 50 x 66 mm



Mercedes Thoracic Retractor Complete
 With Lateral Blades Ref: CV-111-02 and CV-111-03

Catalog #	Size
CV-111-00	N/A



Mercedes Thoracic Retractor
 Retractor Only

Catalog #	Size
CV-111-01	N/A



Rib Retractors, Rib Contractors
 Rippensperrer, Rippenkontraktoren
 Separadores costales, Aproximadores para costillas
 Ecarteurs des côtes, Rapprocheurs des côtes
 Divaricatori costali, Approssimatori costali

Lateral Blades Only (Pair)
 Fig. 1

Catalog #	Blade Size
CV-111-02	48 x 68 mm



Lateral Blades Only (Pair)
 Fig. 2

Catalog #	Blade Size
CV-111-03	70 x 75 mm



I.M.A Mammaria Retractor

Catalog #	Blade Size, Spread
CV-115-00	55 x 100 mm, 170 mm



I.M.A Mammaria Retractor (French Pattern)

Catalog #	Claw Size, Spread
CV-117-00	50 x 22 mm & 40 x 22 mm, 150 mm



Sellors Rib Contractor

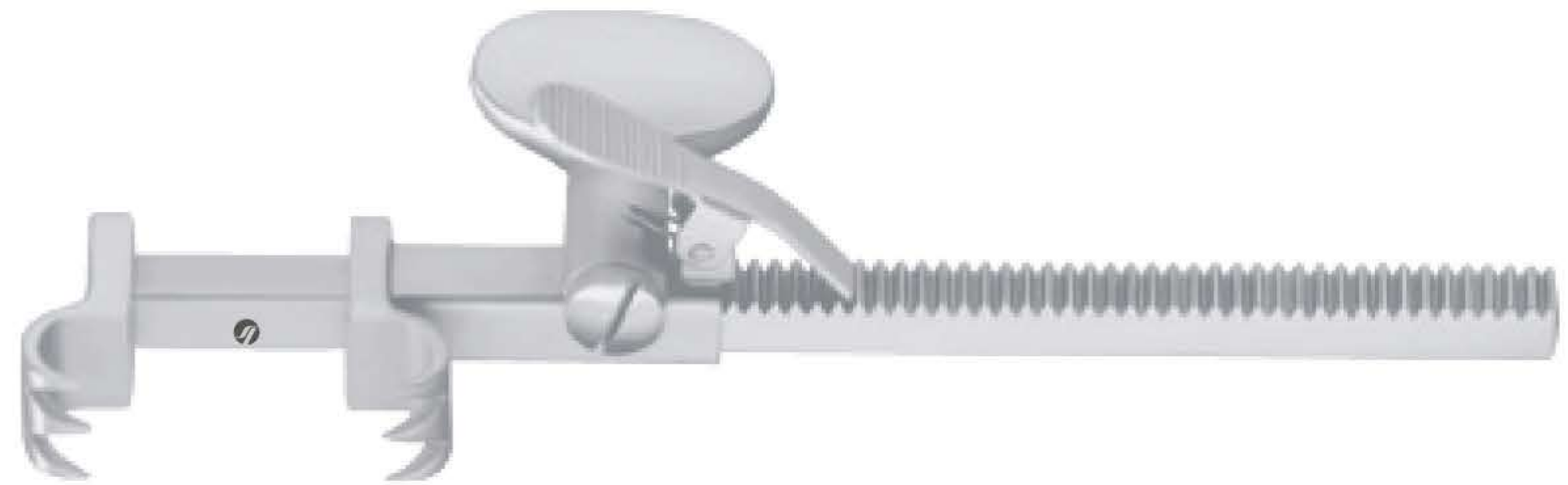
Catalog #	Size
CV-150-20	20 cm (8")



Rib Contractors, Lung Spatulas
 Rippenkonraktoren, Lungenspatel
 Aproximadores para costillas, Espátulas pulmonares
 Rapprocheurs des côtes, Spatules pulmonaires
 Approssimatori costali, Spatole per pulmone

Bailey-Baby Rib Contractor

Catalog #	Size
CV-154-15	15.5 cm (6")



Bailey Rib Contractor
Short Claws

Catalog #	Size
CV-158-16	20 cm (8")



Bailey-Gibbon Rib Contractor
Long Claws

Catalog #	Size
CV-160-16	20 cm (8")



Allison Lung Spatula

Catalog #	Size
CV-171-30	29.5 cm (11 1/2")
CV-171-32	32.5 cm (12 3/4")

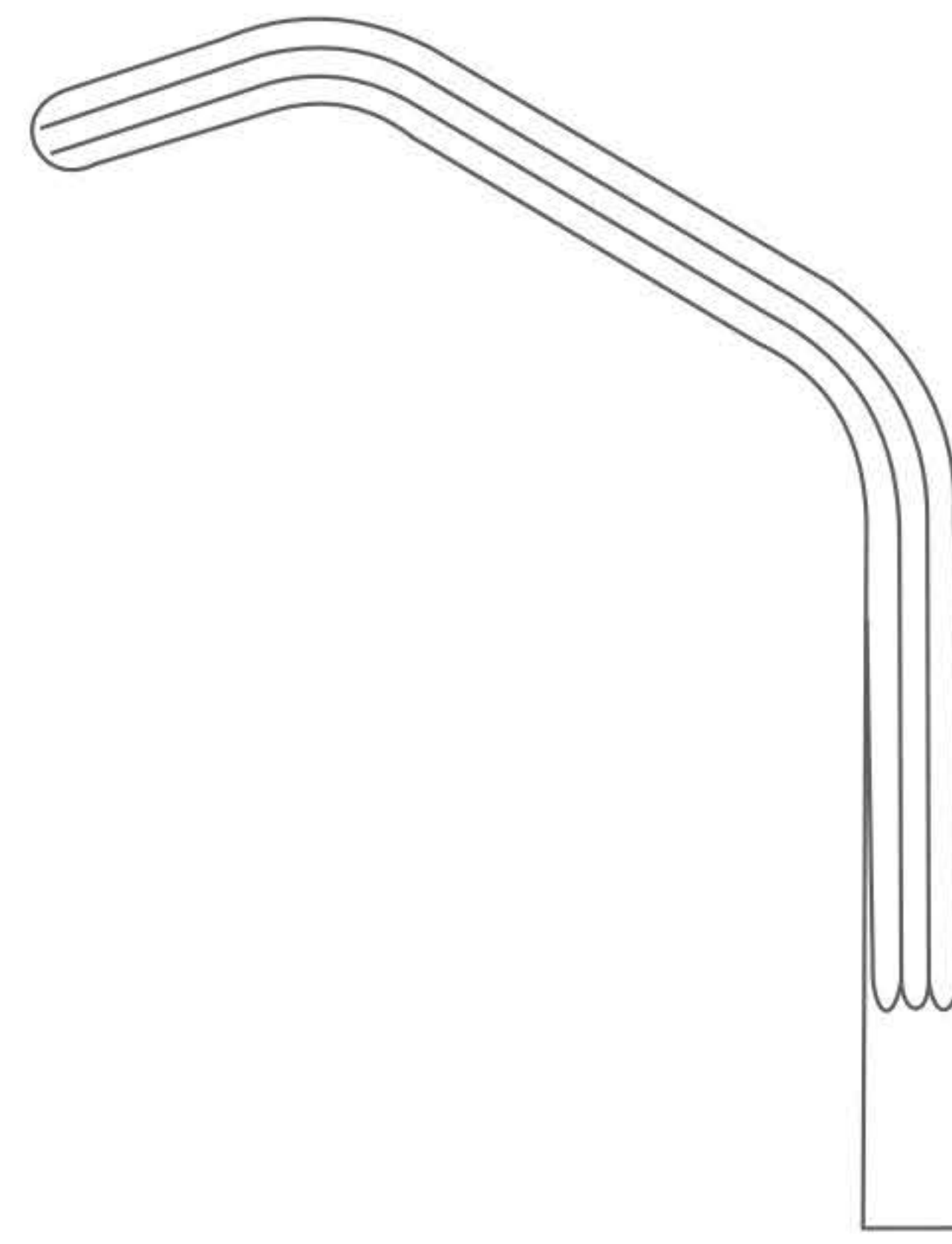


Allison Lung Spatula

Catalog #	Size
CV-173-30	26 cm (10 1/4")

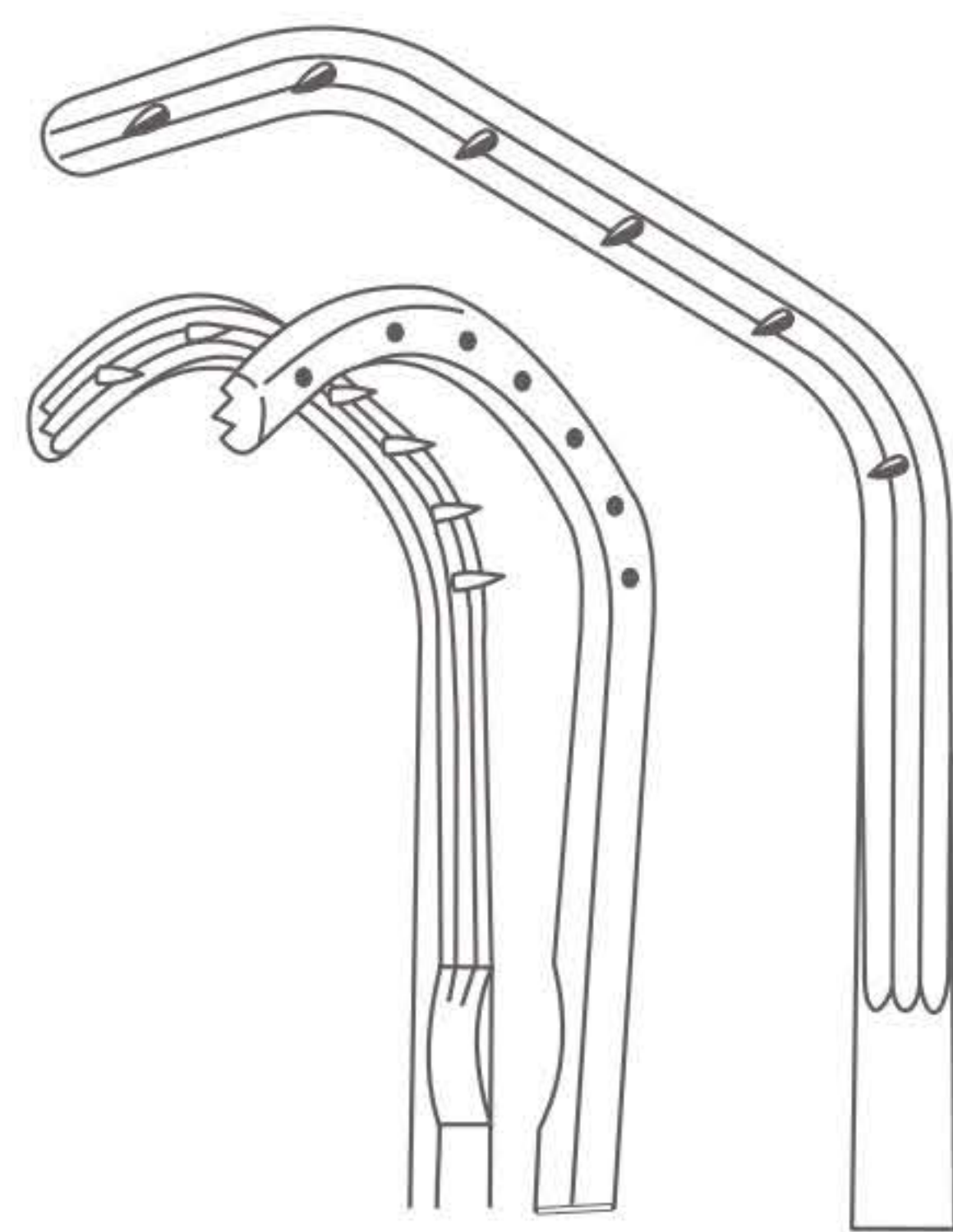


Cardiovascular Clamps
 Kardiovaskuläre Klemmen
 Pinzas cardiovasculares
 Pincas cardiovasculaires
 Pinze cardiovascolari

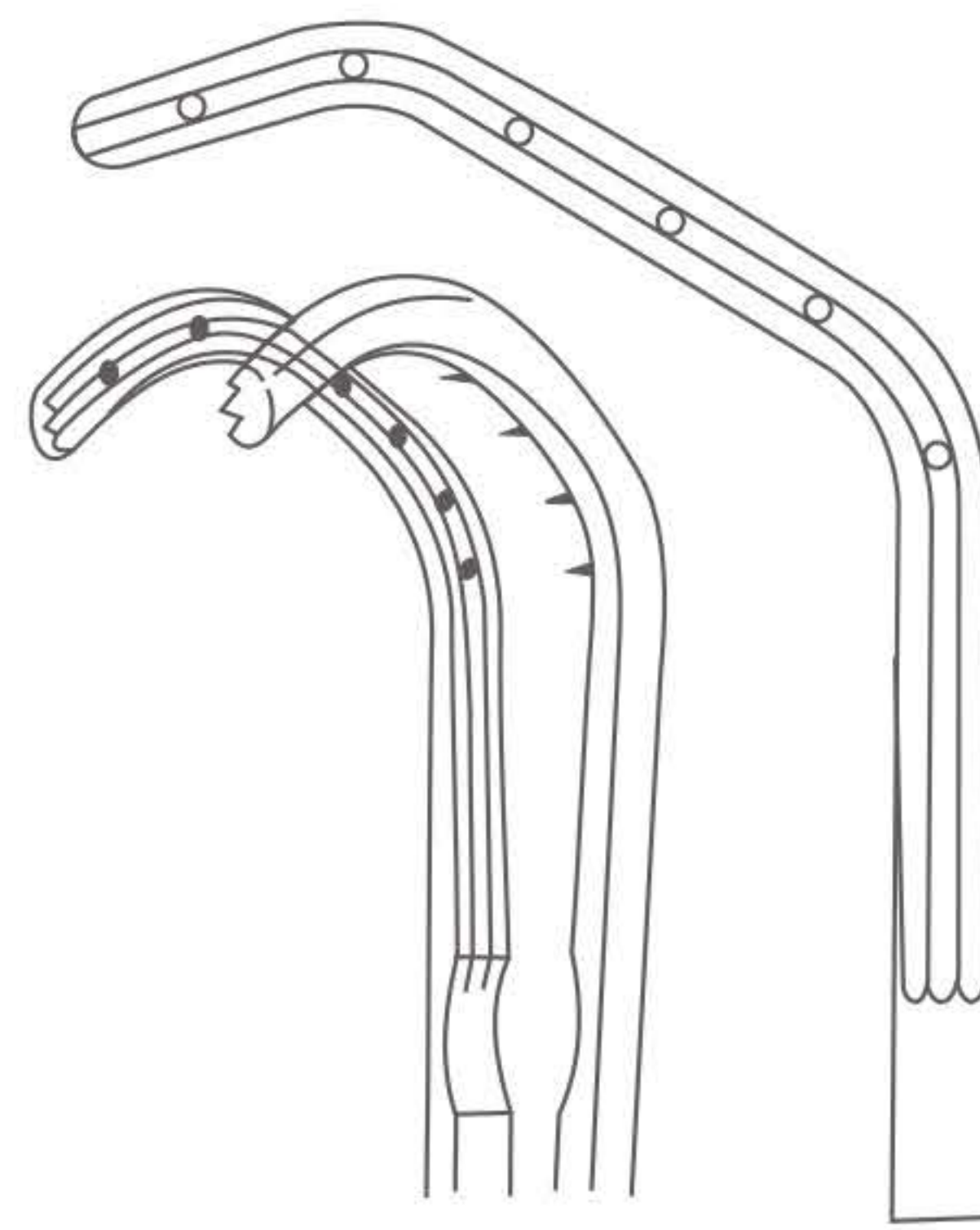


Price-Thomas Bronchus Clamp

Catalog #	Size
CV-201-22	22 cm (8 3/4")



CV-205-22



CV-207-22

Price-Thomas Bronchus Clamp

Catalog #	Size, Profile
CV-205-22	22 cm (8 3/4"), Fig. 1, Spikes on Left Jaw
CV-207-22	22 cm (8 3/4"), Fig. 2, Spikes on Right Jaw

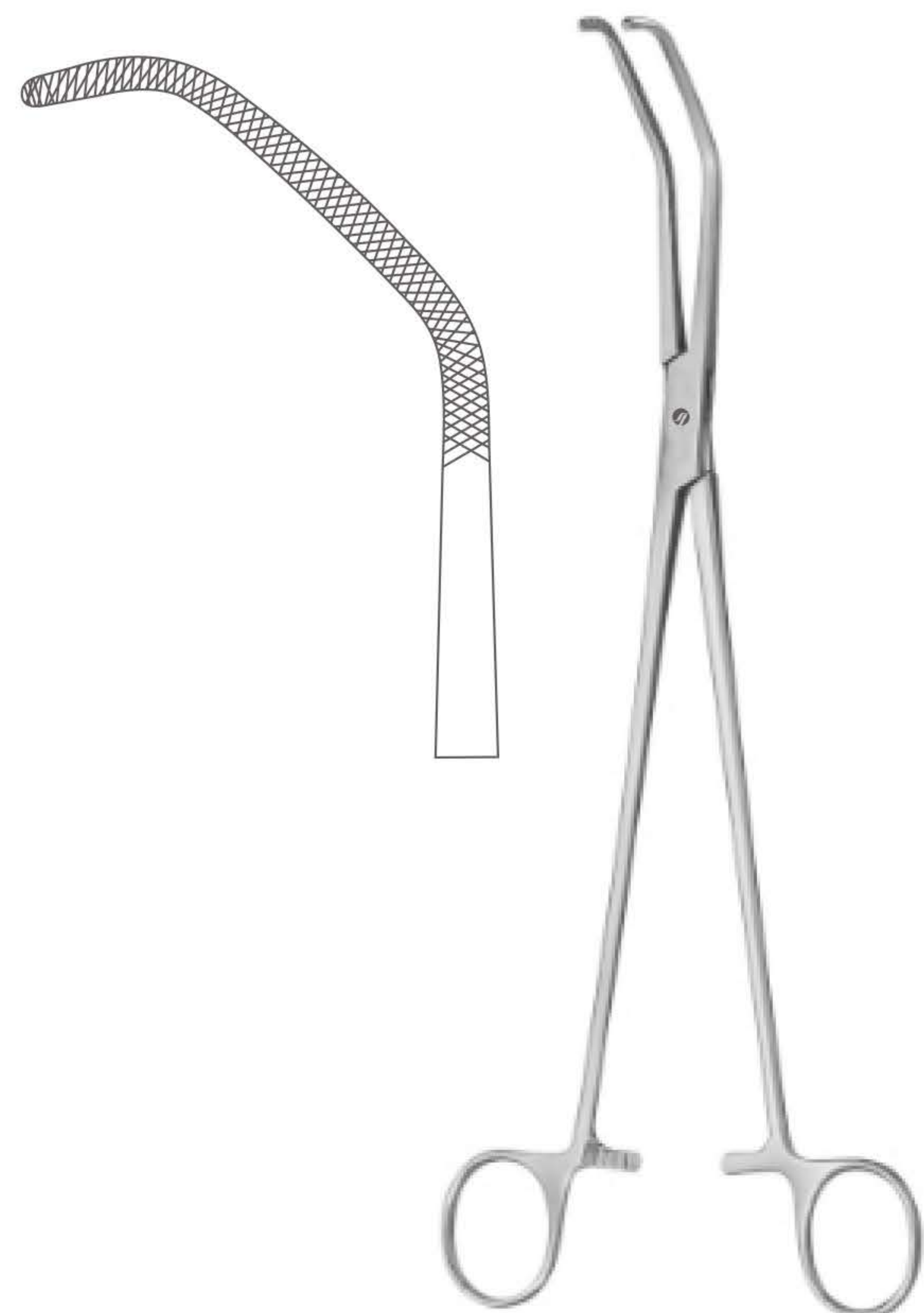


Cardiovascular Clamps
 Kardiovaskuläre Klemmen
 Pinzas cardiovasculares
 Pincés cardiovasculaires
 Pinze cardiovascolari



Baby Satinsky Anastomosis Clamp

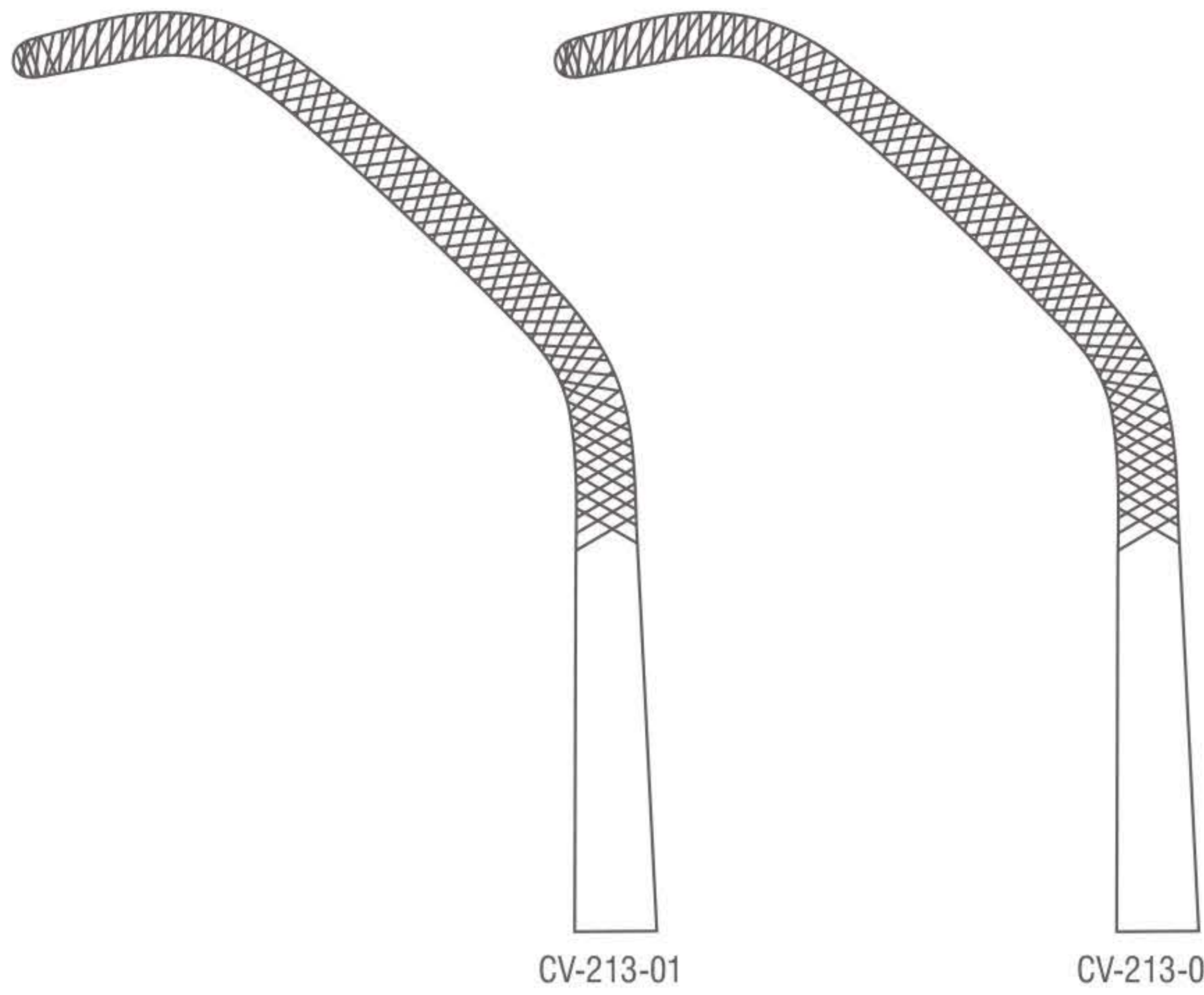
Catalog #	Size
CV-209-15	15 cm (6")



Satinsky Anastomosis Clamp

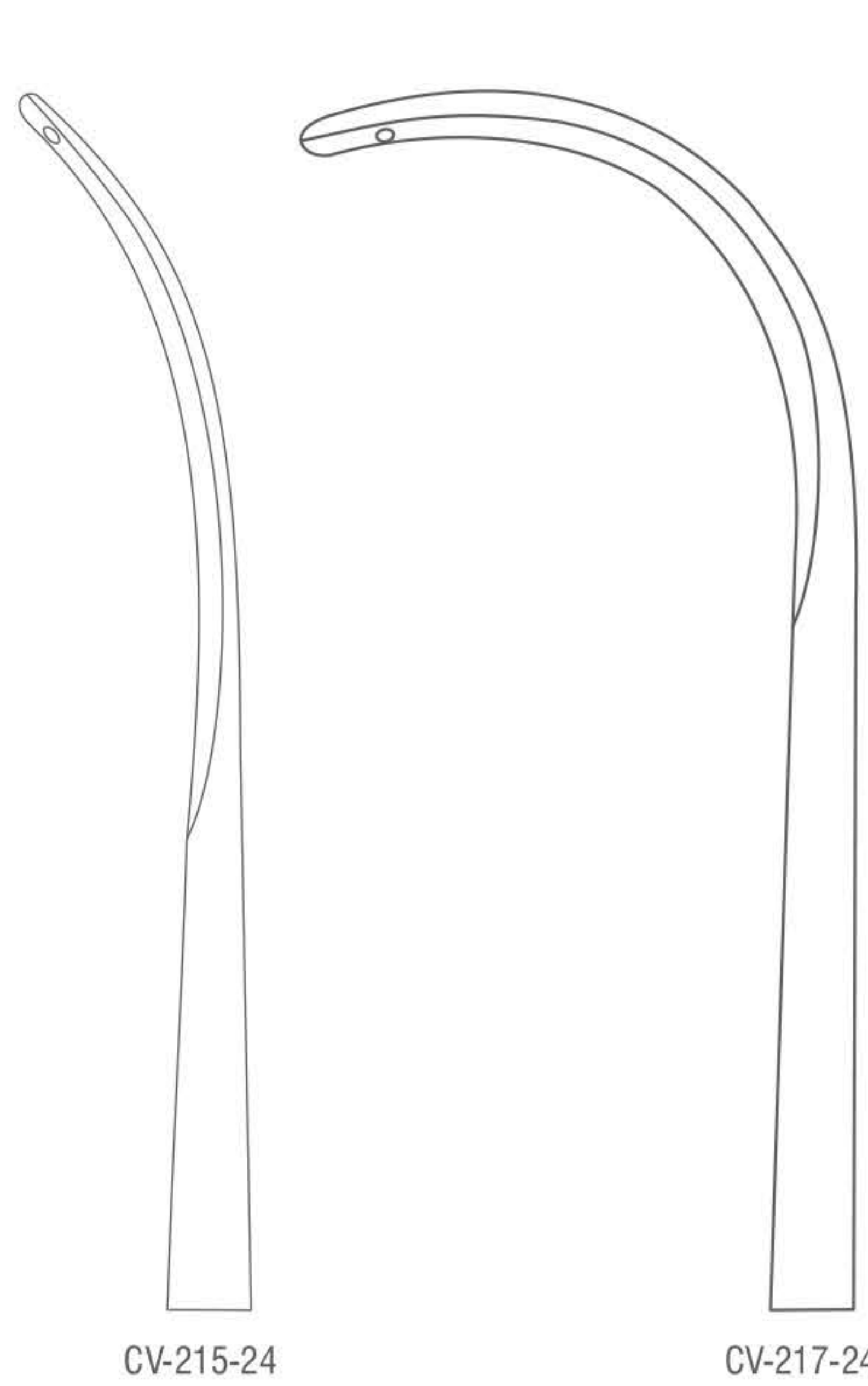
Catalog #	Size
CV-211-26	26.5 cm (10 1/2")

Cardiovascular Clamps
 Kardiovaskuläre Klemmen
 Pinzas cardiovasculares
 Pincas cardiovasculaires
 Pinze cardiovascolari



Satinsky Anastomosis Clamp

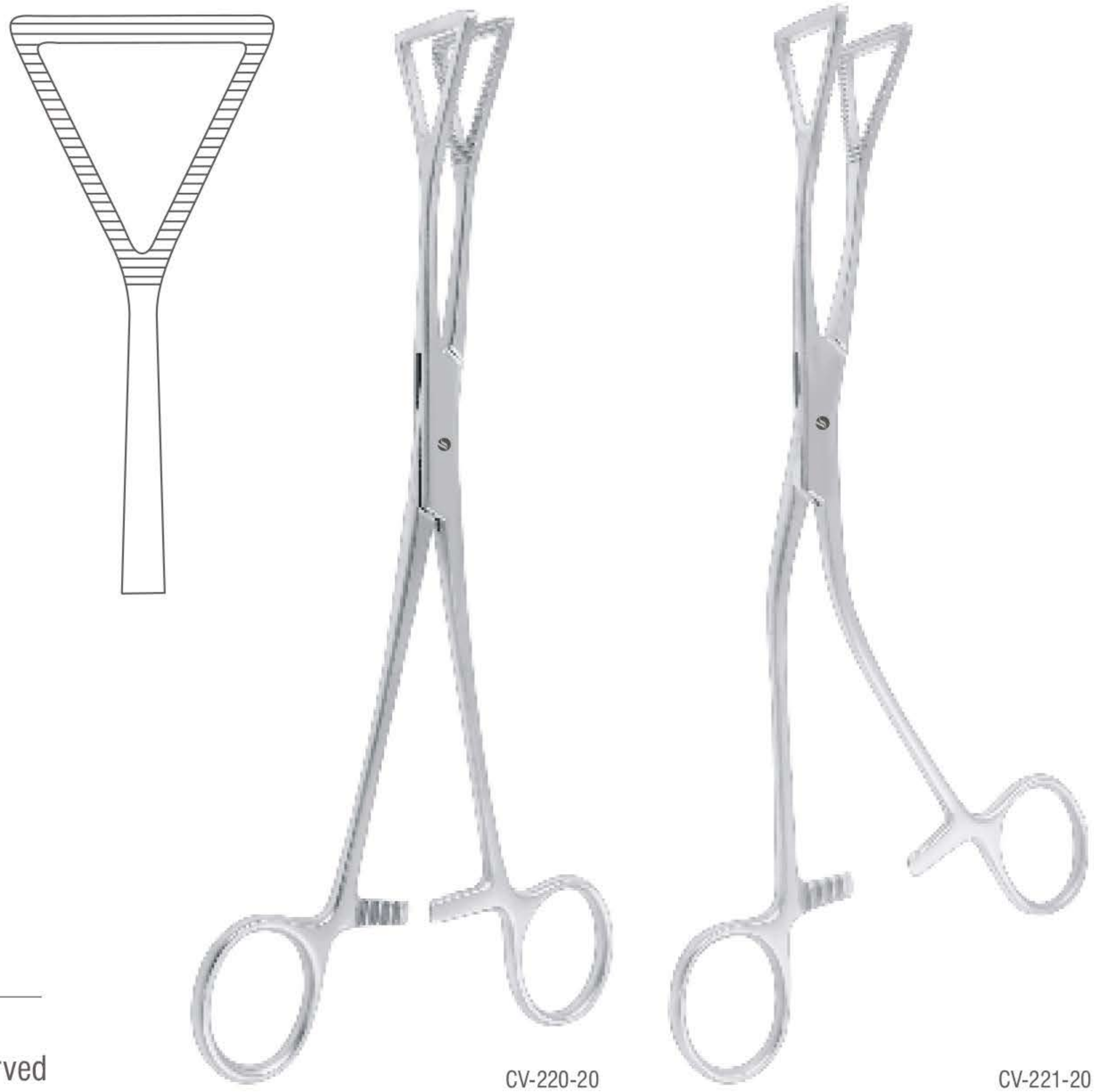
Catalog #	Size, Profile
CV-213-01	26.5 cm (10 1/2"), Fig. 1
CV-213-02	26.5 cm (10 1/2"), Fig. 2



Semb Bronchus Clamp

Catalog #	Size, Profile
CV-215-24	24.5 cm (9 3/4"), Slightly Curved
CV-217-24	24 cm (9 1/2"), Strongly Curved

Lung Grasping Forceps, Bulldog Clamps
 Lungenfasszangen, Bulldogklemmen
 Pinzas para coger el pulmón, Clamps Bulldog
 Pince-clamps à poumons, Clamps Bulldog
 Pinze per afferrare polmone, Pinze Bulldog

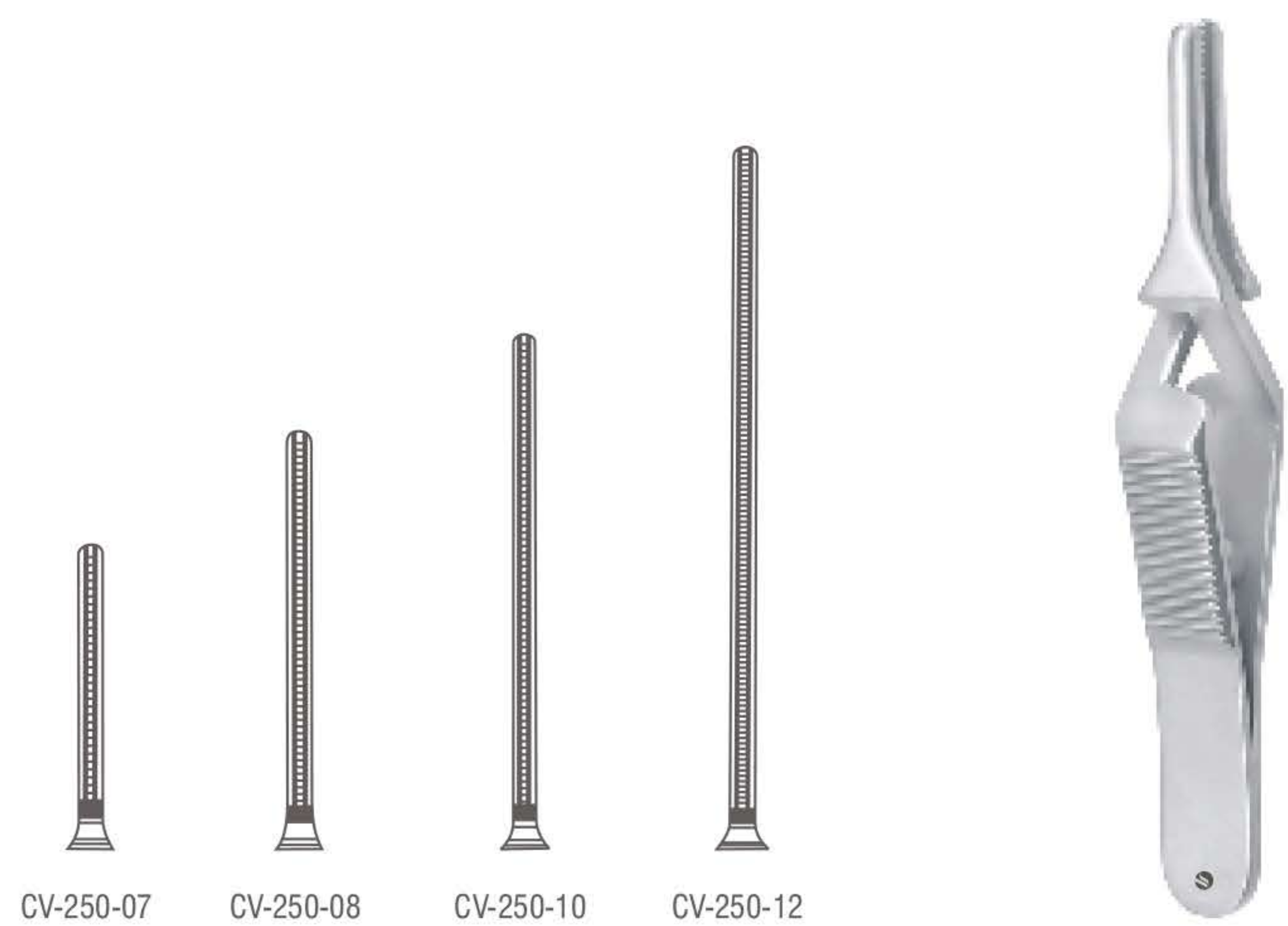


Lovelace Lung Grasping Forcep

Catalog #	Size, Profile
CV-220-20	20.5 cm (8"), Straight
CV-221-20	19 cm (7 1/2"), Laterally Curved

DeBakey Atrauma Bulldog Clamp
 Straight

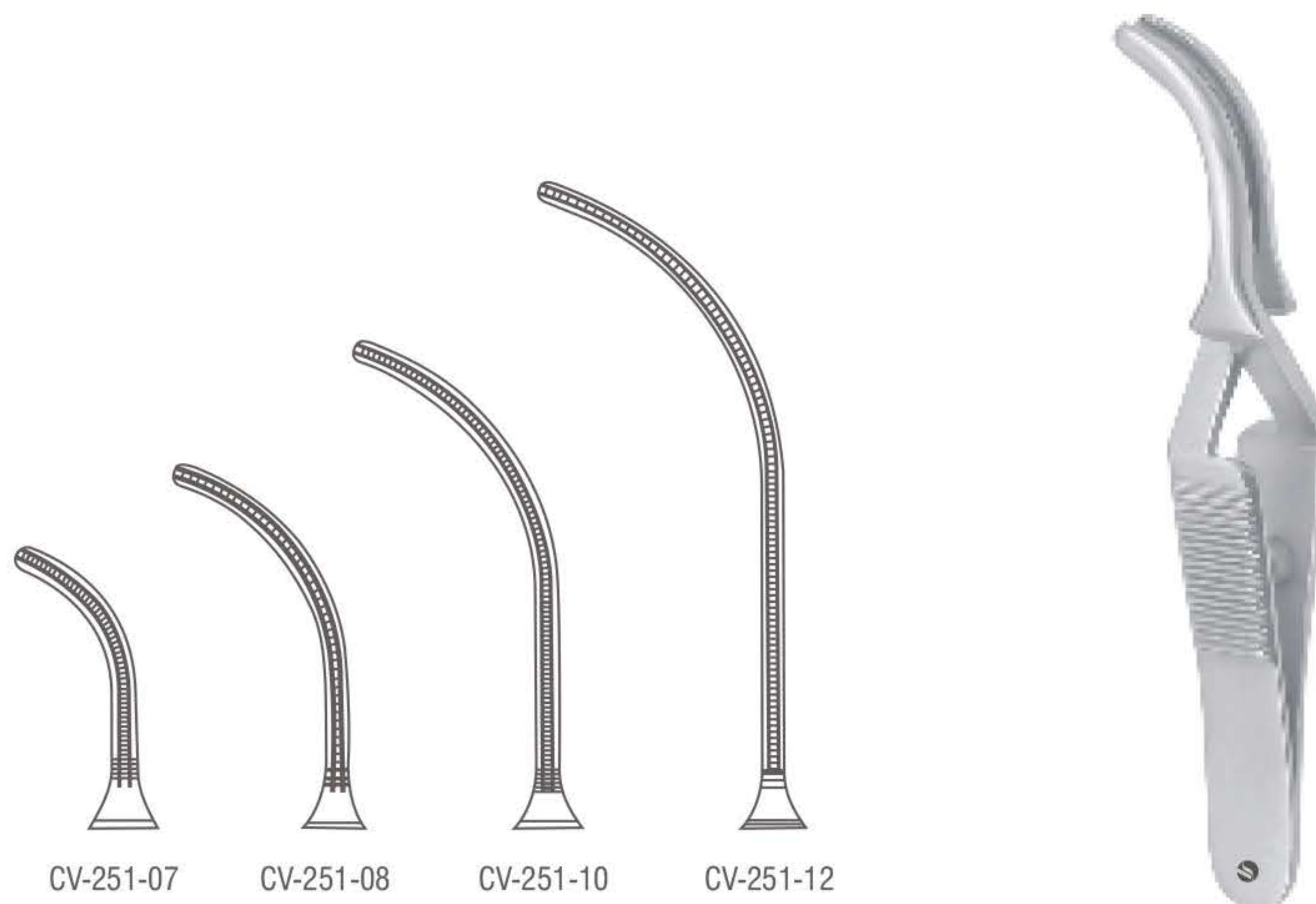
Catalog #	Size, Jaw
CV-250-07	7.5 cm (3"), 25 mm
CV-250-08	8.5 cm (3 1/4"), 35 mm
CV-250-10	10 cm (4"), 50 mm
CV-250-12	12 cm (4 3/4"), 68 mm



Bulldog Clamps
 Bulldogklemmen
 Clamps Bulldog
 Clamps Bulldog
 Pinze Bulldog

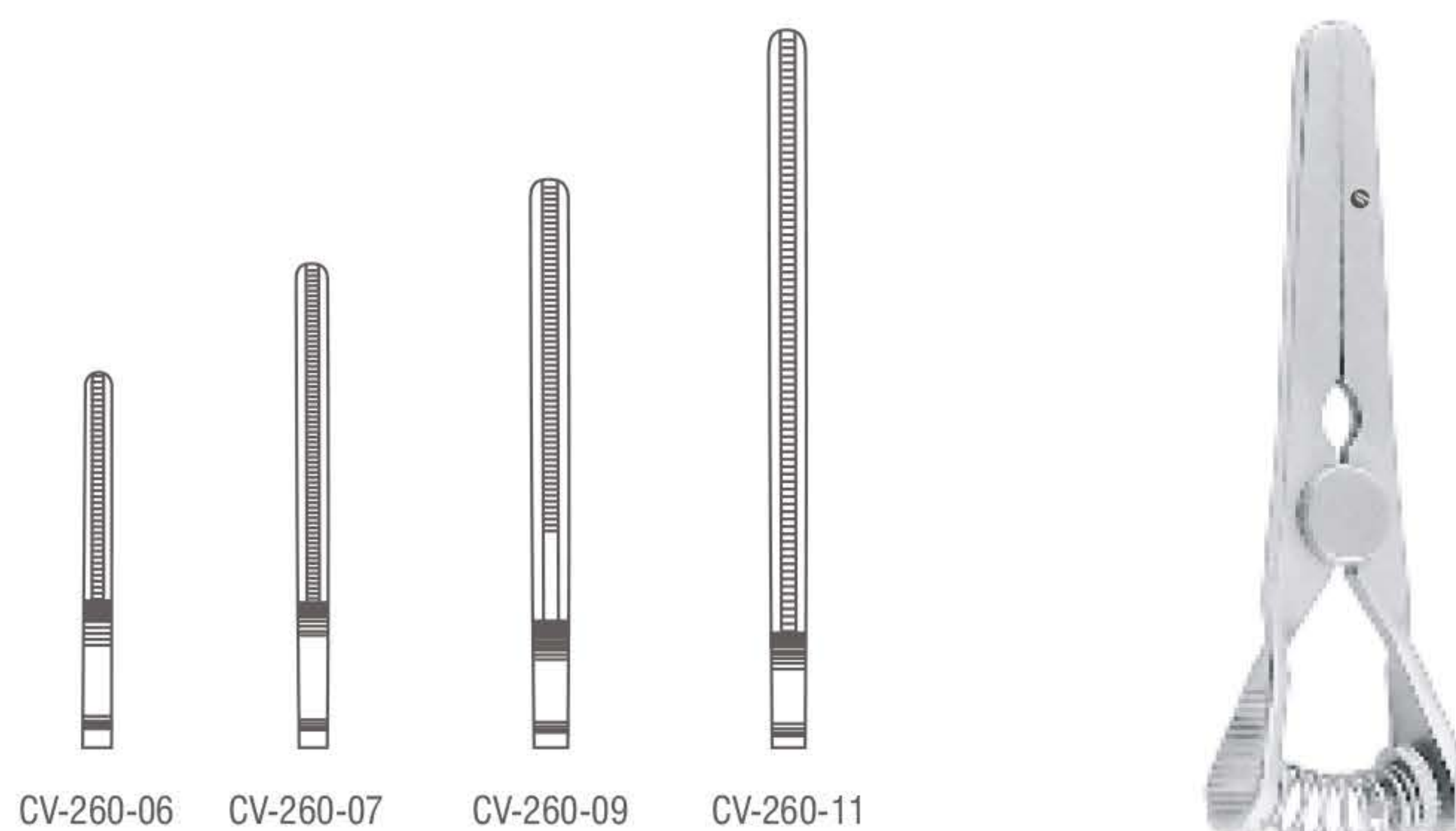
DeBakey Atrauma Bulldog Clamp
 Curved

Catalog #	Size, Jaw
CV-251-07	7.5 cm (3"), 23 mm
CV-251-08	8.5 cm (3 1/4"), 31 mm
CV-251-10	9.5 cm (3 3/4"), 42 mm
CV-251-12	11 cm (4 1/4"), 58 mm



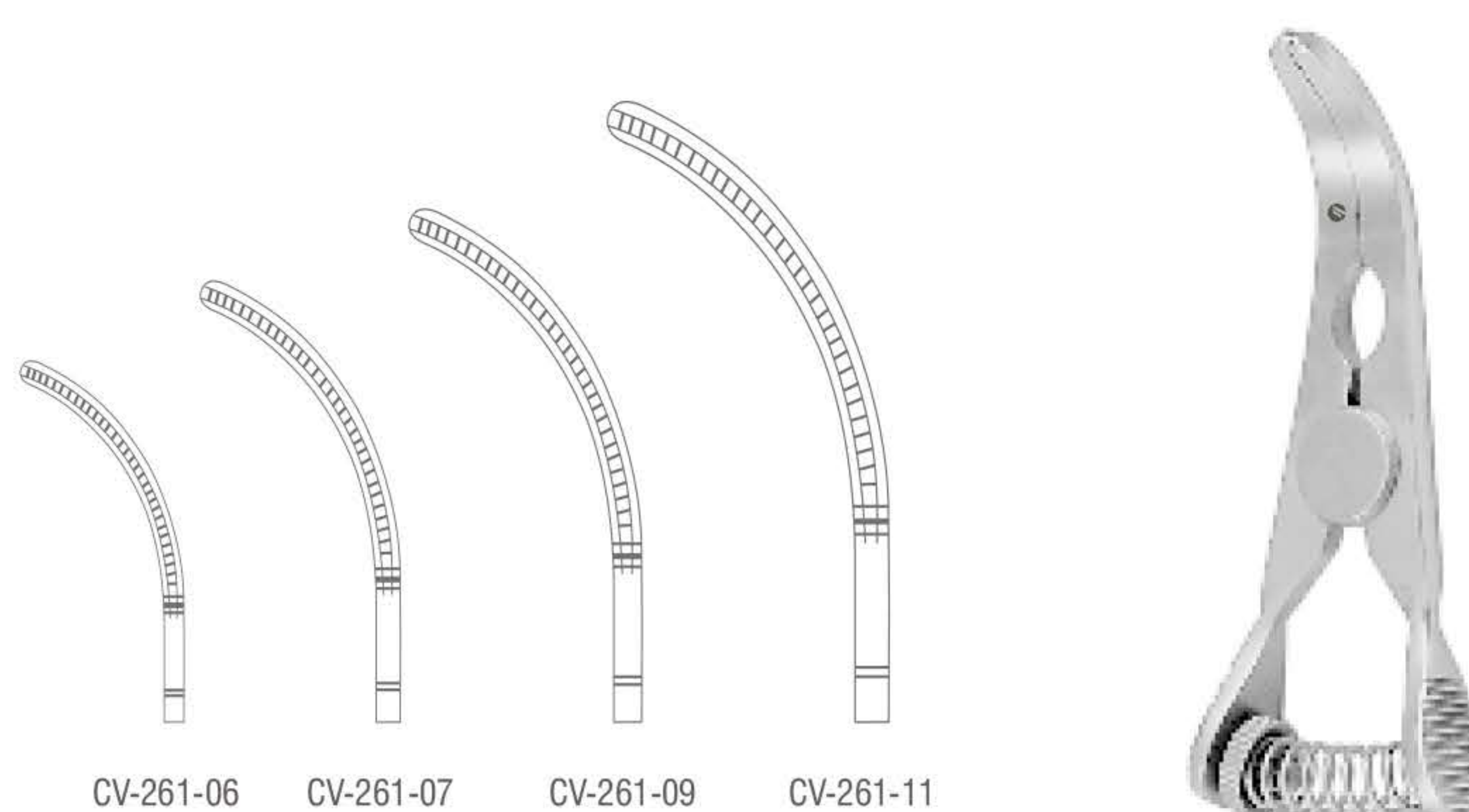
Glover Atrauma Bulldog Clamp
 Straight

Catalog #	Size, Jaw
CV-260-06	7 cm (2 3/4"), 32 mm
CV-260-07	7.5 cm (3"), 37 mm
CV-260-09	9 cm (3 1/2"), 50 mm
CV-260-11	11 cm (4 1/4"), 69 mm



Glover Atrauma Bulldog Clamp
 Curved

Catalog #	Size, Jaw
CV-261-06	6.5 cm (2 3/4"), 33 mm
CV-261-07	7 cm (3"), 37 mm
CV-261-09	8.5 cm (3 1/2"), 50 mm
CV-261-11	10.5 cm (4 1/4"), 69 mm



DeBakey-Satinsky Atrauma Bulldog Clamp

Catalog #	Size, Jaw
CV-265-07	7 cm (2 3/4"), 38 mm
CV-265-09	9 cm (3 1/2"), 54 mm
CV-265-10	10 cm (4"), 63 mm



Bulldog Clamps
 Bulldogklemmen
 Clamps Bulldog
 Clamps Bulldog
 Pinze Bulldog

Glover Atrauma Bulldog Clamp

Catalog #	Size, Jaw
CV-277-06	6 cm (2 1/4"), 35 mm



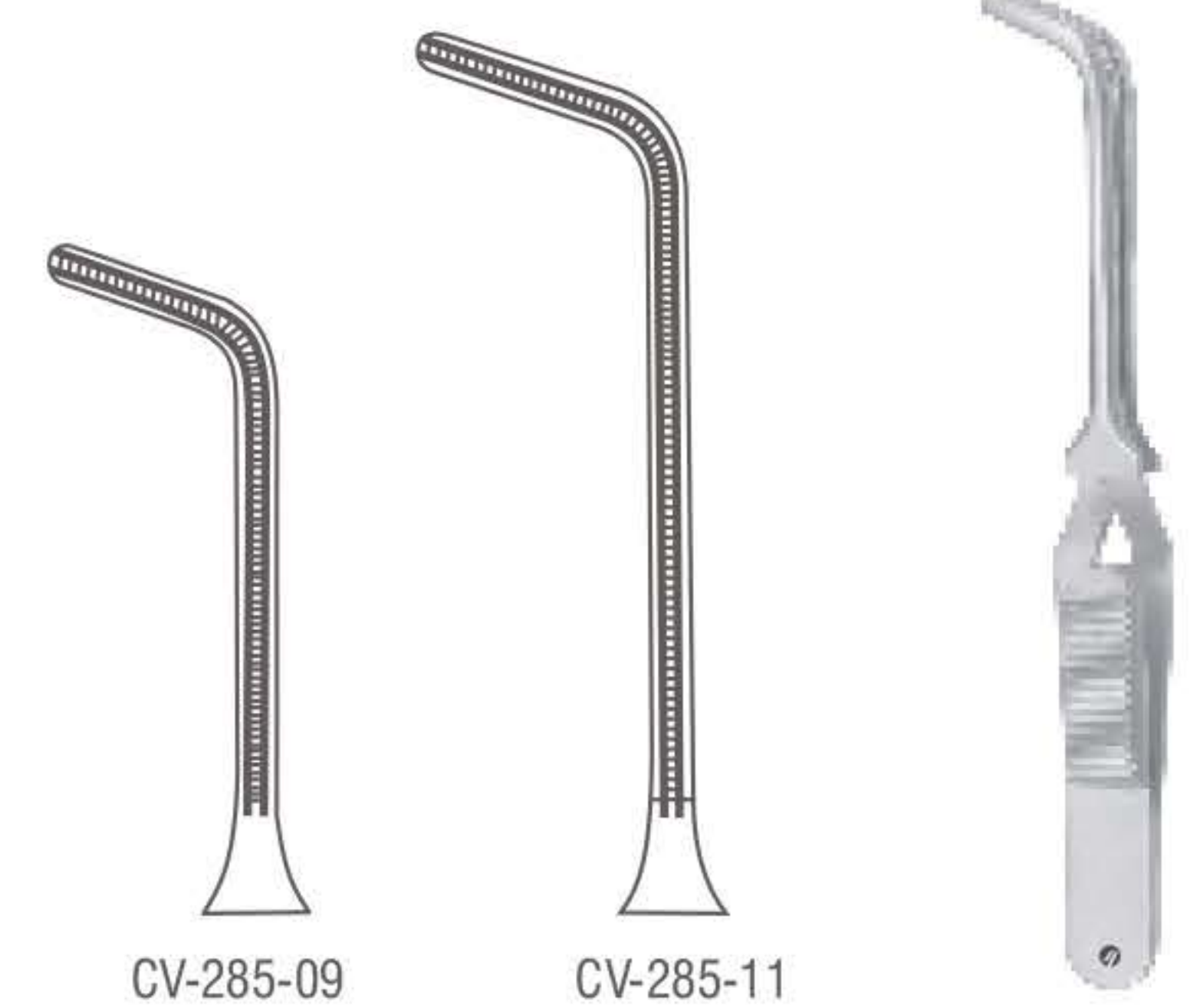
Santulli Atrauma Bulldog Clamp

Catalog #	Size
CV-281-07	7 cm (2 3/4")



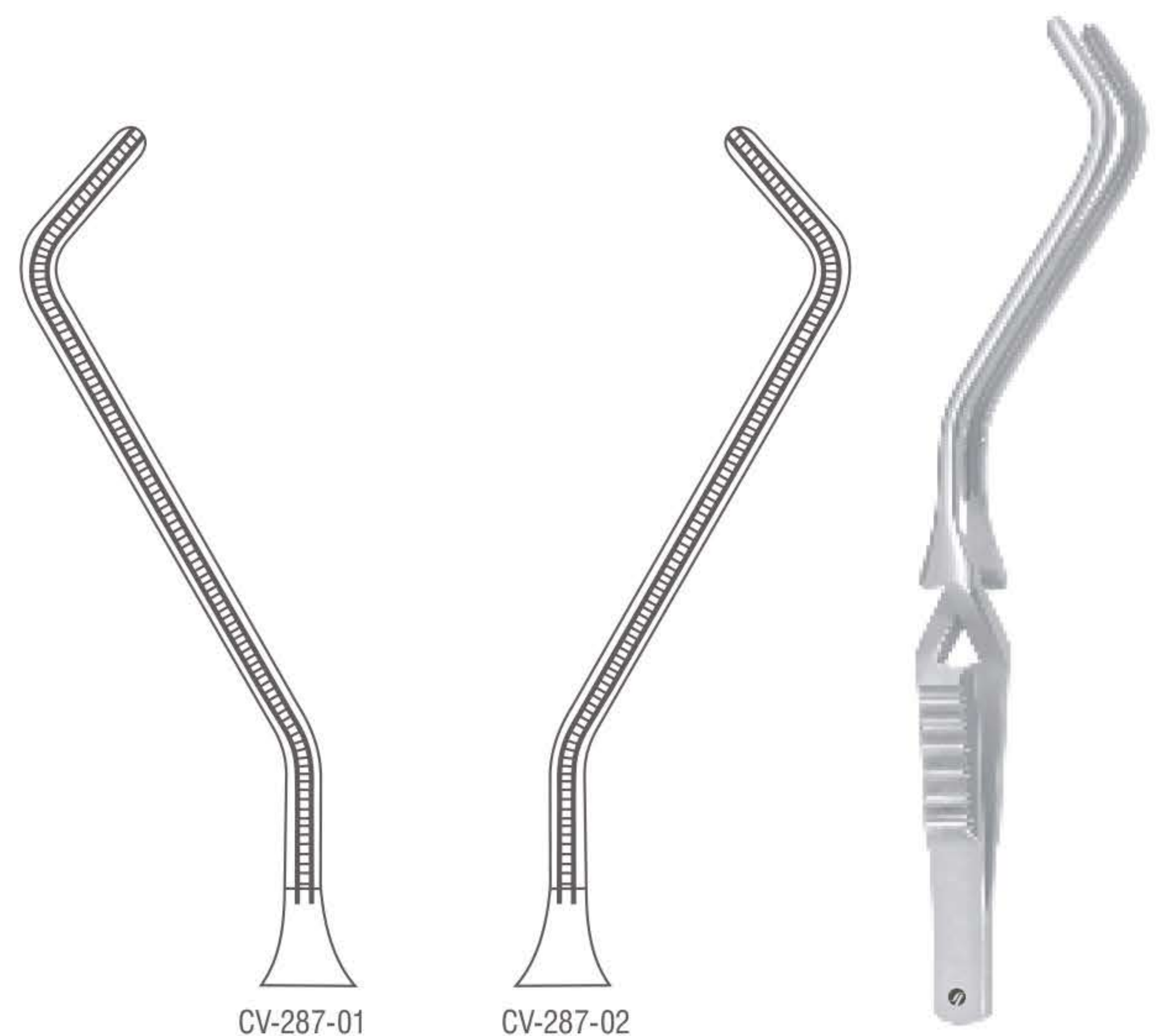
Gergory-Soft Atrauma Bulldog Clamp
 Carotid Clamp

Catalog #	Size, Jaw
CV-285-09	9 cm (3 1/2"), 45 mm
CV-285-11	11 cm (4 1/4"), 58 mm

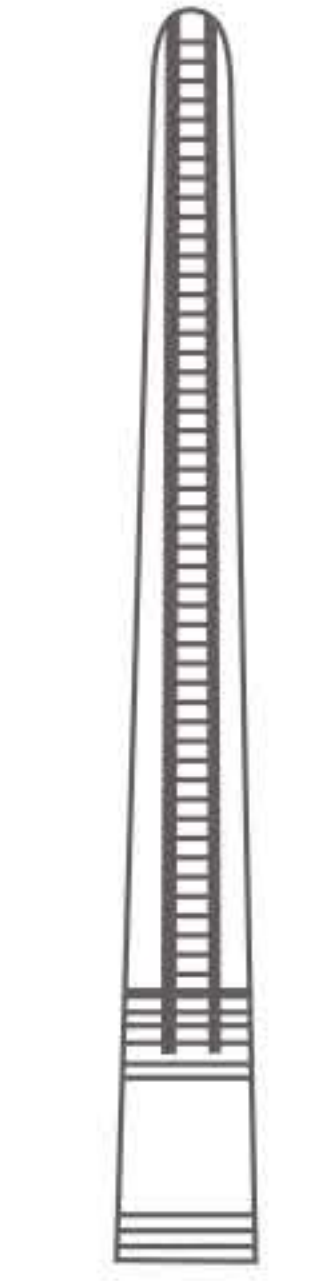


Gergory Atrauma Bulldog Clamp

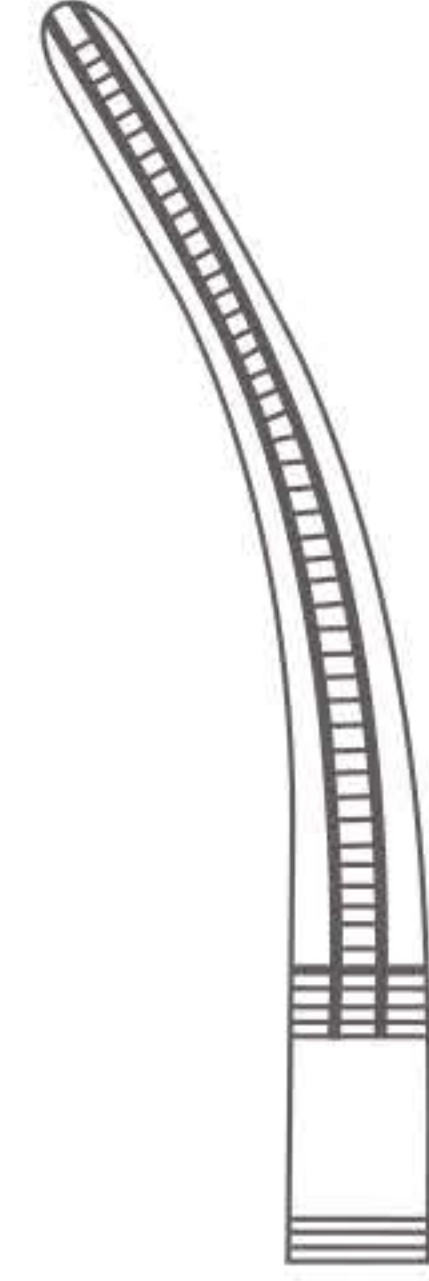
Catalog #	Size, Jaw, Profile
CV-287-01	10.5 cm (4"), 62 mm, Carotid Clamp, Right
CV-287-02	10.5 cm (4"), 62 mm, Carotid Clamp, Left



Cardiovascular Clamps
 Kardiovaskuläre Klemmen
 Pinzas cardiovasculares
 Pincas cardiovasculaires
 Pinze cardiovascolari



CV-300-16

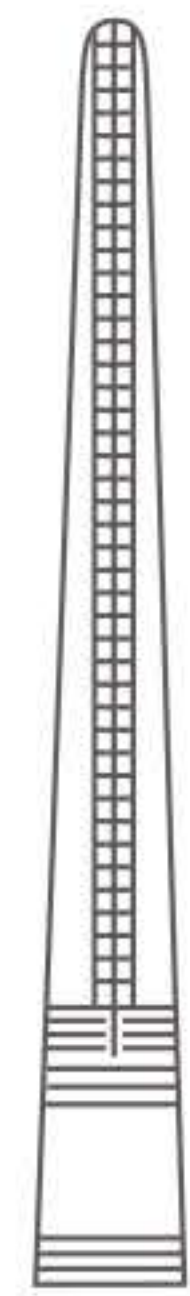


CV-301-16

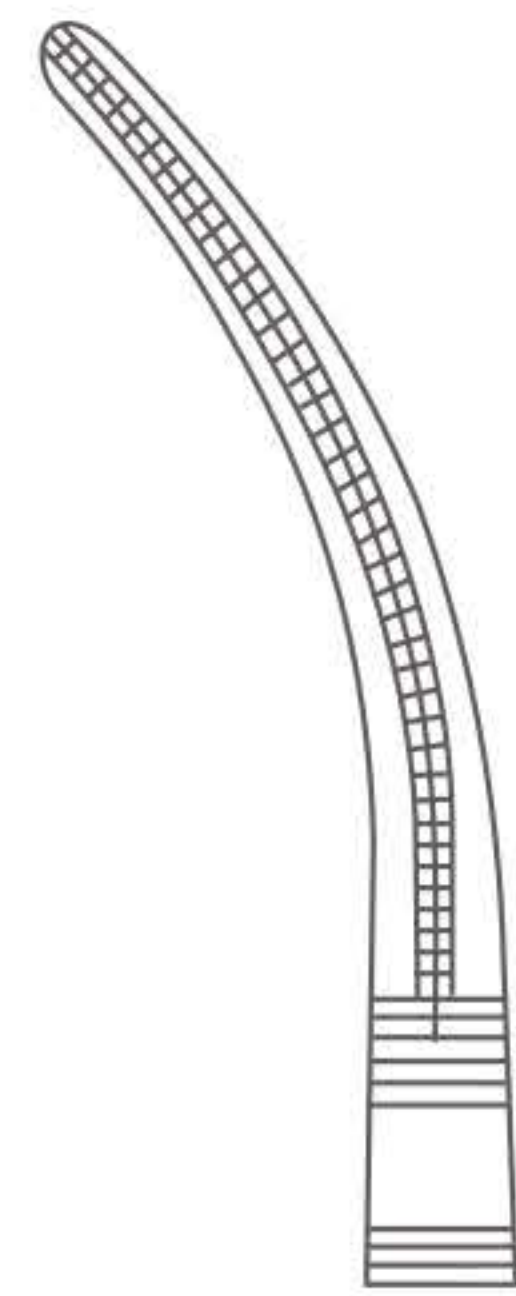


DeBakey-Rankin Atrauma Hemostatic Forcep

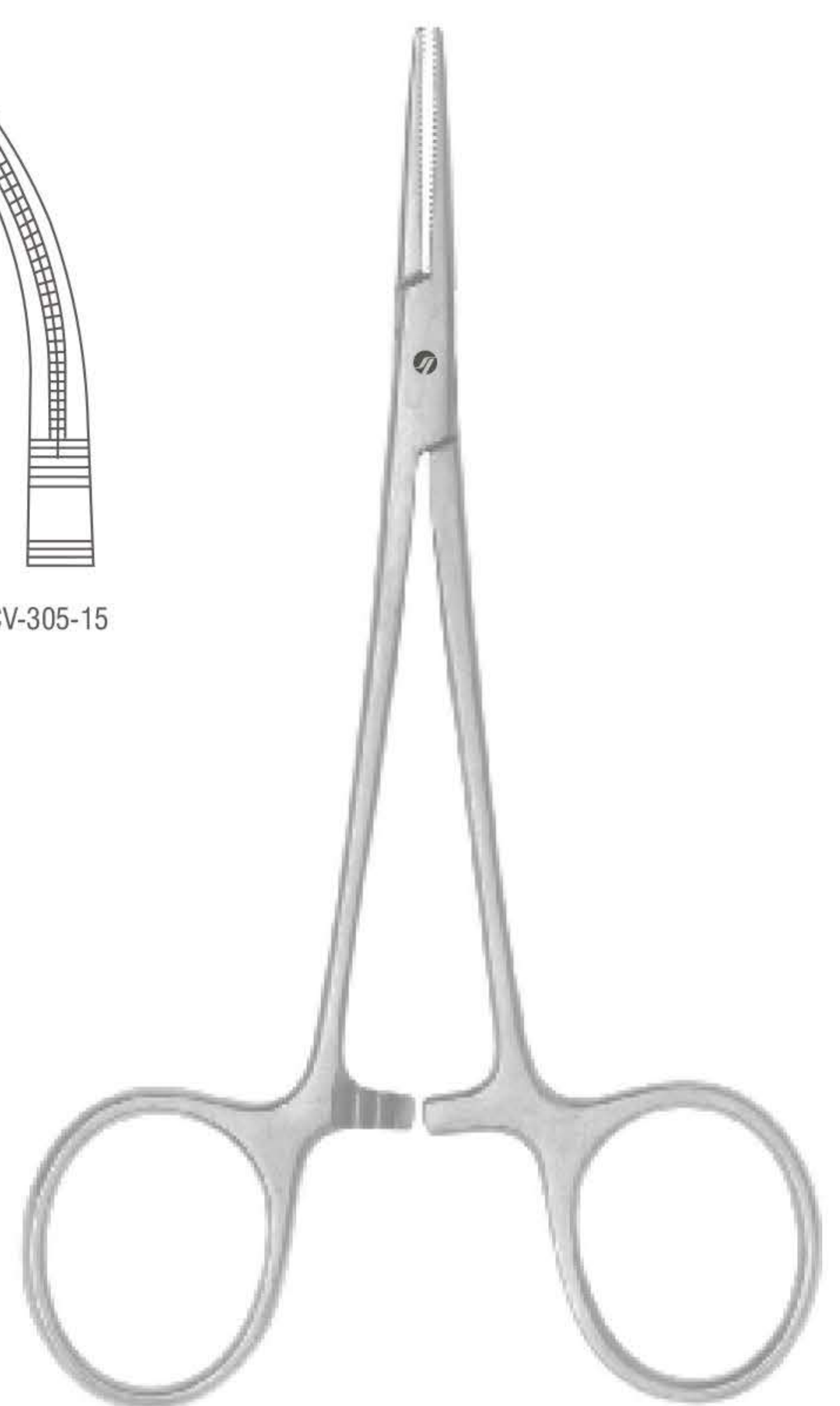
Catalog #	Size, Jaw, Profile
CV-300-16	16 cm (6 1/4"), 40 mm, Straight
CV-301-16	16 cm (6 1/4"), 40 mm, Curved



CV-304-15



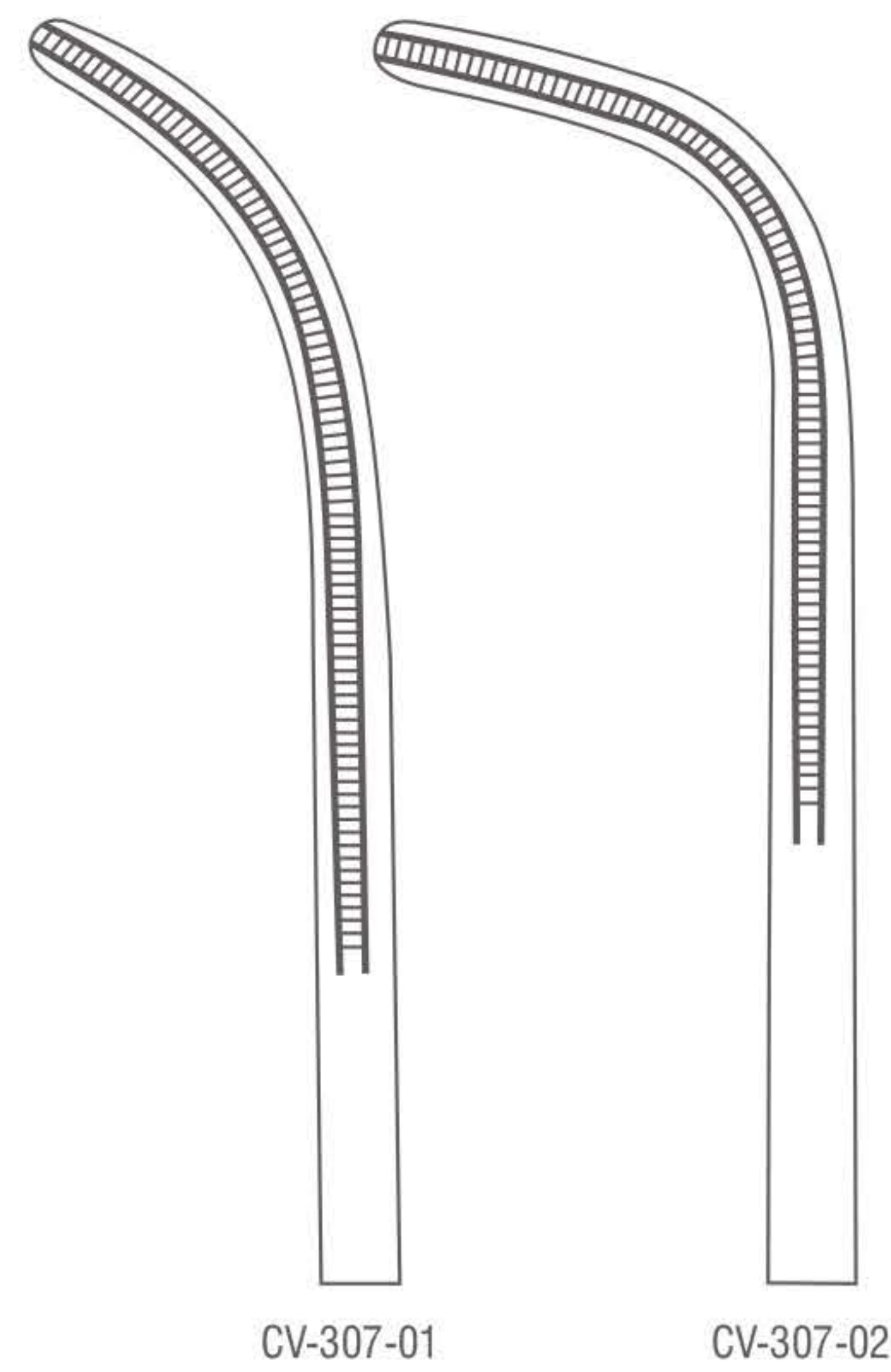
CV-305-15



DeBakey-Mosquito Atrauma Hemostatic Forcep

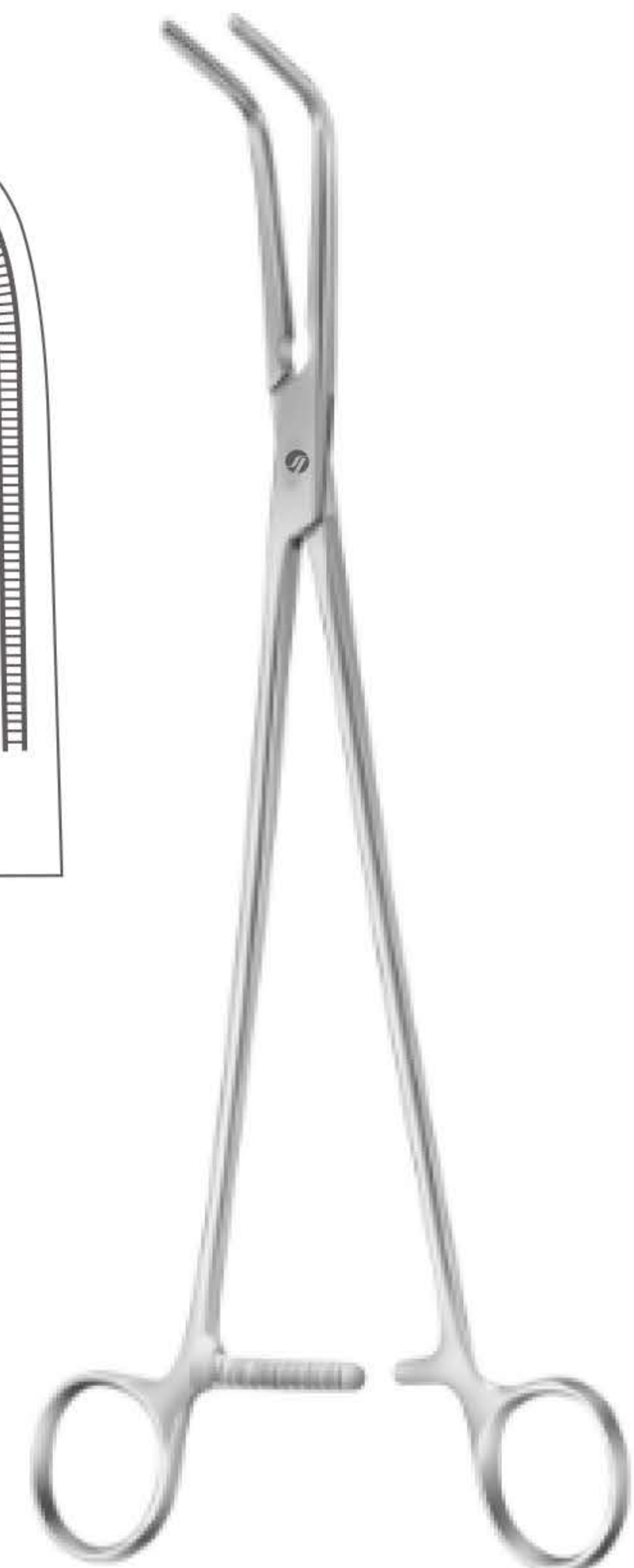
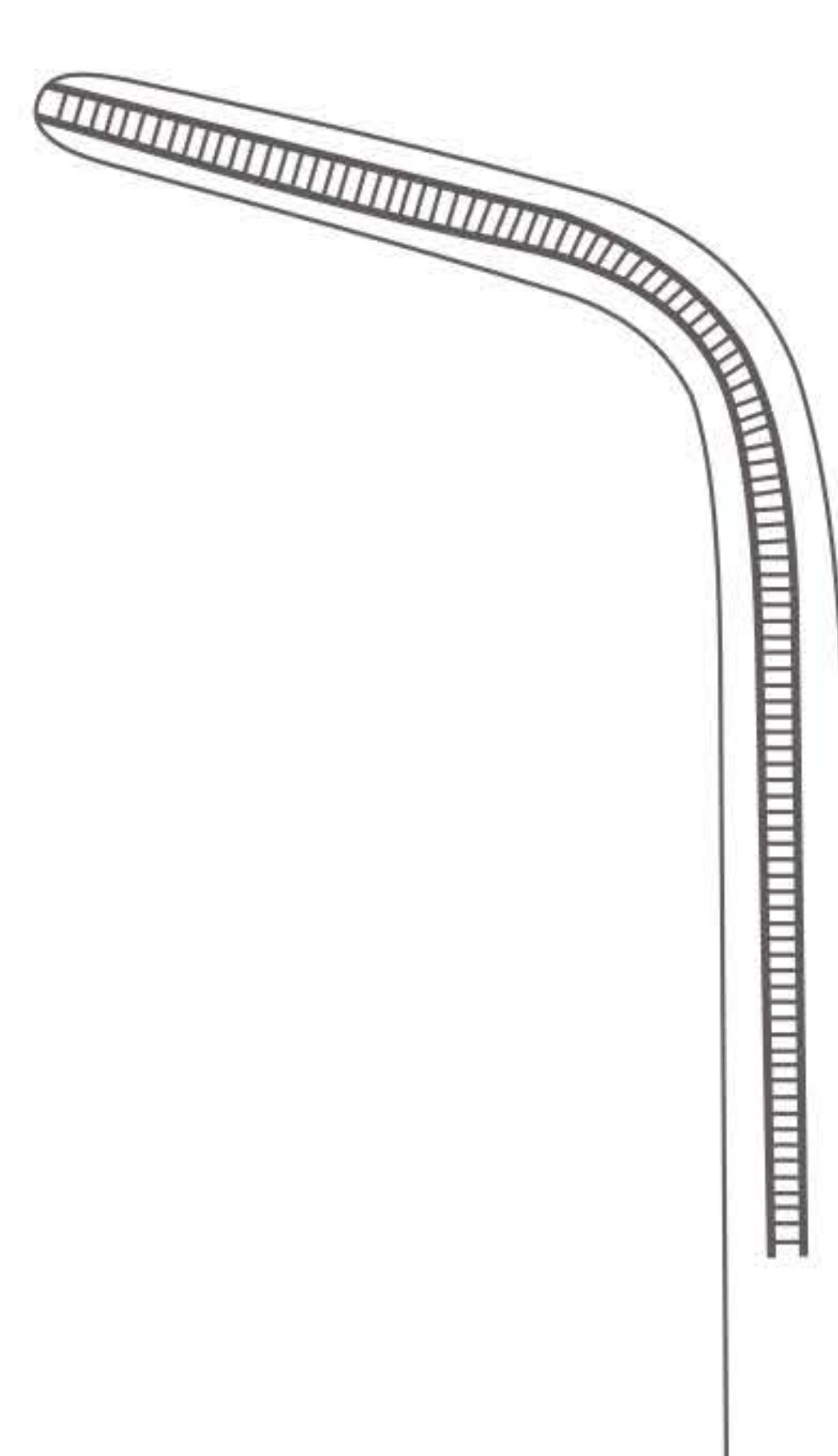
Catalog #	Size, Jaw, Profile
CV-304-15	16 cm (6 1/4"), 27 mm, Straight
CV-305-15	16 cm (6 1/4"), 27 mm, Curved

Cardiovascular Clamps
 Kardiovaskuläre Klemmen
 Pinzas cardiovasculares
 Pincés cardiovasculaires
 Pinze cardiovascolari



DeBakey-Rumel Atrauma Dissecting & Ligature Forcep

Catalog #	Size, Jaw, Profile
CV-307-01	25 cm (10"), 81 mm, Slightly Curved
CV-307-02	24.5 cm (9 3/4"), 81 mm, Strongly Curved



DeBakey-Mixter Atrauma Dissecting & Ligature Forcep

Catalog #	Size, Jaw
CV-309-28	28.5 cm (11 1/4"), 80 mm

Cardiovascular Clamps
 Kardiovaskuläre Klemmen
 Pinzas cardiovasculares
 Pincas cardiovasculaires
 Pinze cardiovascolari



DeBakey-McQuigg-Mixter Atrauma Dissecting & Ligature Forcep

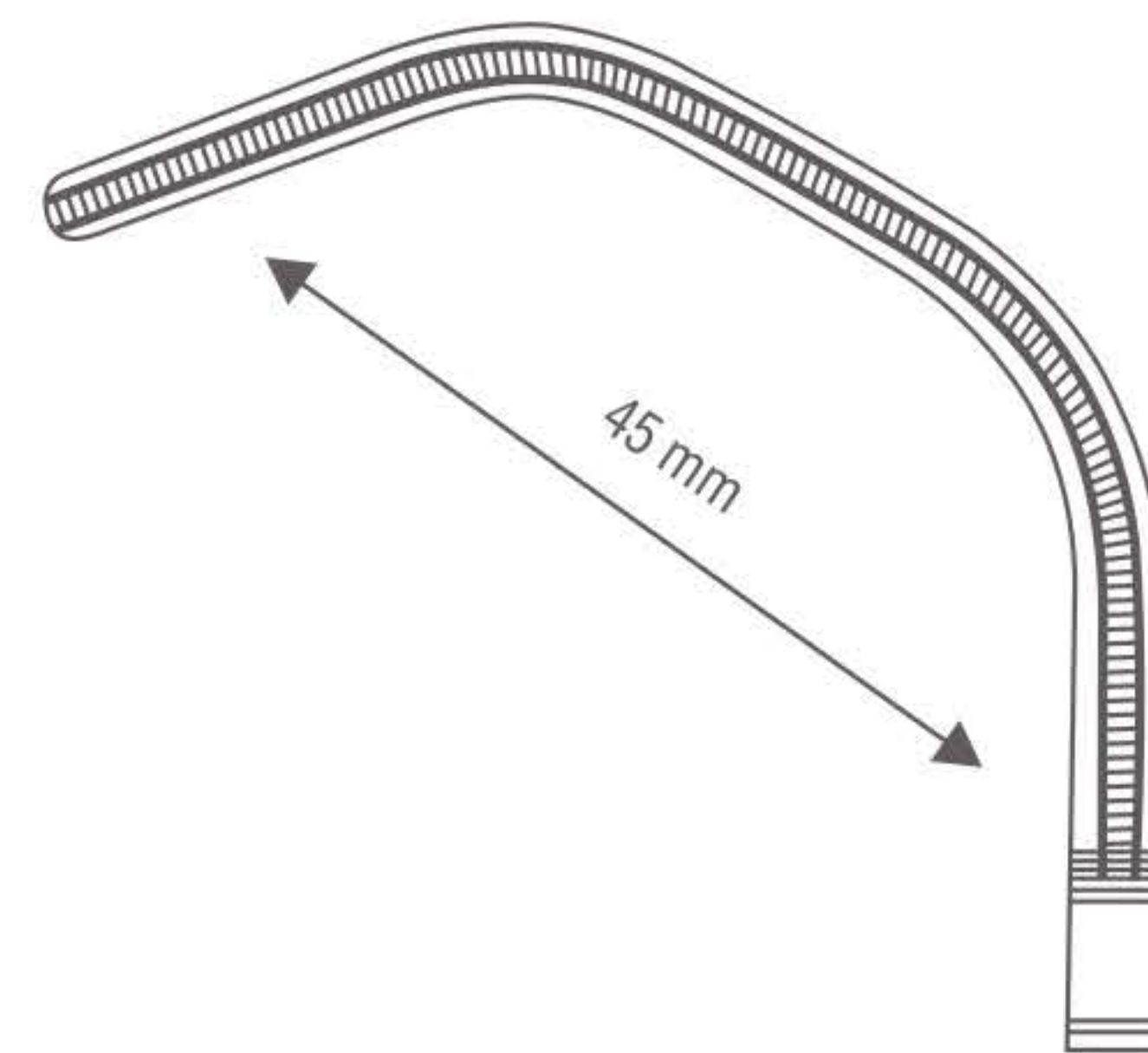
Catalog #	Size, Jaw
CV-311-21	21 cm (8 1/4"), 70 mm



Ochsner Atrauma Aortic Clamp

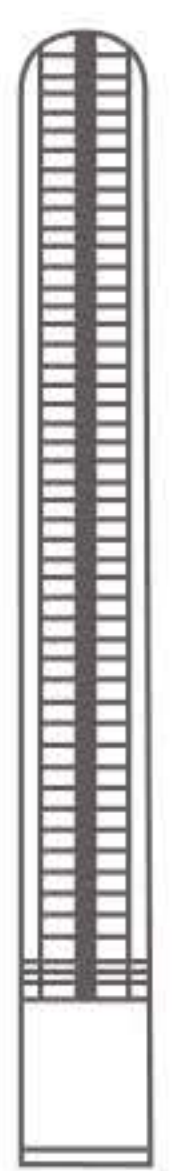
Catalog #	Size, Jaw
CV-315-23	26 cm (10 1/4"), 50 mm

Cardiovascular Clamps
 Kardiovaskuläre Klemmen
 Pinzas cardiovasculares
 Pincas cardiovasculaires
 Pinze cardiovascolari

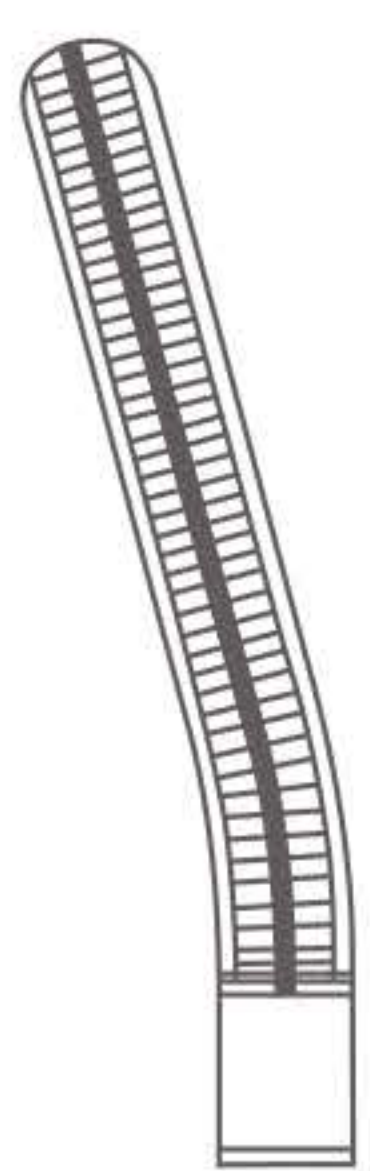


Diethrich Atrauma Aortic Clamp

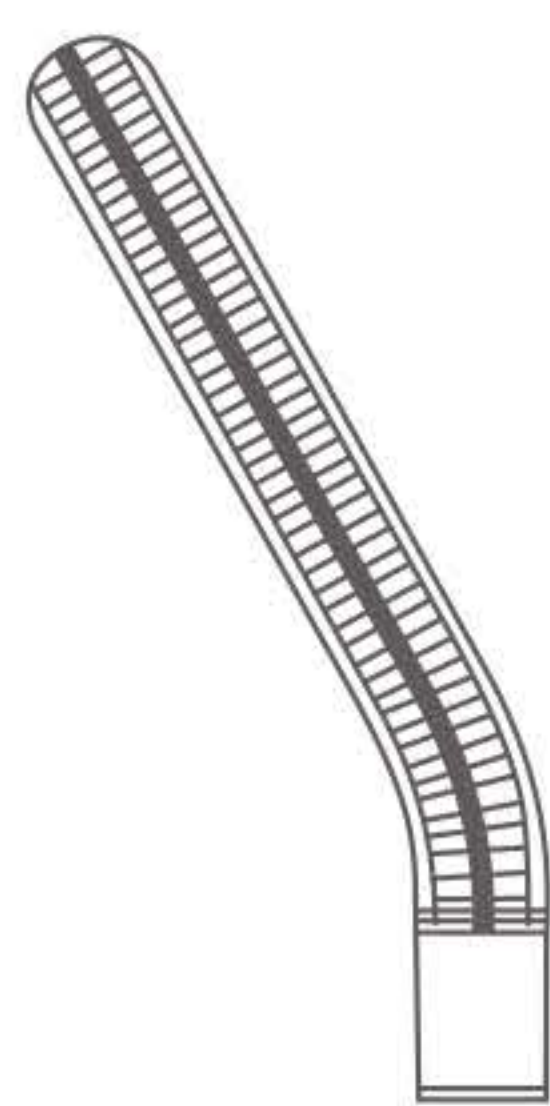
Catalog #	Size, Jaw
CV-317-22	22 cm (8 3/4"), 45 mm



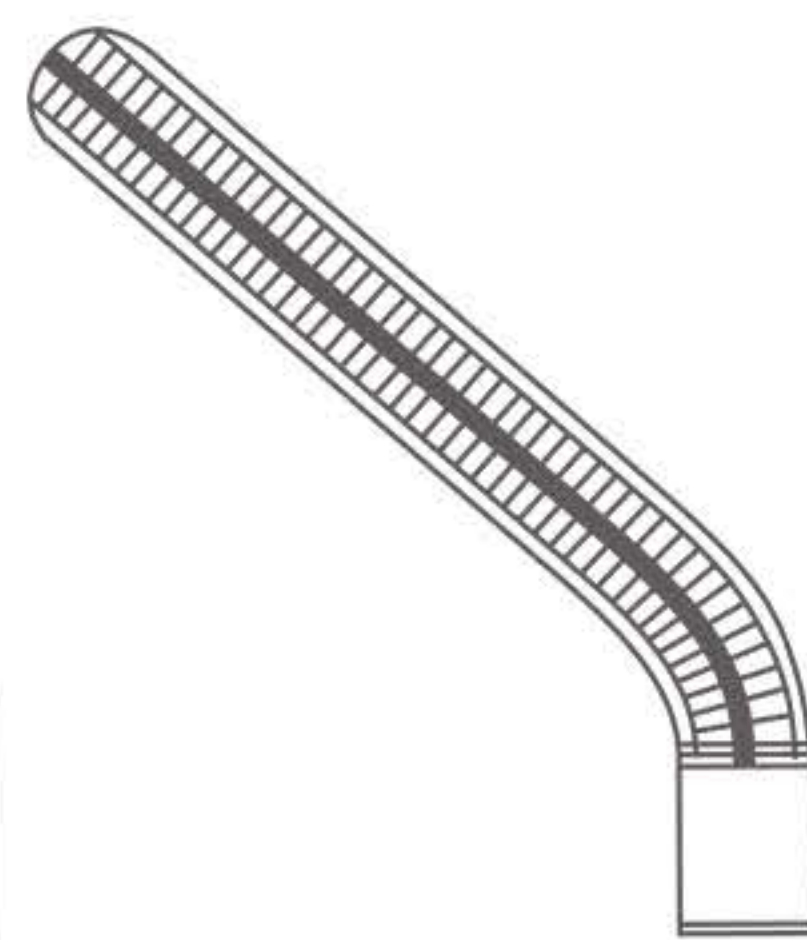
CV-321-01



CV-321-02



CV-321-03



CV-321-04



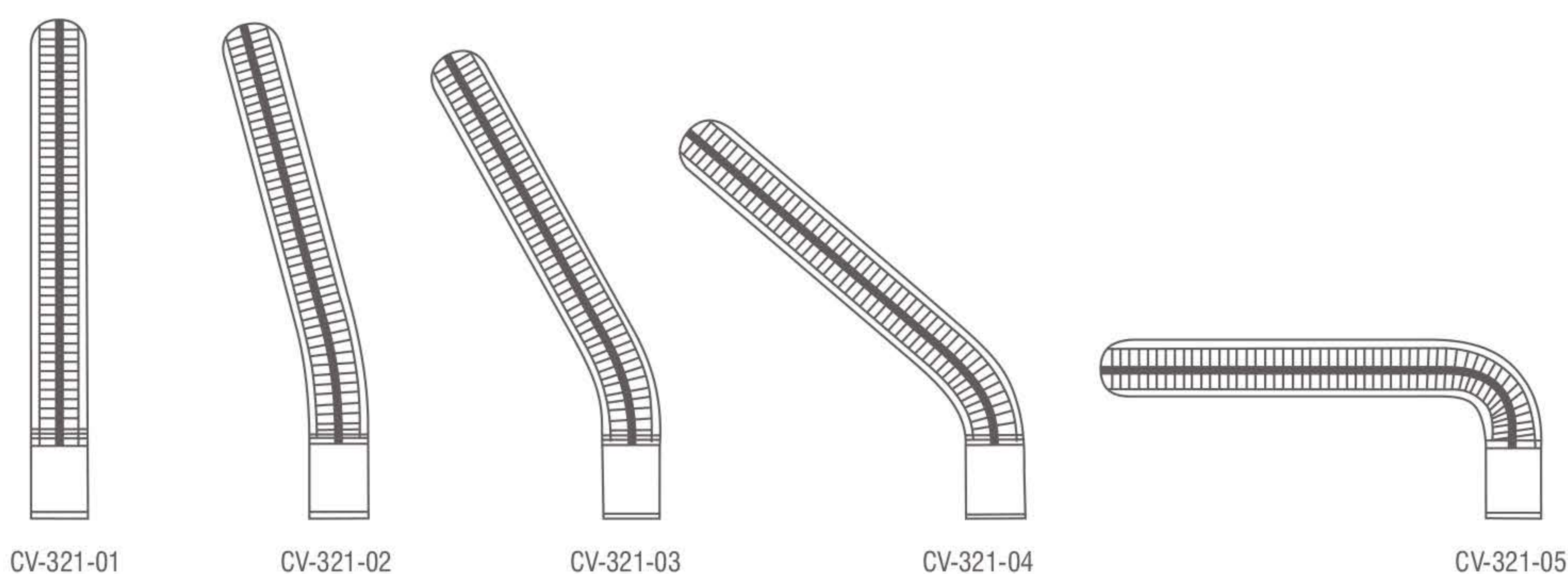
CV-321-05

Dardik Atrauma Multipurpose Vascular Clamp

Catalog #	Size, Jaw, Profile
CV-321-01	15 cm (6"), 30 mm, Straight
CV-321-02	15 cm (6"), 30 mm, Angled 15°
CV-321-03	15 cm (6"), 30 mm, Angled 30°
CV-321-04	15 cm (6"), 30 mm, Angled 45°
CV-321-05	15 cm (6"), 30 mm, Angled 90°

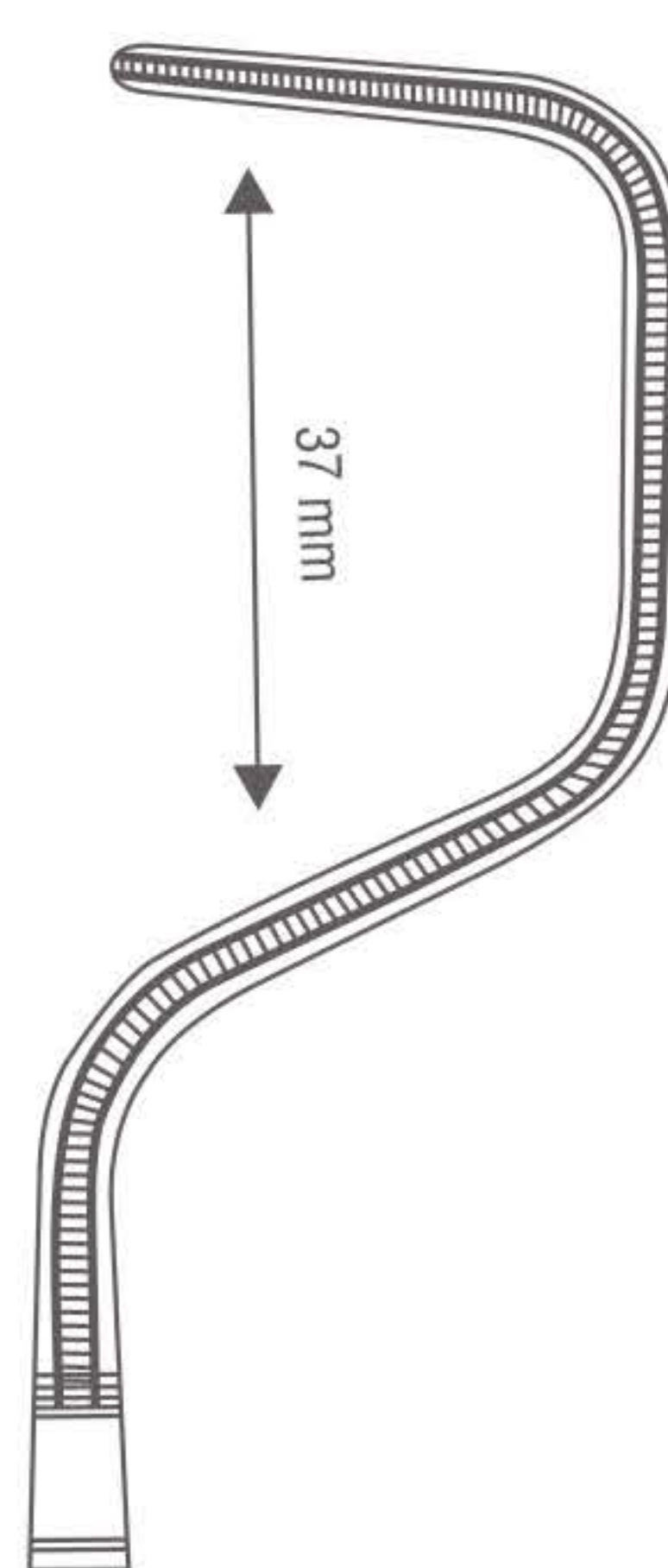


Cardiovascular Clamps
 Kardiovaskuläre Klemmen
 Pinzas cardiovasculares
 Pincas cardiovasculaires
 Pinze cardiovascolari



Dardik Atrauma Multipurpose Vascular Clamp

Catalog #	Size, Jaw, Profile
CV-321-01	17 cm (6 3/4"), 50 mm, Straight
CV-321-02	17 cm (6 3/4"), 50 mm, Angled 15°
CV-321-03	17 cm (6 3/4"), 50 mm, Angled 30°
CV-321-04	17 cm (6 3/4"), 50 mm, Angled 45°
CV-321-05	17 cm (6 3/4"), 50 mm, Angled 90°

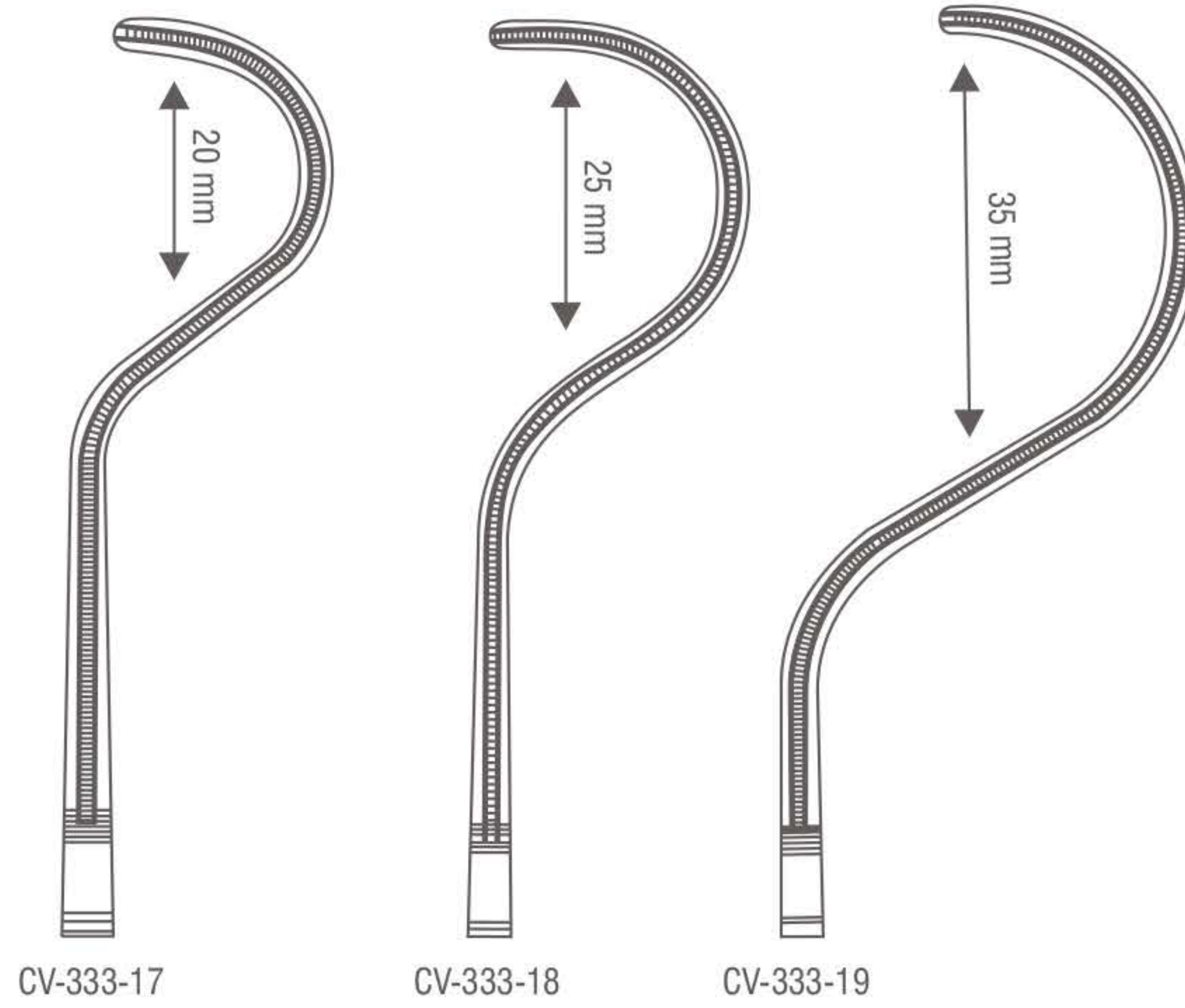


Dale Atrauma Peripheral Vascular Clamp

Catalog #	Size, Jaw
CV-331-18	18 cm (7"), 37 mm

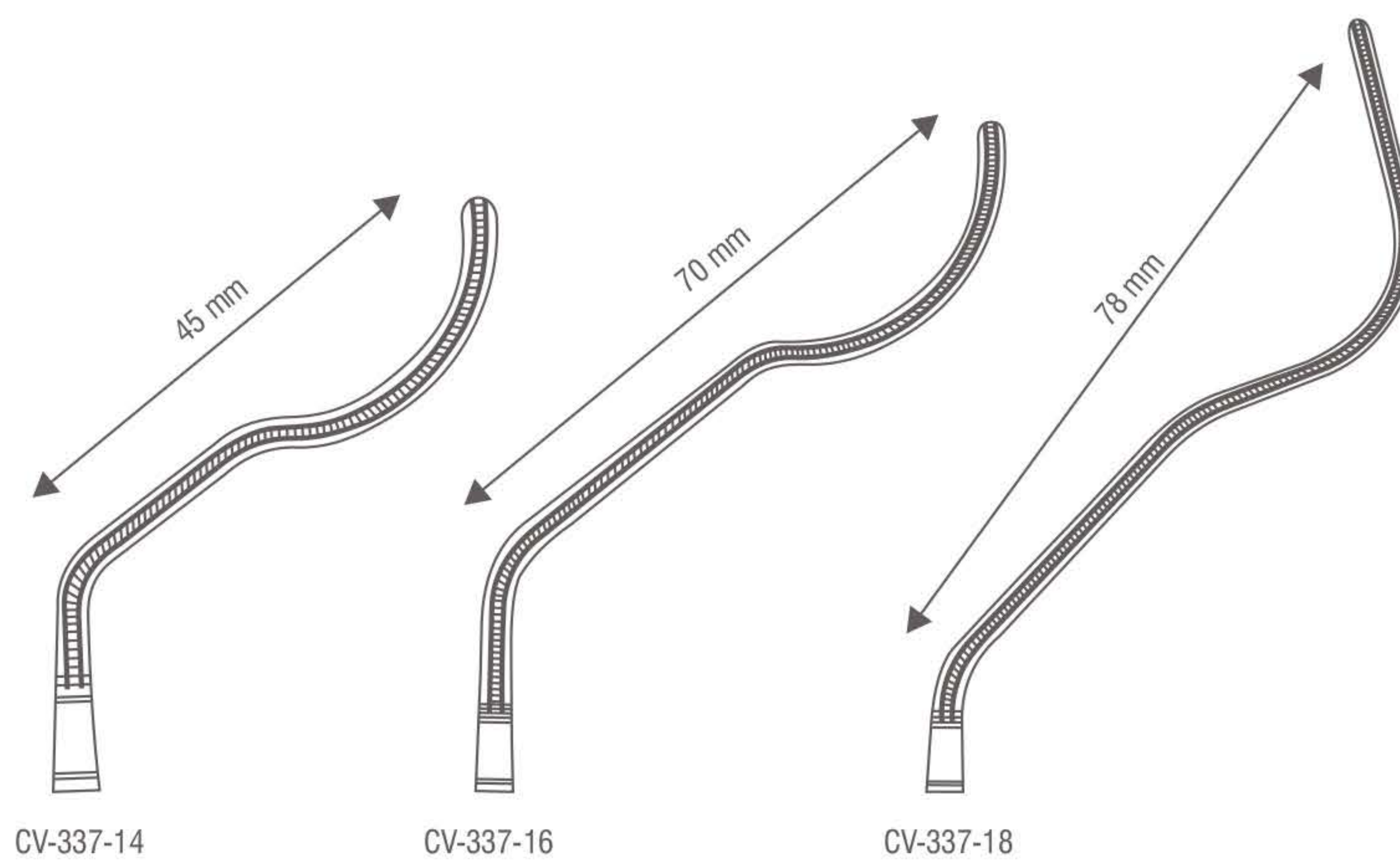


Cardiovascular Clamps
 Kardiovaskuläre Klemmen
 Pinzas cardiovasculares
 Pincas cardiovasculaires
 Pinze cardiovascolari



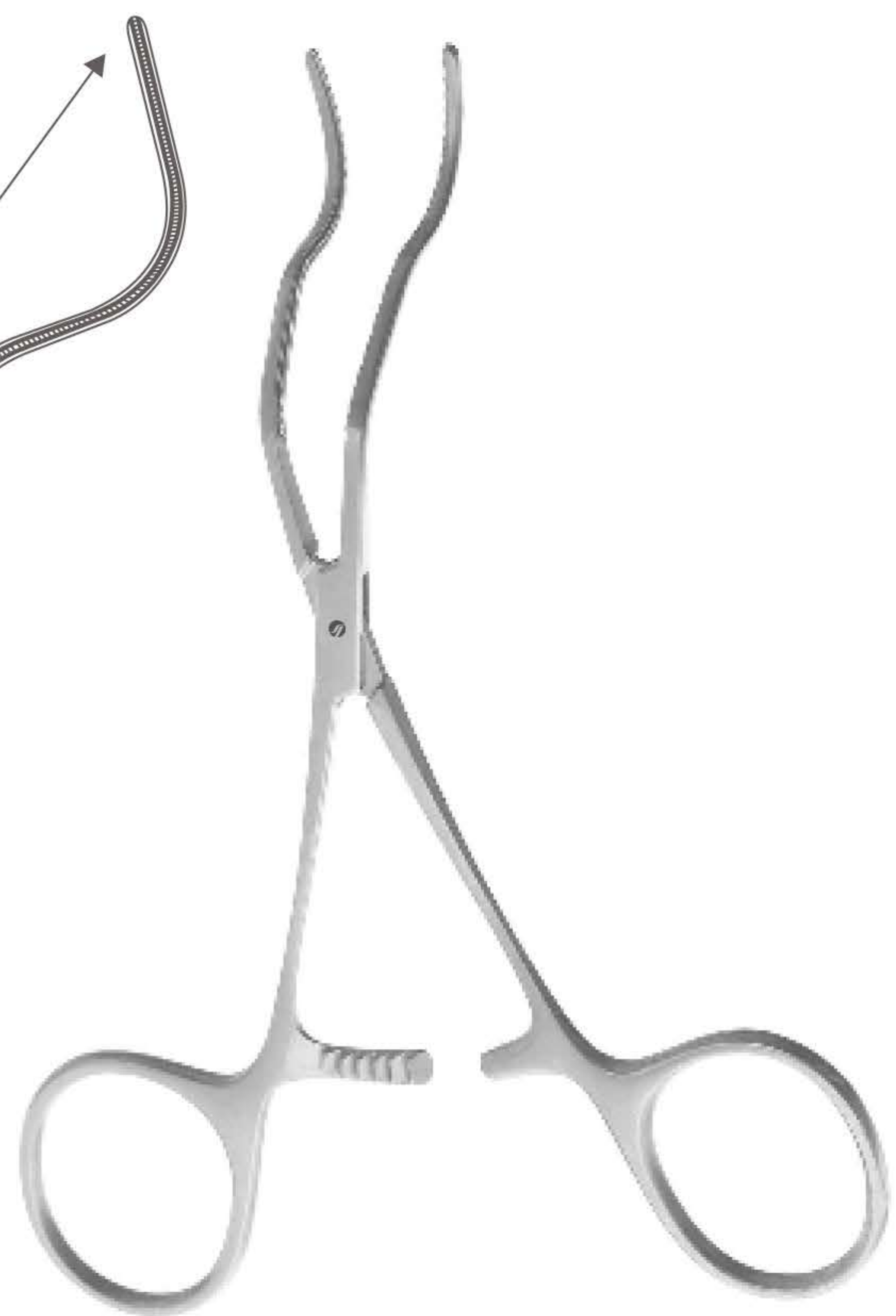
Dale Atrauma Peripheral Vascular Clamp

Catalog #	Size, Jaw
CV-333-17	17.5 cm (7"), 20 mm
CV-333-18	18 cm (7"), 25 mm
CV-333-19	18.5 cm (7 1/4"), 35 mm



Gregory Atrauma Profunda Clamp

Catalog #	Size, Jaw
CV-337-14	13 cm (5"), 45 mm
CV-337-16	16 cm (6 1/4"), 70 mm
CV-337-18	18 cm (7"), 78 mm



Cardiovascular Clamps
 Kardiovaskuläre Klemmen
 Pinzas cardiovasculares
 Pincas cardiovasculaires
 Pinze cardiovascolari



Javid Carotid Shunt Clamp

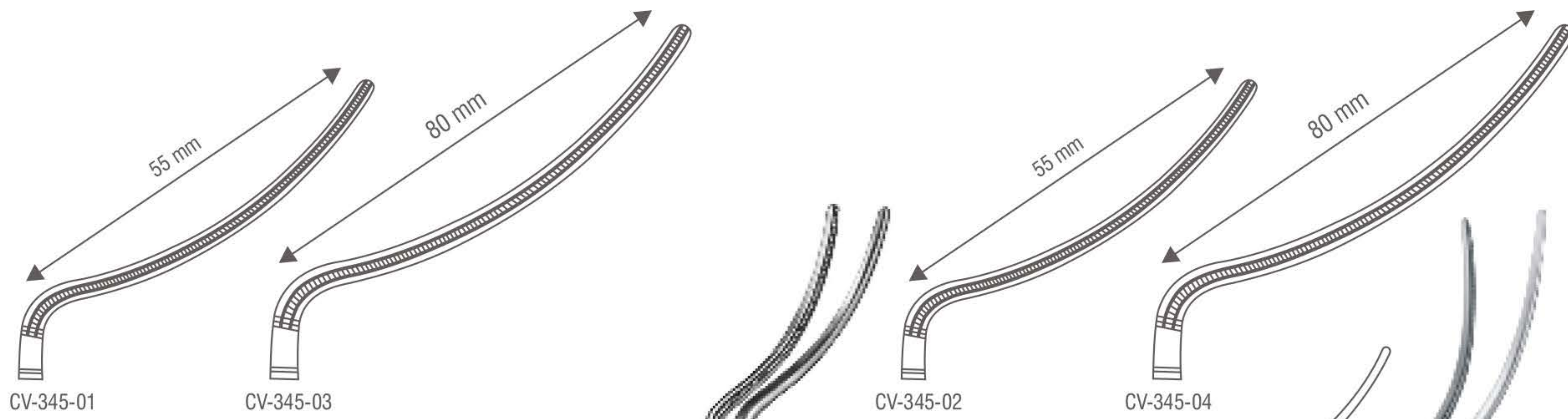
Catalog #	Size
CV-341-18	17.5 cm (7")
CV-341-19	18 cm (7")

Cooley Catheter Clamp

Catalog #	Size, Diameter
CV-343-24	16 cm (6 1/4"), Ø 24 Charr.
CV-343-26	16 cm (6 1/4"), Ø 26 Charr.
CV-343-28	20 cm (8"), Ø 28 Charr.
CV-343-30	20 cm (8"), Ø 30 Charr.
CV-343-32	20 cm (8"), Ø 32 Charr.
CV-343-36	20 cm (8"), Ø 36 Charr.

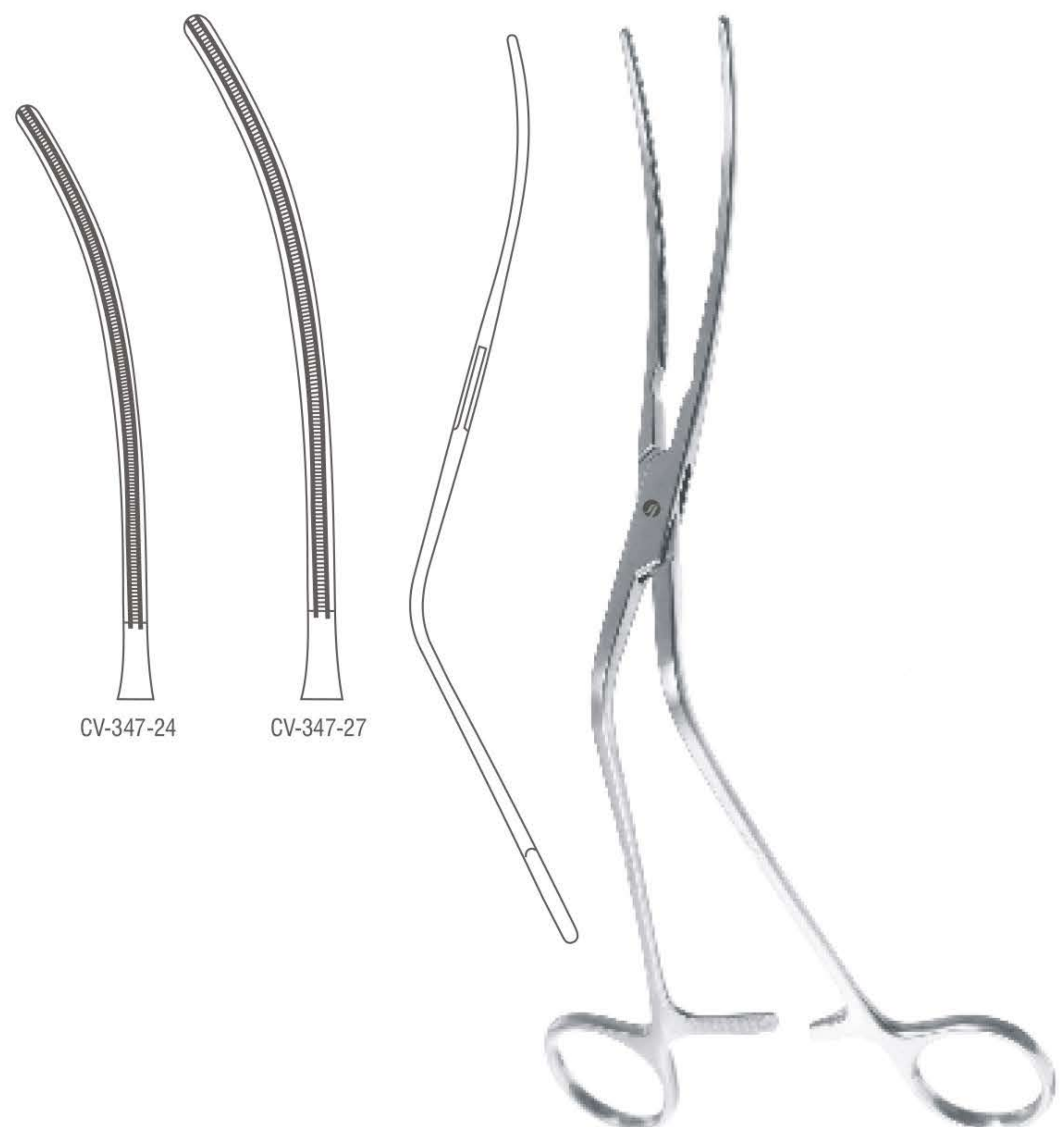
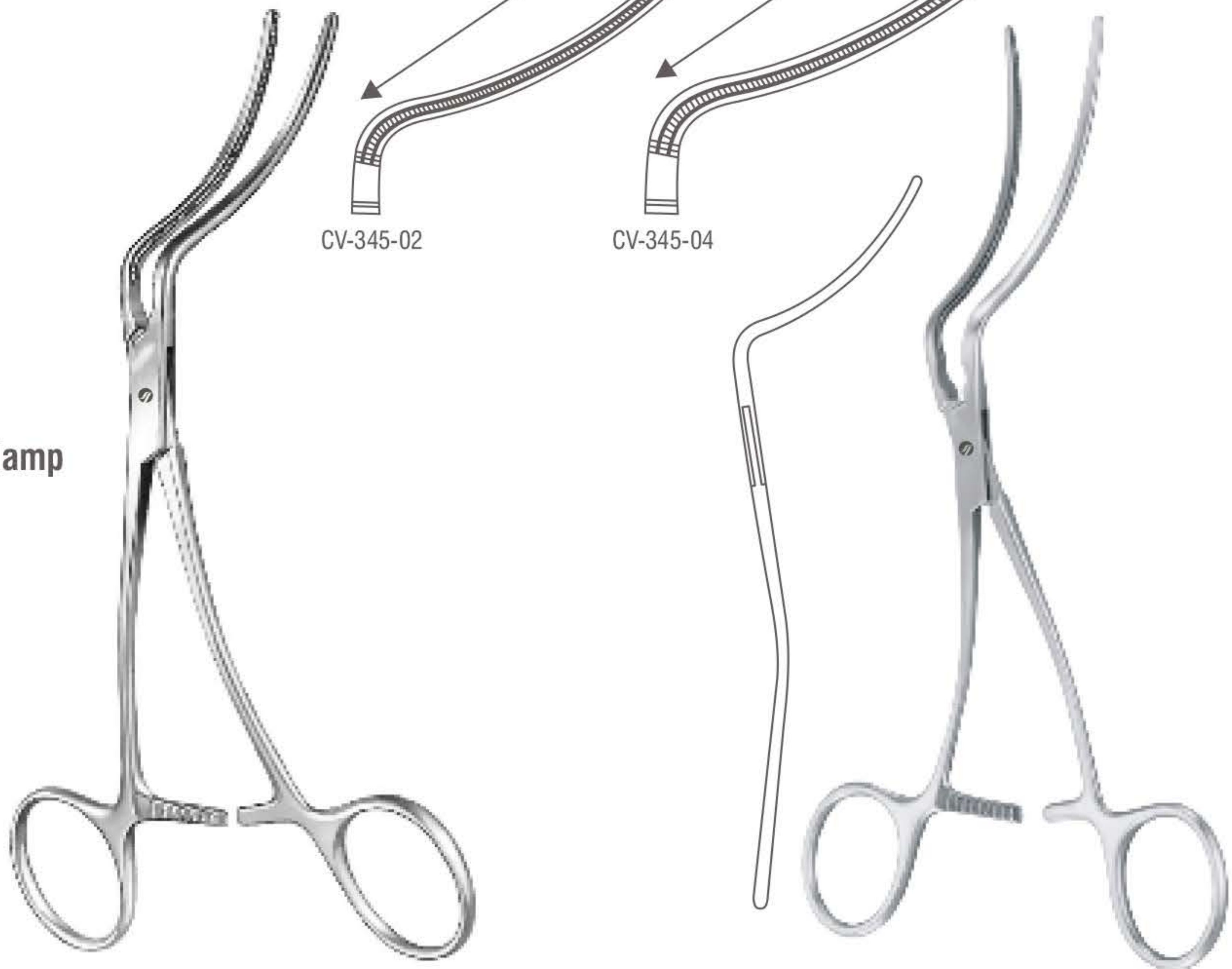


Cardiovascular Clamps
 Kardiovaskuläre Klemmen
 Pinzas cardiovasculares
 Pincès cardiovasculaires
 Pinze cardiovascolari



DeBakey-Wylie Atrauma Peripheral Vascular Clamp

Catalog #	Size, Jaw
CV-345-01	16 cm (6 1/4"), 55 mm
CV-345-02	16.5 cm (6 1/2"), 55 mm
CV-345-03	18 cm (7"), 80 mm
CV-345-04	19.5 cm (7 3/4"), 80 mm



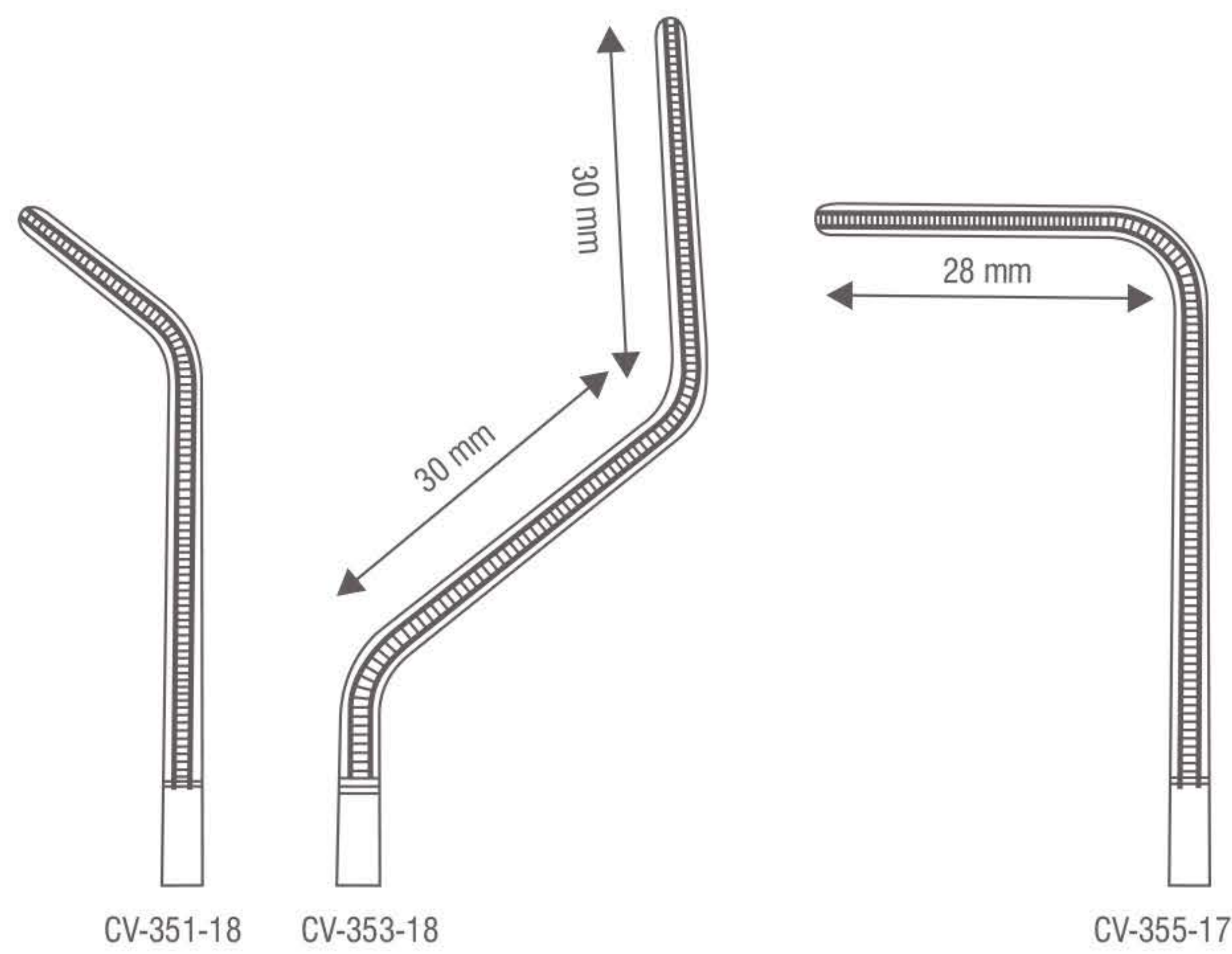
Wylie Atrauma Aortic Clamp

Catalog #	Size
CV-347-24	24 cm (9 1/2")
CV-347-27	27 cm (10 1/2")

Cardiovascular Clamps
 Kardiovaskuläre Klemmen
 Pinzas cardiovasculares
 Pincas cardiovasculaires
 Pinze cardiovascolari

DeBakey Atrauma Aortic Clamp

Catalog #	Size, Jaw
CV-349-30	30 cm (11 3/4"), 115 mm

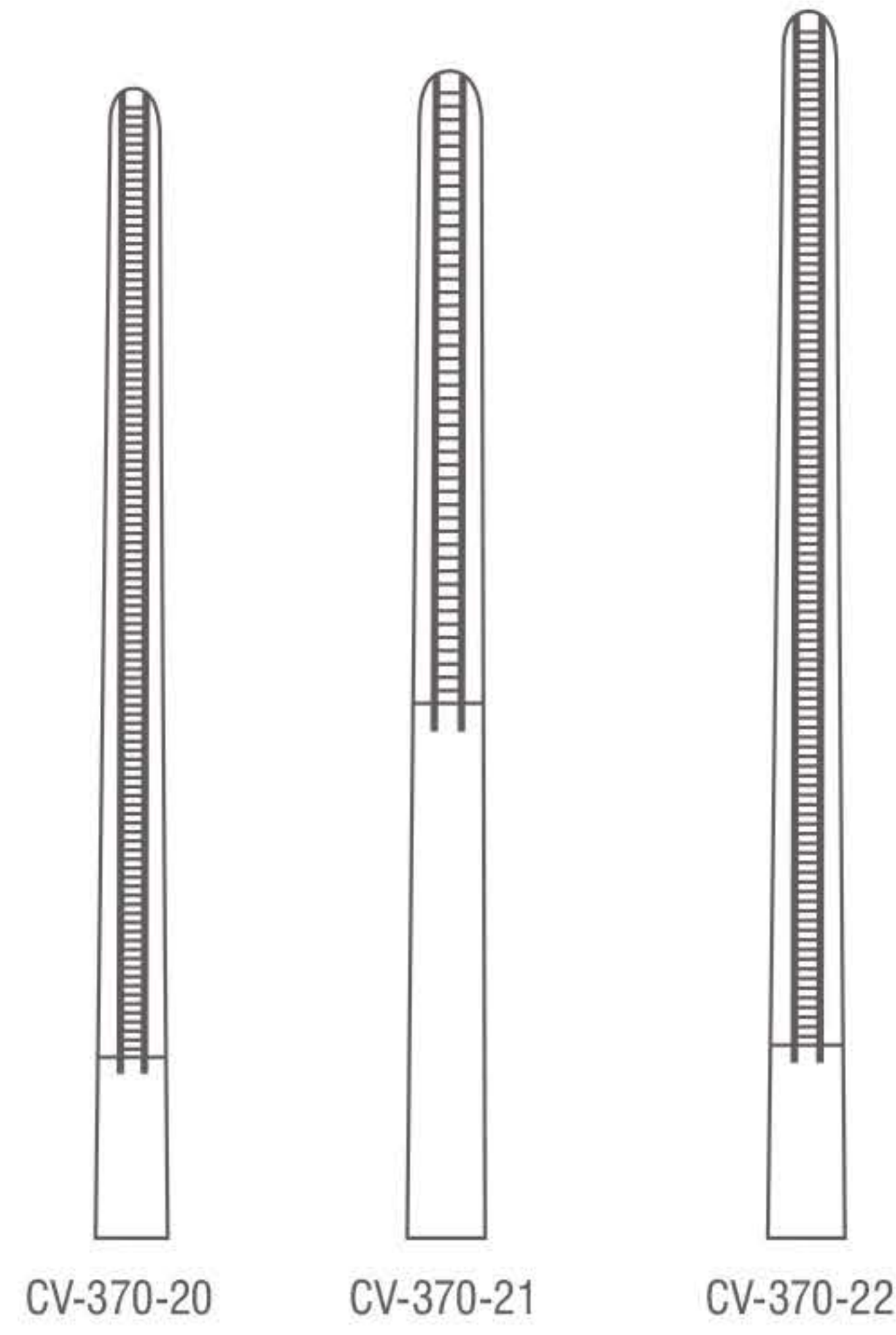


Husfeldt Atrauma Peripheral Vascular Clamp

Catalog #	Size, Jaw
CV-351-18	17.5 cm (7"), 48 mm
CV-353-18	18 cm (7"), 30 mm, 30 mm
CV-355-17	17 cm (6 3/4"), 28 mm

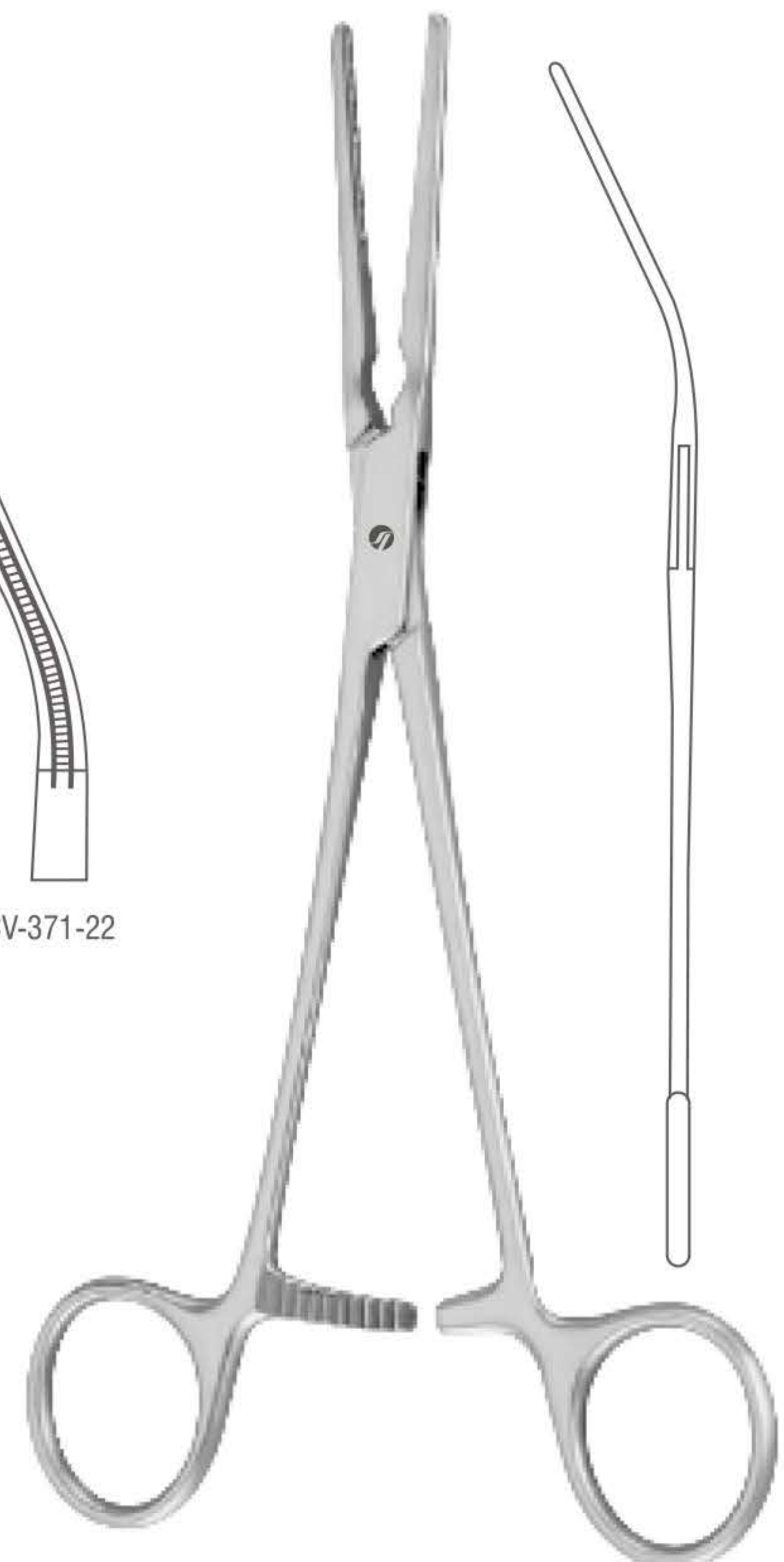
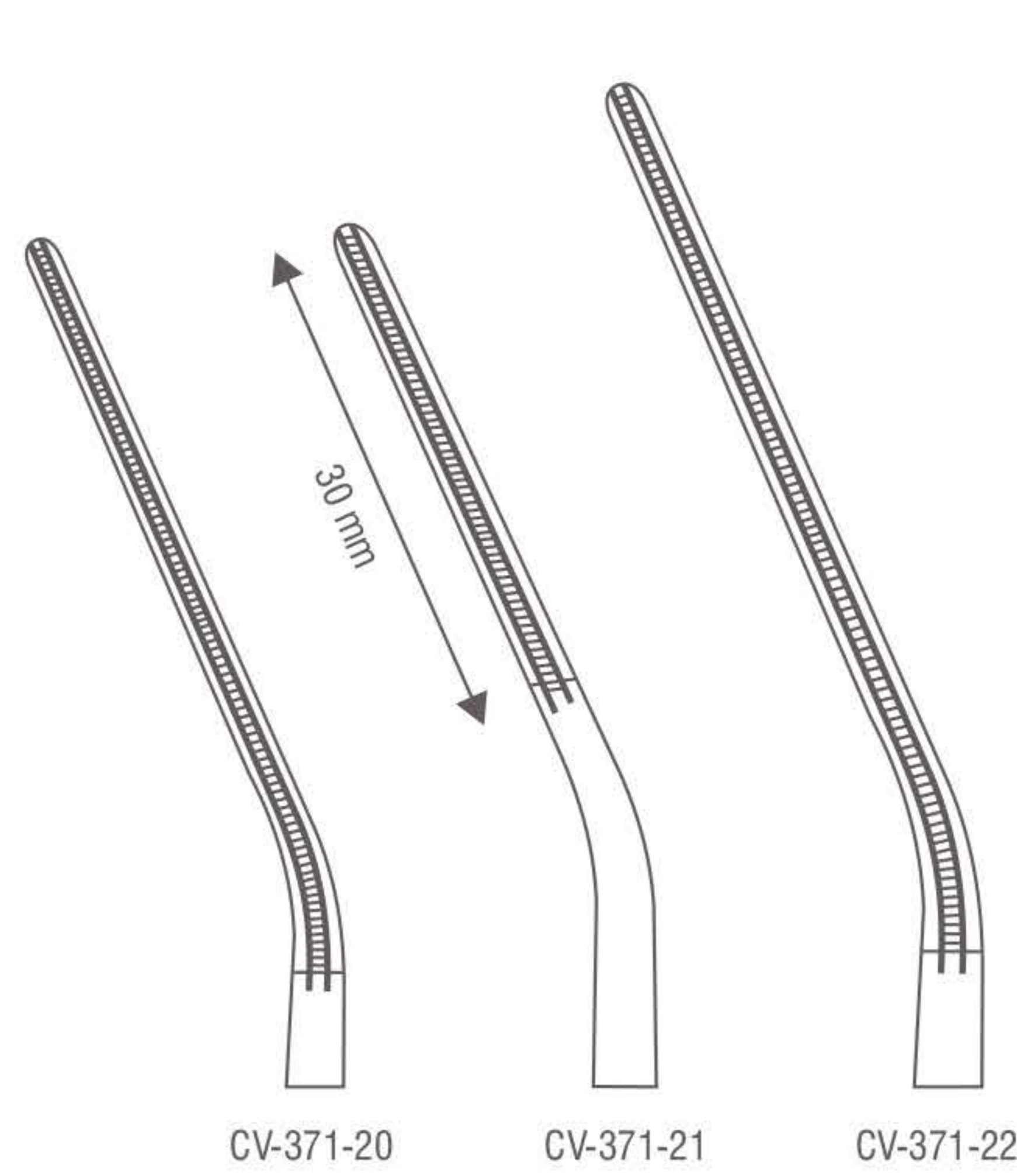


Cardiovascular Clamps
 Kardiovaskuläre Klemmen
 Pinzas cardiovasculares
 Pinces cardiovasculaires
 Pinze cardiovascolari



Potts Atrauma Coarctation Clamp

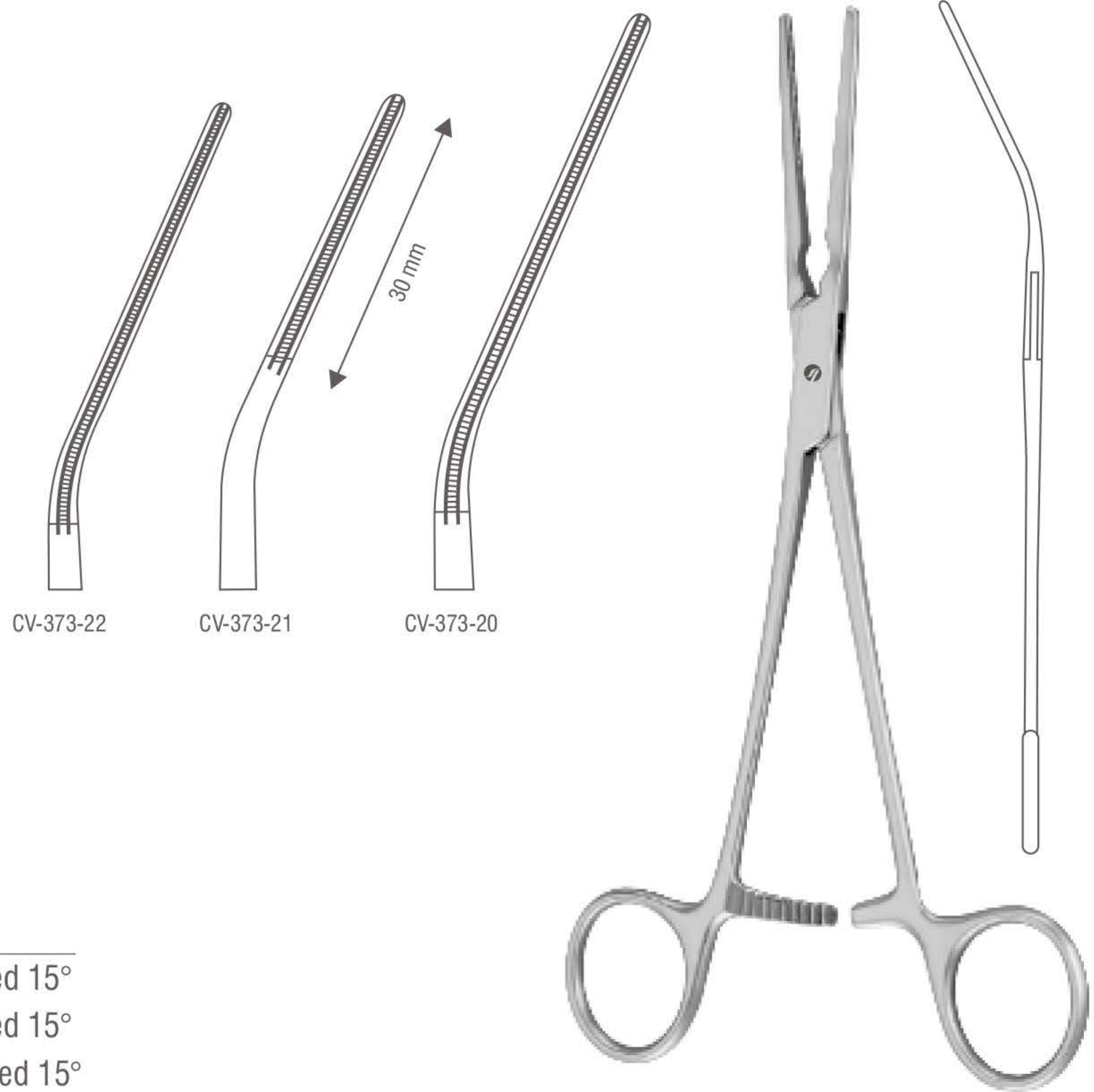
Catalog #	Size, Jaw, Profile
CV-370-20	20.5 cm (8"), 41 mm, Straight
CV-370-21	21 cm (8 1/4"), 30 mm, Straight
CV-370-22	22.5 cm (8 3/4"), 55 mm, Straight



Potts Atrauma Coarctation Clamp

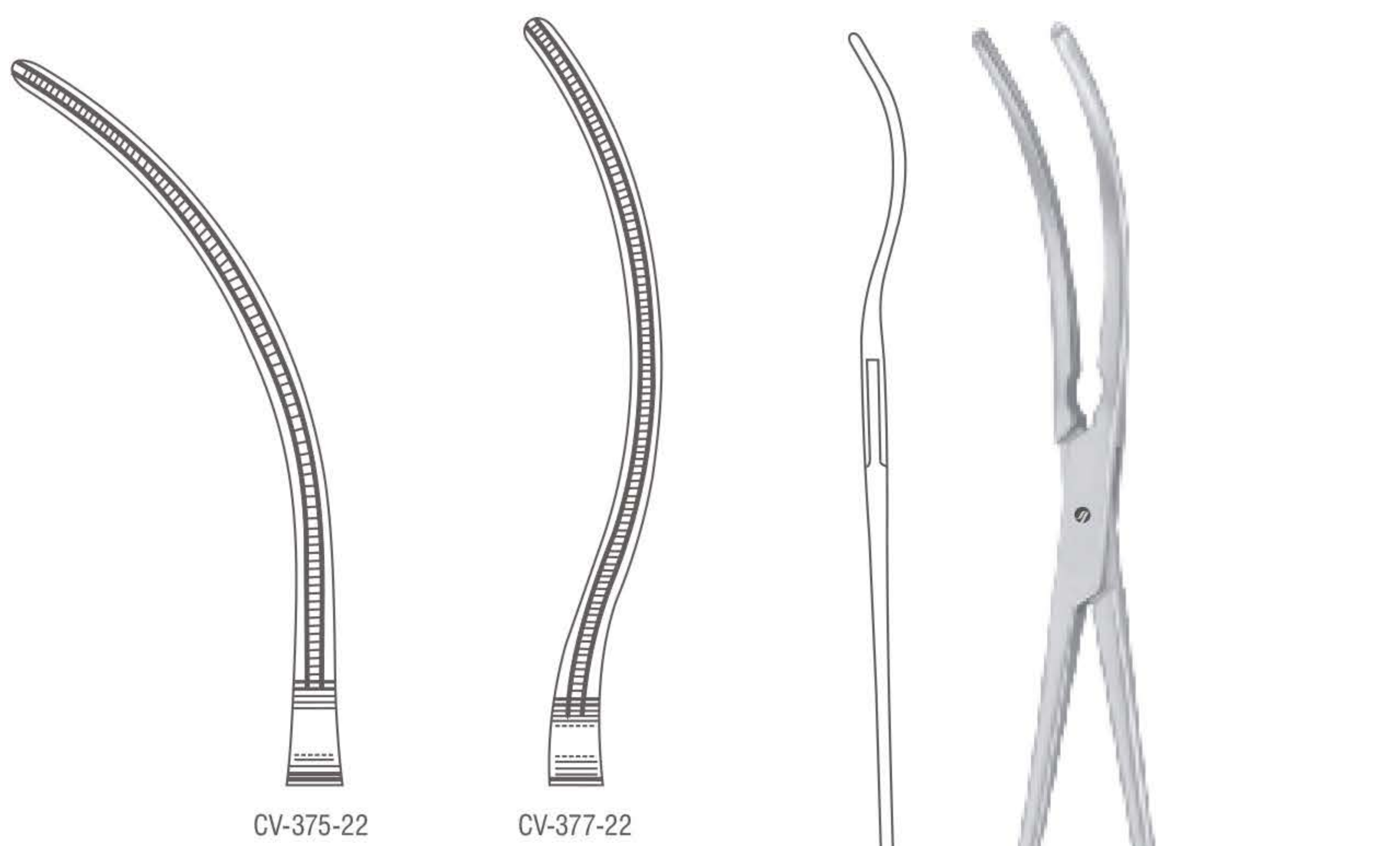
Catalog #	Size, Jaw, Profile
CV-371-20	20.5 cm (8"), 41 mm, Angled 15°
CV-371-21	20.5 cm (8"), 30 mm, Angled 15°
CV-371-22	22 cm (8 3/4"), 55 mm, Angled 15°

Cardiovascular Clamps
 Kardiovaskuläre Klemmen
 Pinzas cardiovasculares
 Pincas cardiovasculaires
 Pinze cardiovascolari



Potts Atrauma Coarctation Clamp

Catalog #	Size, Jaw, Profile
CV-373-20	20.5 cm (8"), 41 mm, Angled 15°
CV-373-21	20.5 cm (8"), 30 mm, Angled 15°
CV-373-22	22 cm (8 3/4"), 55 mm, Angled 15°



Potts Atrauma Anastomosis Clamp

Catalog #	Size, Jaw, Profile
CV-375-22	21.5 cm (8 1/2"), 65 mm, Curved
CV-377-22	22 cm (8 3/4"), 60 mm, Curved

Cardiovascular Clamps
 Kardiovaskuläre Klemmen
 Pinzas cardiovasculares
 Pincès cardiovasculaires
 Pinze cardiovascolari



DeBakey Atrauma Dissecting and Ligature Forcep

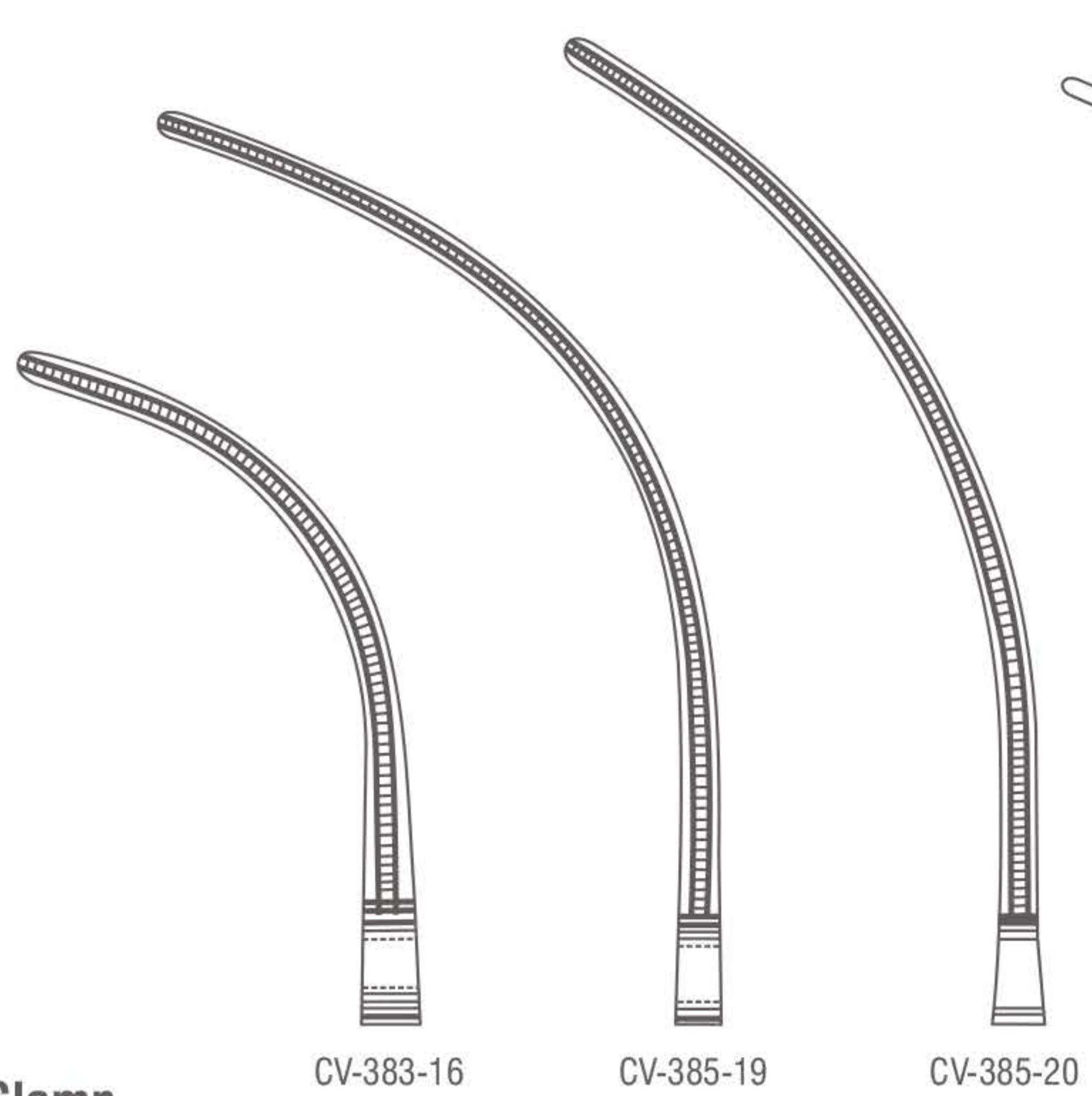
Catalog #	Size, Jaw
CV-379-21	21 cm (8 ¼"), 51 mm
CV-379-23	23 cm (9"), 75 mm



DeBakey Atrauma Dissecting and Ligature Forcep

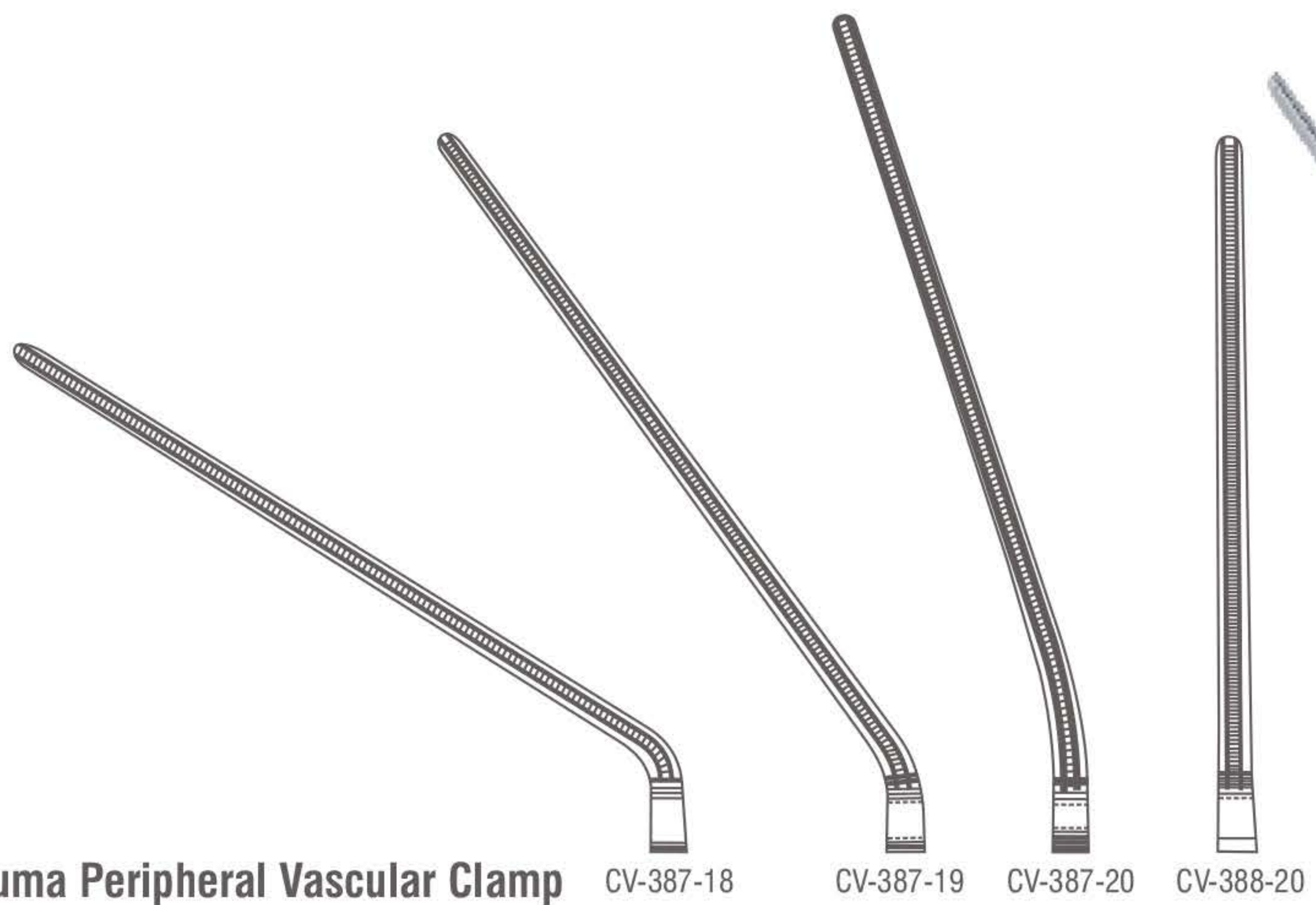
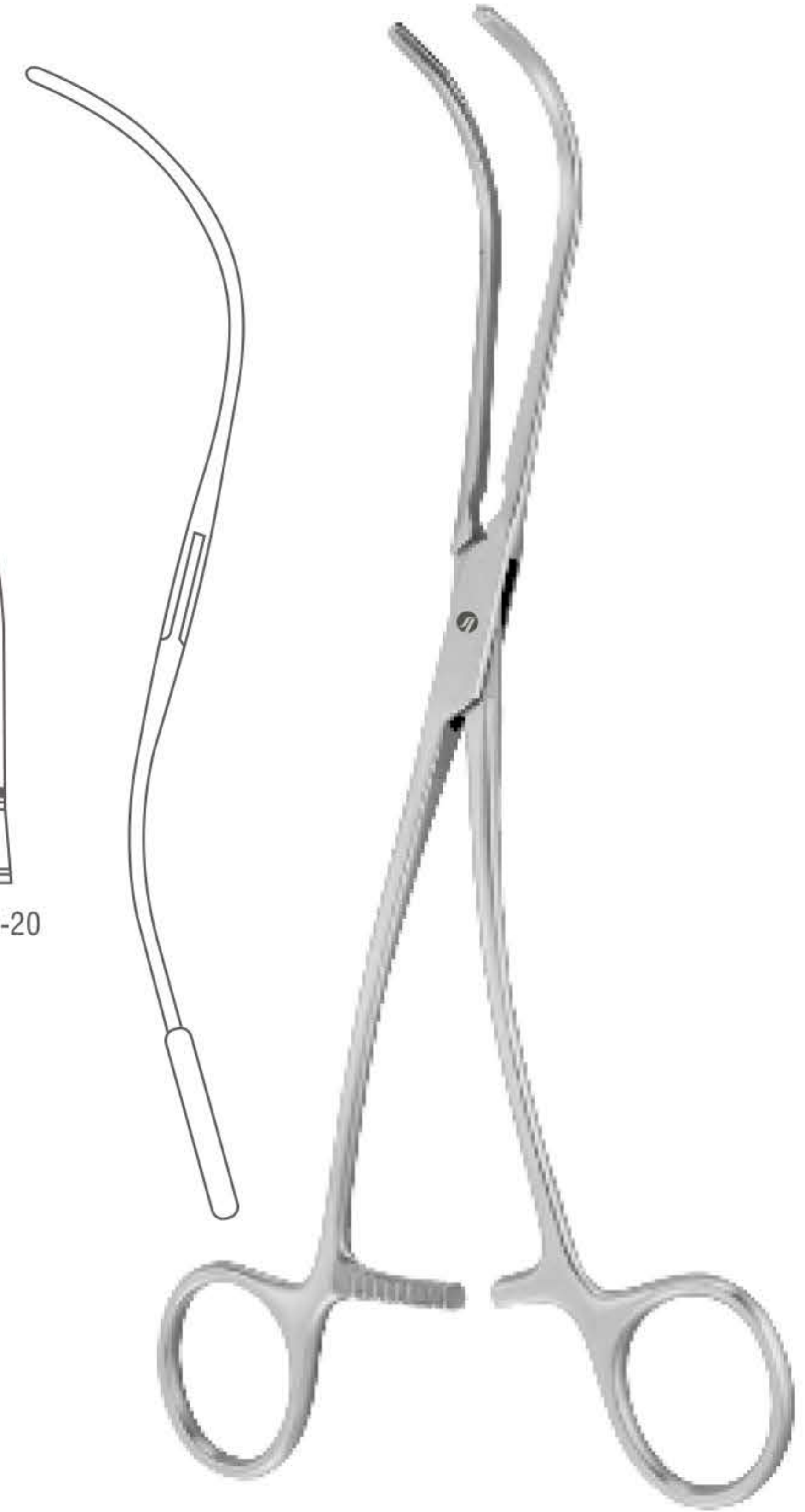
Catalog #	Size, Jaw
CV-381-19	19 cm (7 ½"), 77 mm
CV-381-23	24 cm (9 ½"), 180 mm

Cardiovascular Clamps
 Kardiovaskuläre Klemmen
 Pinzas cardiovasculares
 Pincas cardiovasculaires
 Pinze cardiovascolari



DeBakey Atrauma Peripheral Vascular Clamp

Catalog #	Size, Jaw
CV-383-16	16 cm (6 1/4"), 56 mm
CV-385-19	19 cm (7 1/2"), 90 mm
CV-385-20	19.5 cm (7 3/4"), 92 mm

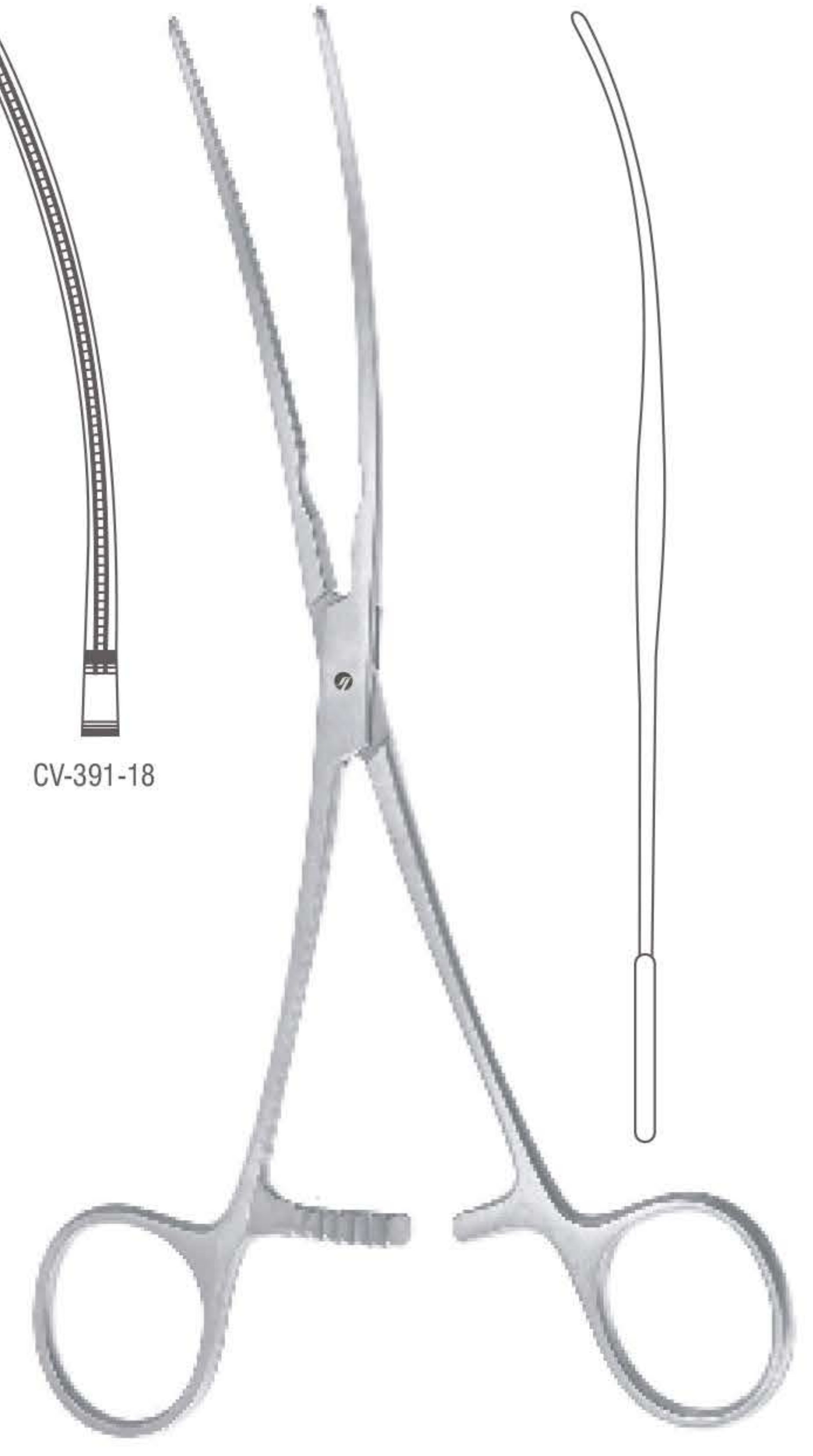
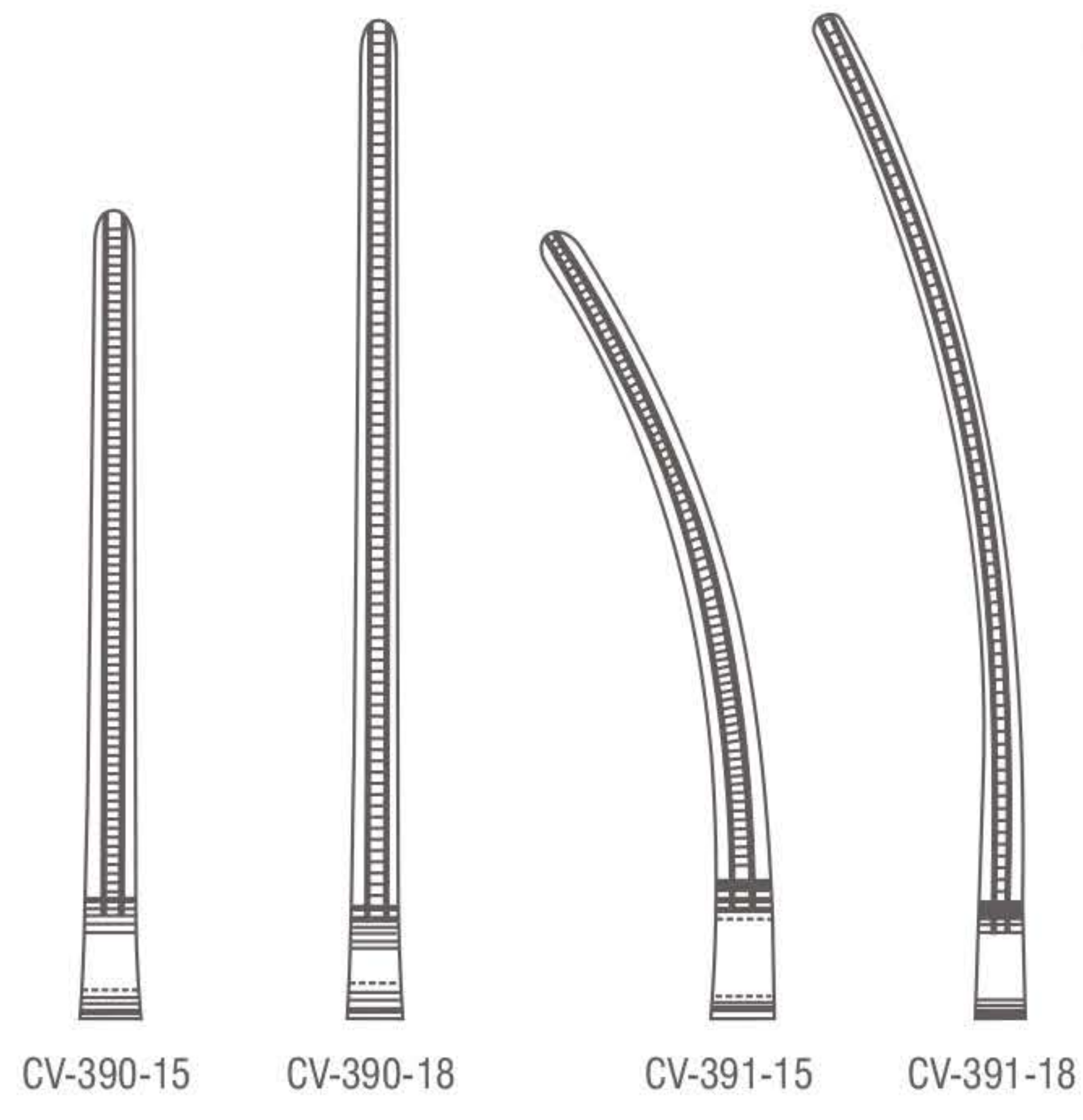


Leland-Jones Atrauma Peripheral Vascular Clamp

Catalog #	Size, Jaw, Profile
CV-387-18	18 cm (7"), 77 mm, Angled 60°
CV-387-19	18.5 cm (7 1/4"), 77 mm, Angled 30°
CV-387-20	19.5 cm (7 3/4"), 77 mm, Angled 15°
CV-388-20	19.5 cm (7 3/4"), 77 mm, Straight

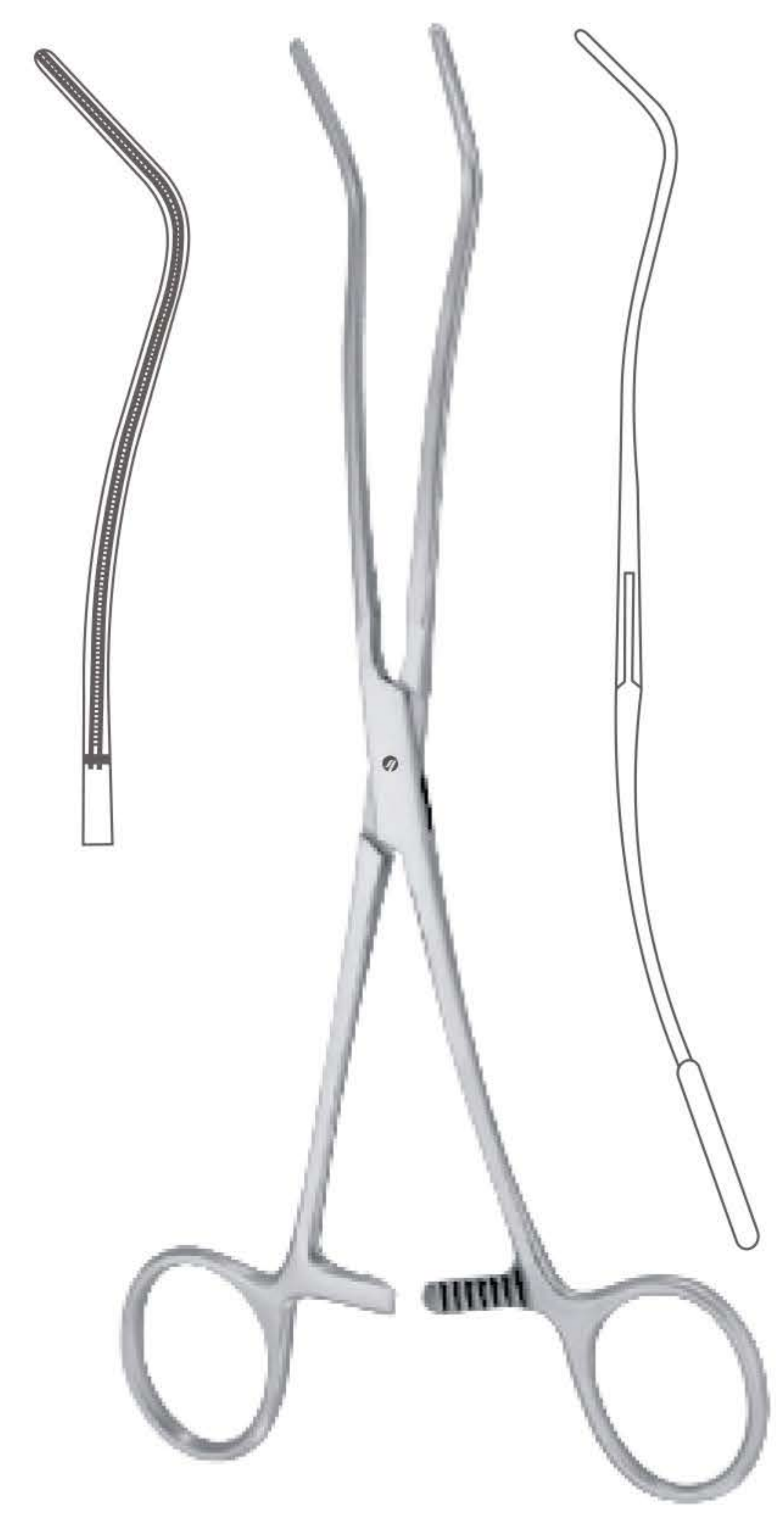


Cardiovascular Clamps
 Kardiovaskuläre Klemmen
 Pinzas cardiovasculares
 Pincès cardiovasculaires
 Pinze cardiovascolari



Bainbridge Atrauma Multipurpose Vascular Clamp

Catalog #	Size, Jaw
CV-390-15	15 cm (6"), 40 mm
CV-390-18	18.5 cm (7 1/4"), 65 mm
CV-391-15	15 cm (6"), 40 mm
CV-391-18	18.5 cm (7 1/4"), 65 mm



DeBakey Atrauma Multipurpose Vascular Clamp

Catalog #	Size, Jaw
CV-393-20	20 cm (8"), 180 mm

Cardiovascular Clamps
 Kardiovaskuläre Klemmen
 Pinzas cardiovasculares
 Pincas cardiovasculaires
 Pinze cardiovascolari

DeBakey Atrauma Aortic Aneurysm Clamp



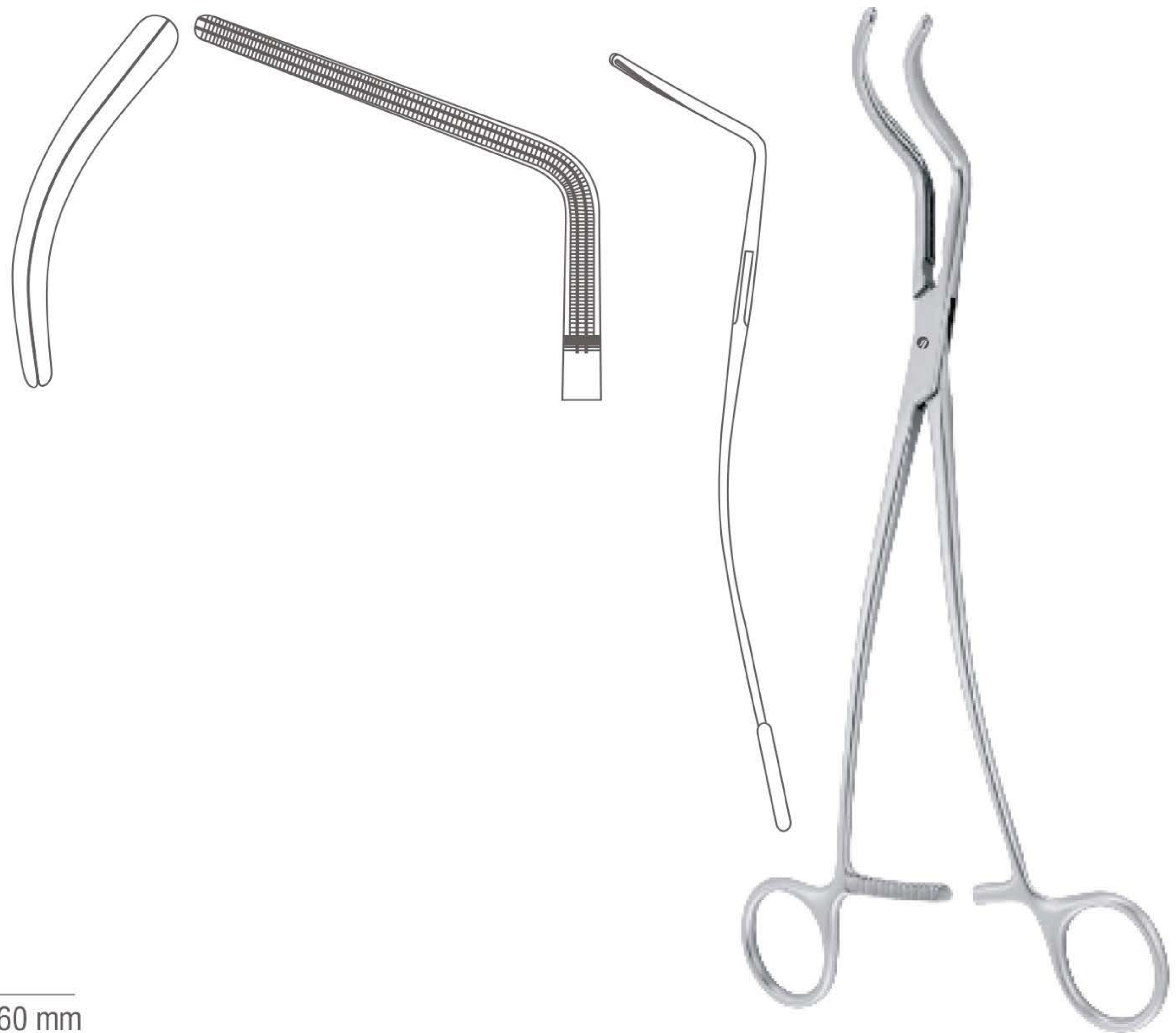
Catalog #	Size, Jaw Length
CV-395-26	26 cm (10 1/4"), 95 mm
CV-395-27	30 cm (12"), 110 mm
CV-395-31	31 cm (12 1/4"), 130 mm
CV-395-33	33 cm (13"), 140 mm
CV-397-28	28 cm (11"), 90 mm

DeBakey Atrauma Aortic Aneurysm Clamp



Catalog #	Size, Jaw Length
CV-399-30	30 cm (11 3/4"), 115 mm

Cardiovascular Clamps
 Kardiovaskuläre Klemmen
 Pinzas cardiovasculares
 Pinces cardiovasculaires
 Pinze cardiovascolari



DeBakey Atrauma Aortic Clamp
 Angled 70°

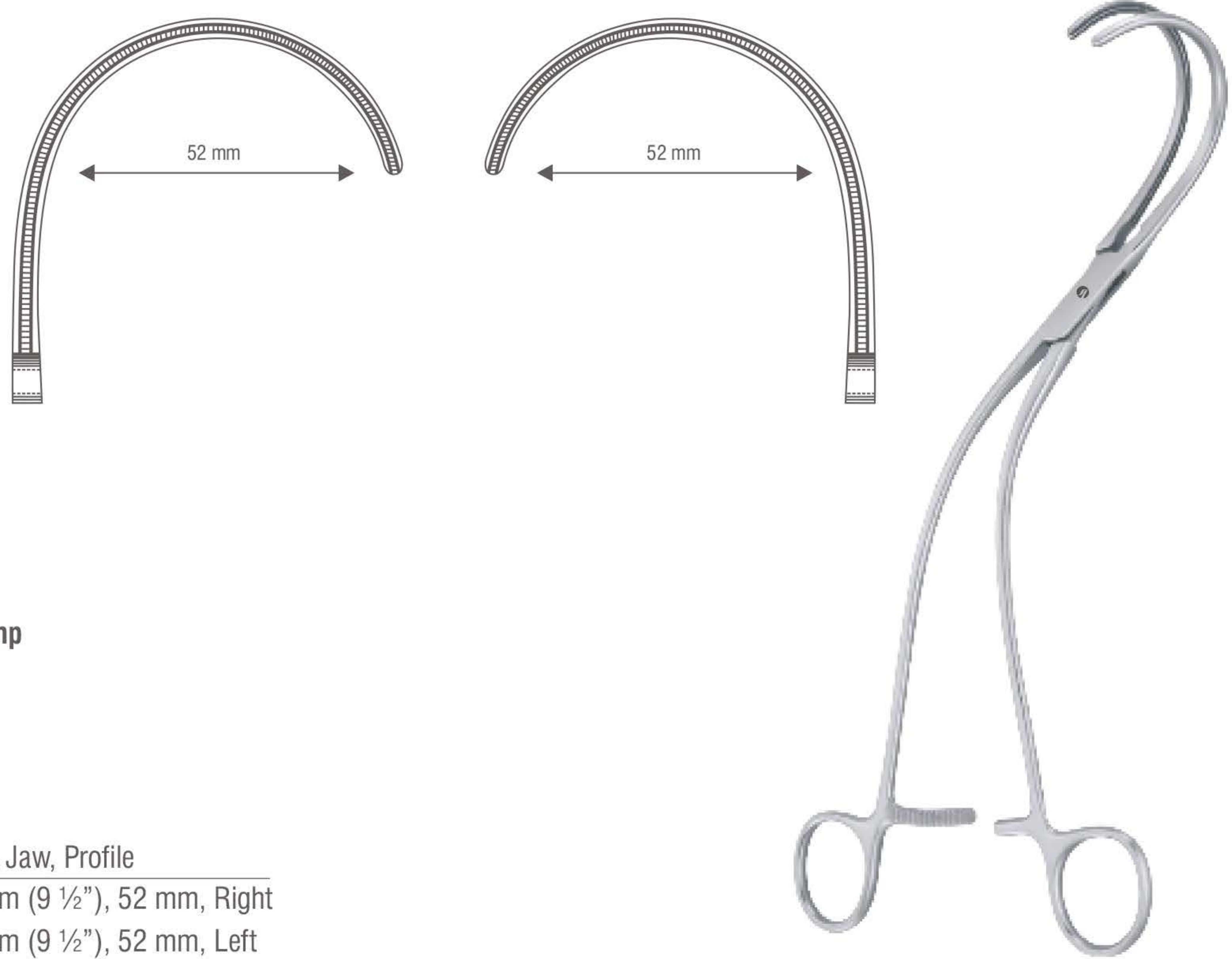
Catalog #	Size, Jaw Length
CV-401-27	27 cm (10 3/4"), 60 mm



DeBakey Atrauma Aortic Clamp

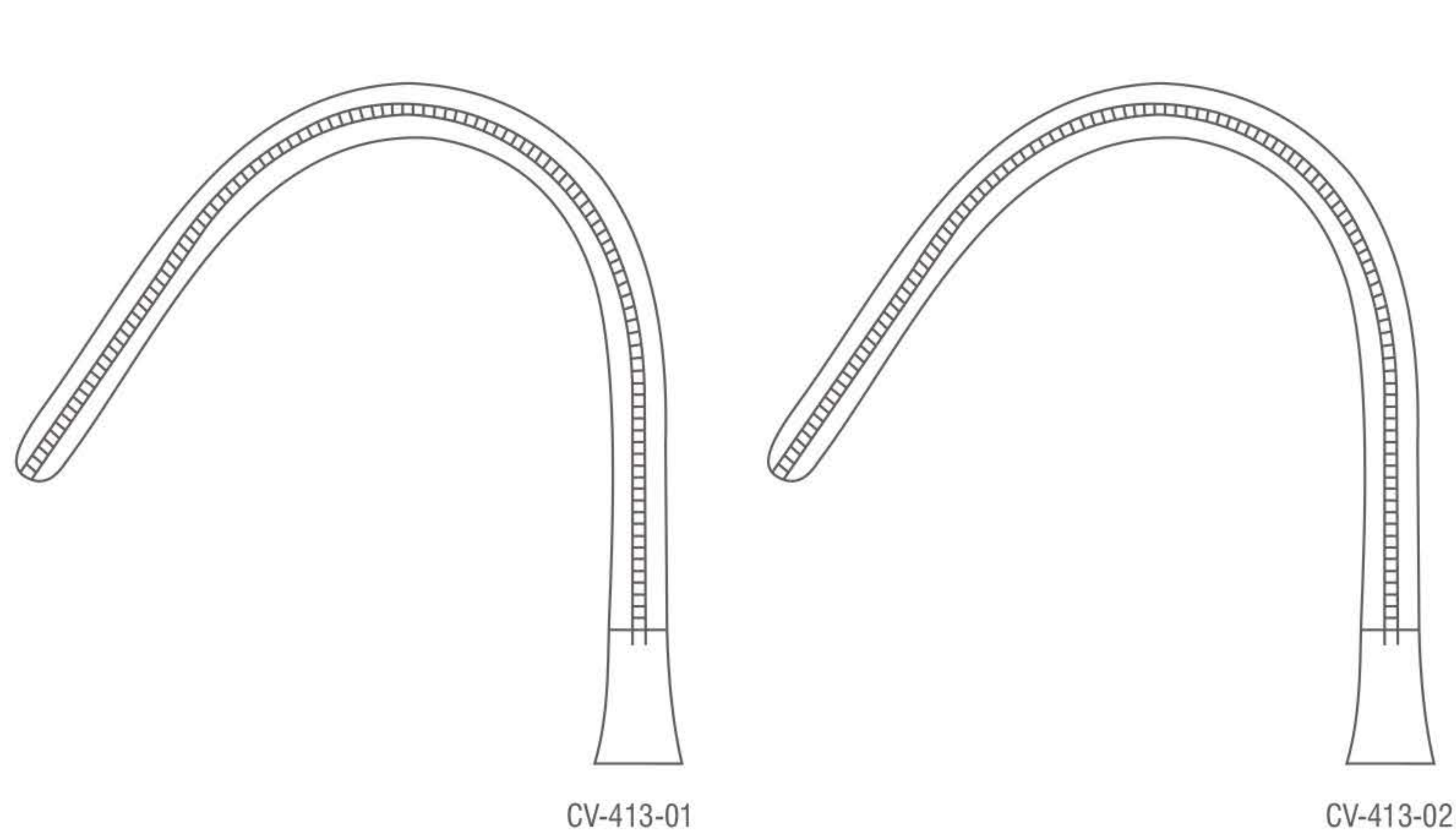
Catalog #	Size, Jaw Length
CV-409-26	27 cm (10 3/4"), 60 mm

Cardiovascular Clamps
 Kardiovaskuläre Klemmen
 Pinzas cardiovasculares
 Pincas cardiovasculaires
 Pinze cardiovascolari



Weber Atrauma Aortic Clamp

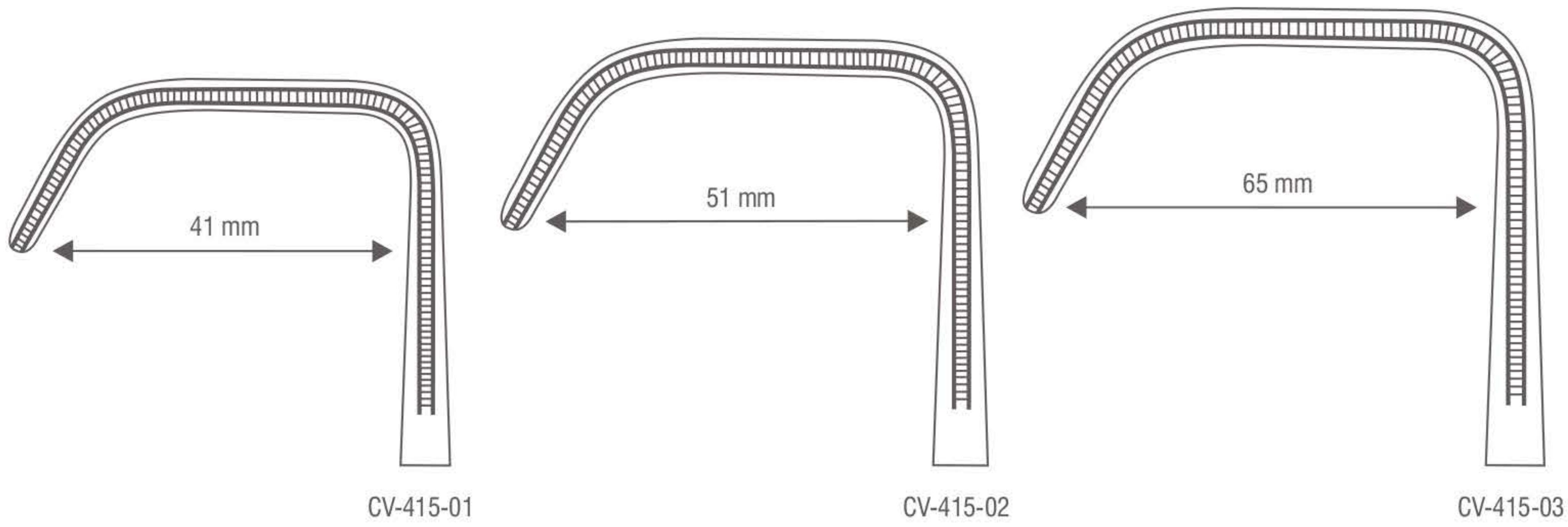
Catalog #	Size, Jaw, Profile
CV-411-01	24 cm (9 1/2"), 52 mm, Right
CV-411-02	24 cm (9 1/2"), 52 mm, Left



Wylie Atrauma Aortic Aneurysm Clamp

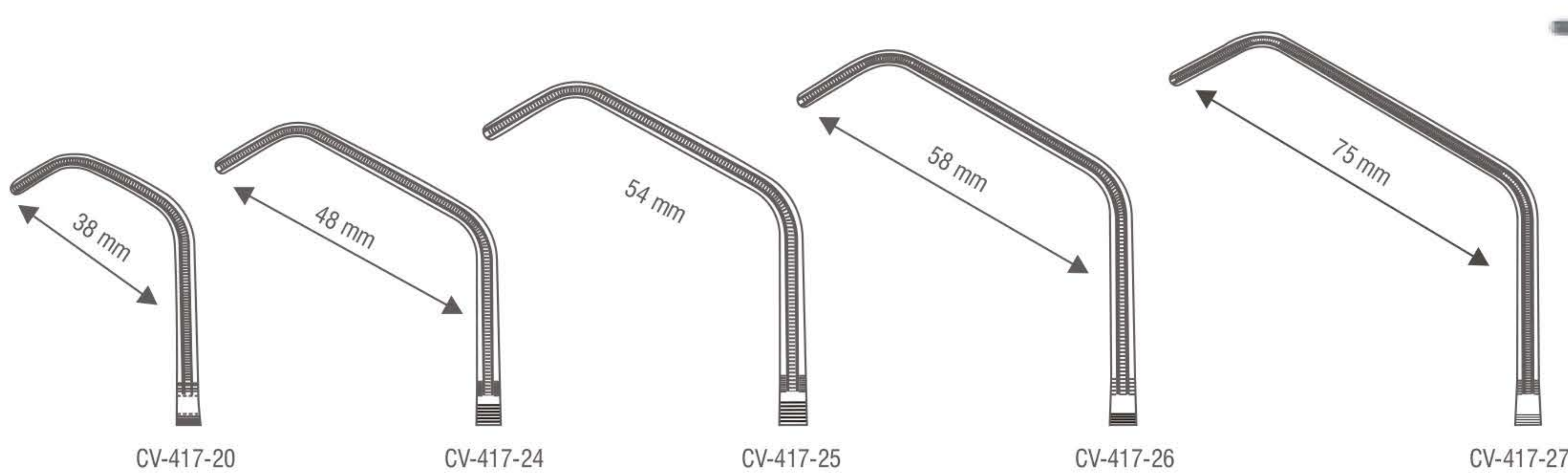
Catalog #	Size, Jaw
CV-413-01	23 cm (9"), 25 mm
CV-413-02	24.5 cm (9 1/2"), 25 mm

Cardiovascular Clamps
 Kardiovaskuläre Klemmen
 Pinzas cardiovasculares
 Pincas cardiovasculaires
 Pinze cardiovascolari



Hopt Atrauma Clamp
 Kidney & Pancreas Clamp

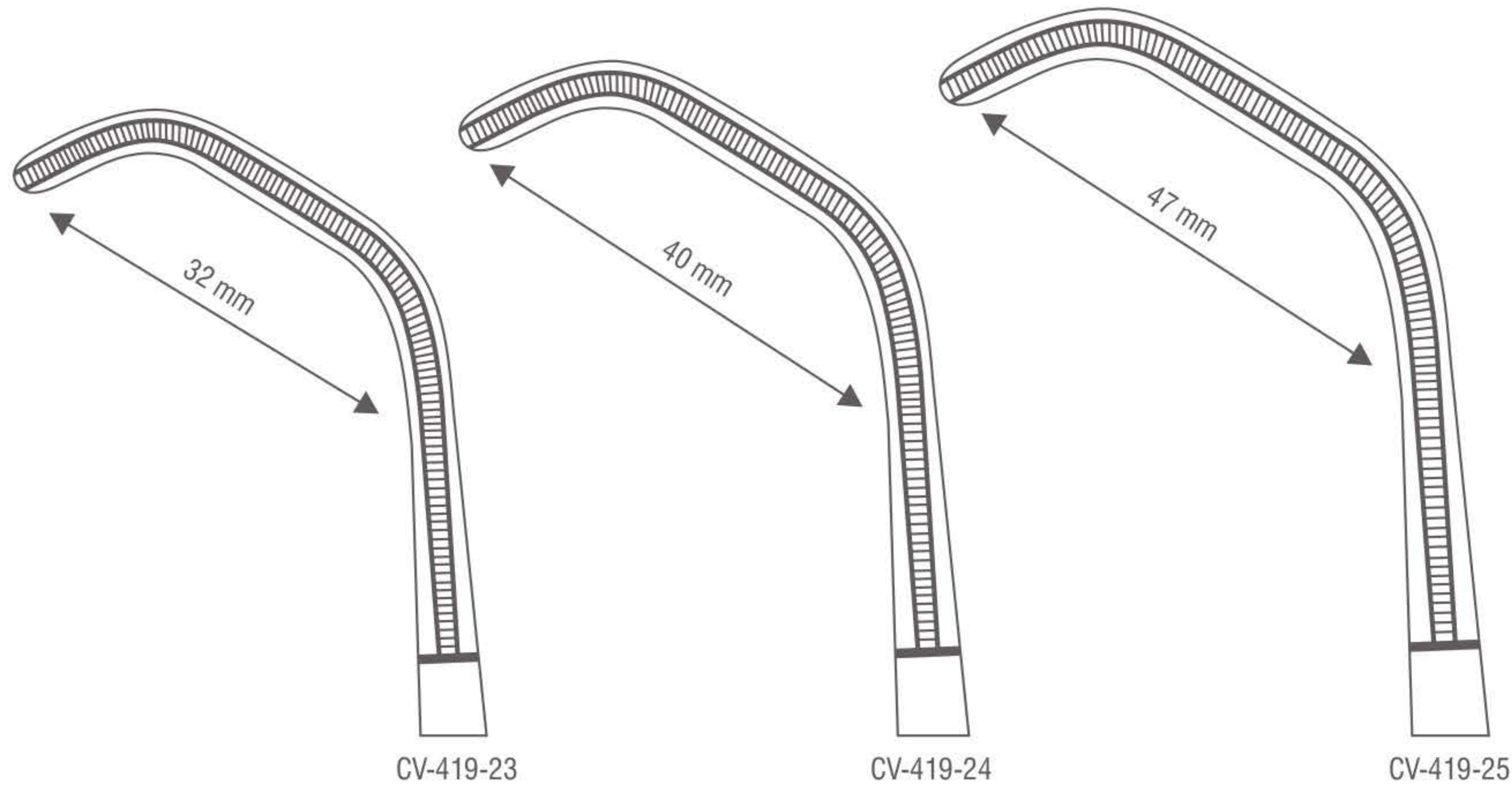
Catalog #	Size, Jaw
CV-415-01	20 cm (8"), 41 mm
CV-415-02	20 cm (8"), 51 mm
CV-415-03	20 cm (8"), 65 mm



Satinsky Atrauma Tangential Occlusion Clamp

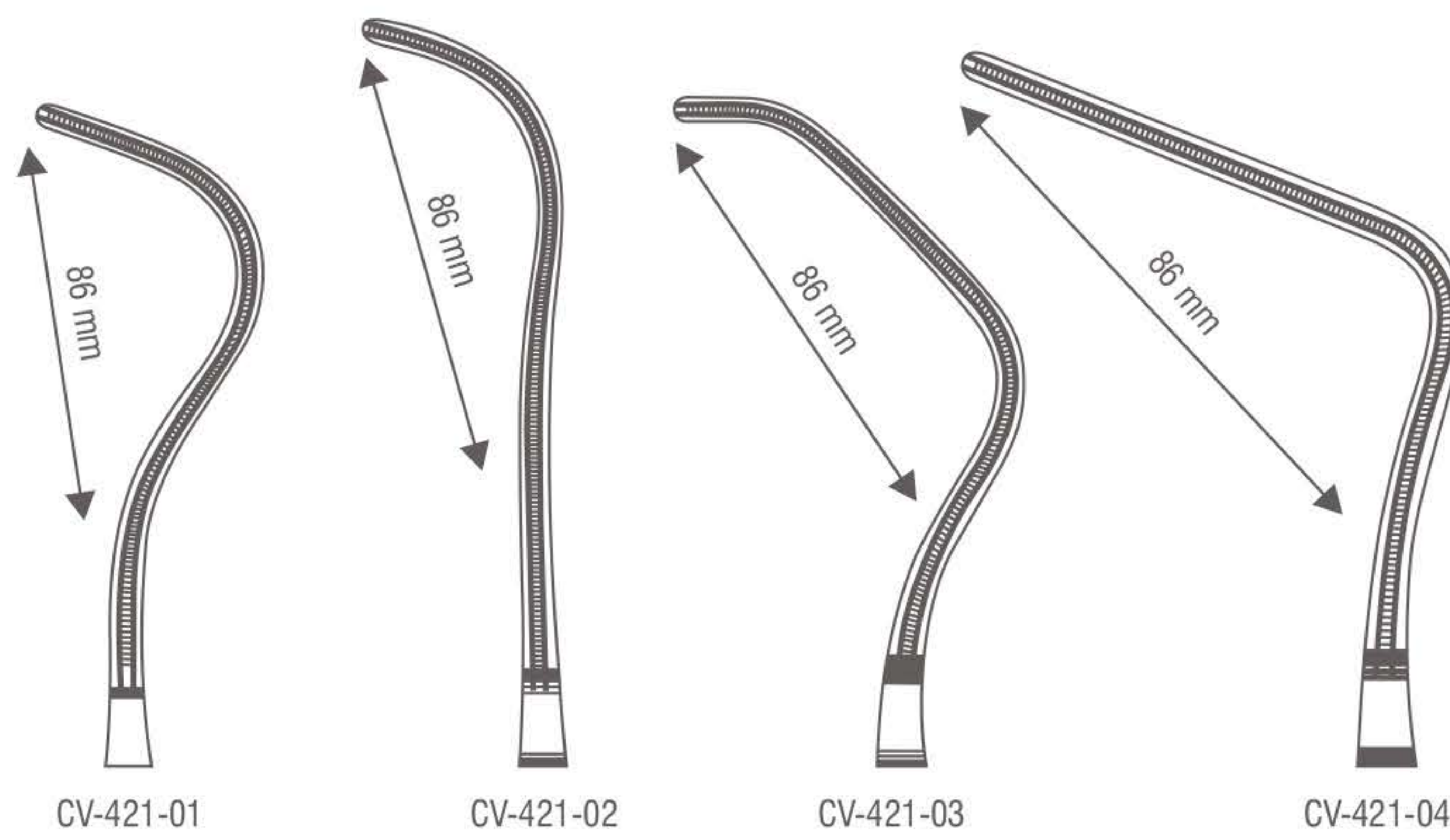
Catalog #	Size, Jaw Length
CV-417-20	22 cm (8 3/4"), 38 mm
CV-417-24	26 cm (10 1/4"), 48 mm
CV-417-25	26.5 cm (10 1/2"), 54 mm
CV-417-26	27.5 cm (10 3/4"), 58 mm
CV-417-27	28.5 cm (11 1/4"), 75 mm

Cardiovascular Clamps
 Kardiovaskuläre Klemmen
 Pinzas cardiovasculares
 Pincas cardiovasculaires
 Pinze cardiovascolari



DeBakey Satinsky Atrauma Tangential Occlusion Clamp

Catalog #	Size, Jaw
CV-419-23	23.5 cm (9 1/4"), 32 mm
CV-419-24	24 cm (9 1/2"), 40 mm
CV-419-25	24.5 cm (9 1/2"), 47 mm



Harken Atrauma Auricle Clamp

Catalog #	Size, Jaw Length
CV-421-01	25.5 cm (10"), 86 mm
CV-421-02	24 cm (9 1/2"), 86 mm
CV-421-03	24.5 cm (9 3/4"), 86 mm
CV-421-04	23.5 cm (9 1/4"), 86 mm



Cardiovascular Clamps
 Kardiovaskuläre Klemmen
 Pinzas cardiovasculares
 Pinces cardiovasculaires
 Pinze cardiovascolari



Lees Atrauma Bronchus Clamp
 Angled 90°

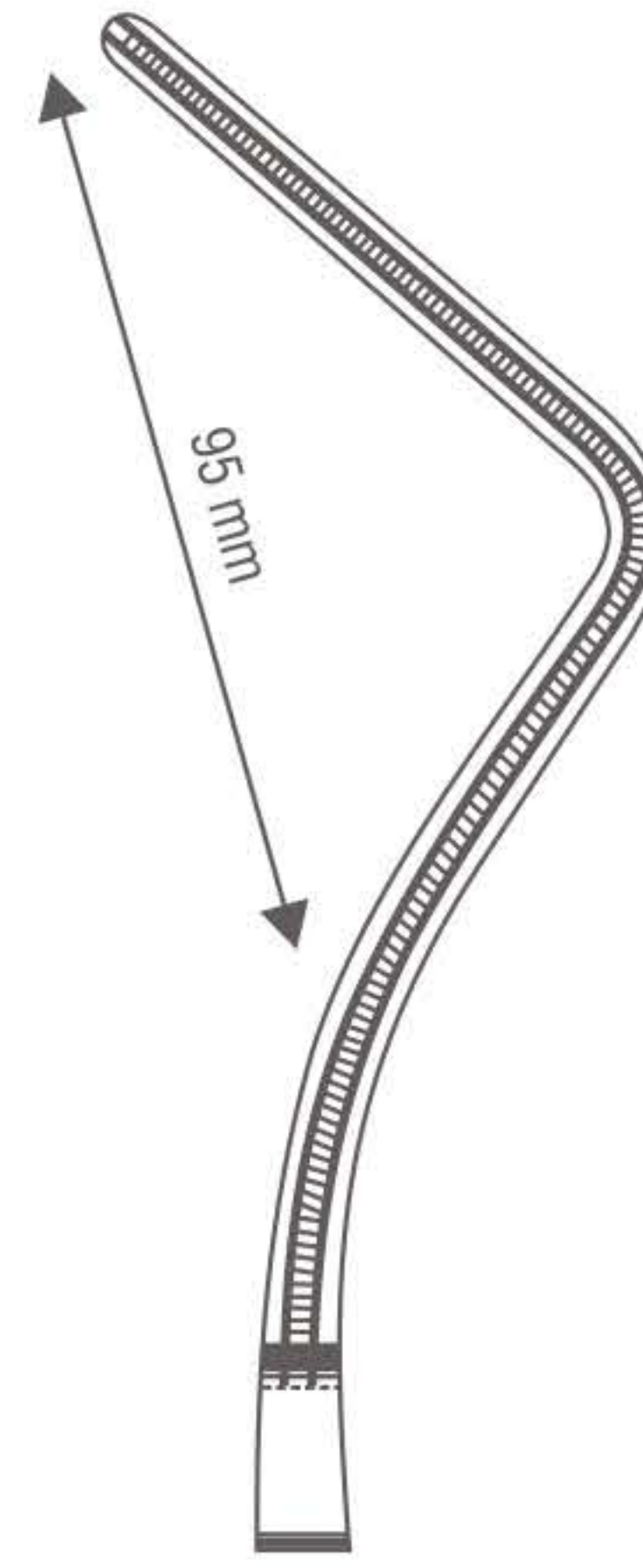
Catalog #	Size, Jaw
CV-423-23	23 cm (9"), 42 mm



Lees Atrauma Bronchus Clamp
 Angled 90°, 2x3 DeBakey Teeth

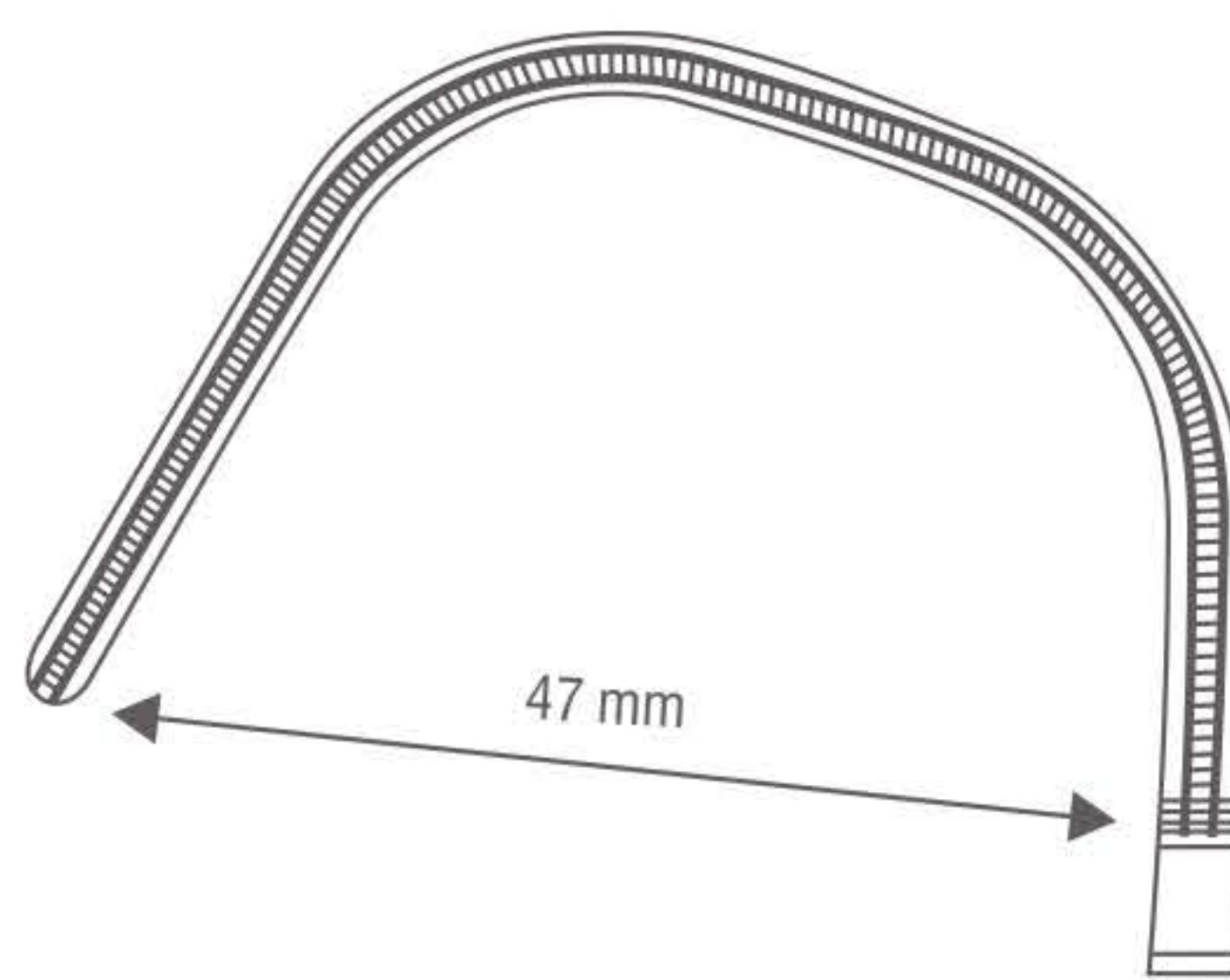
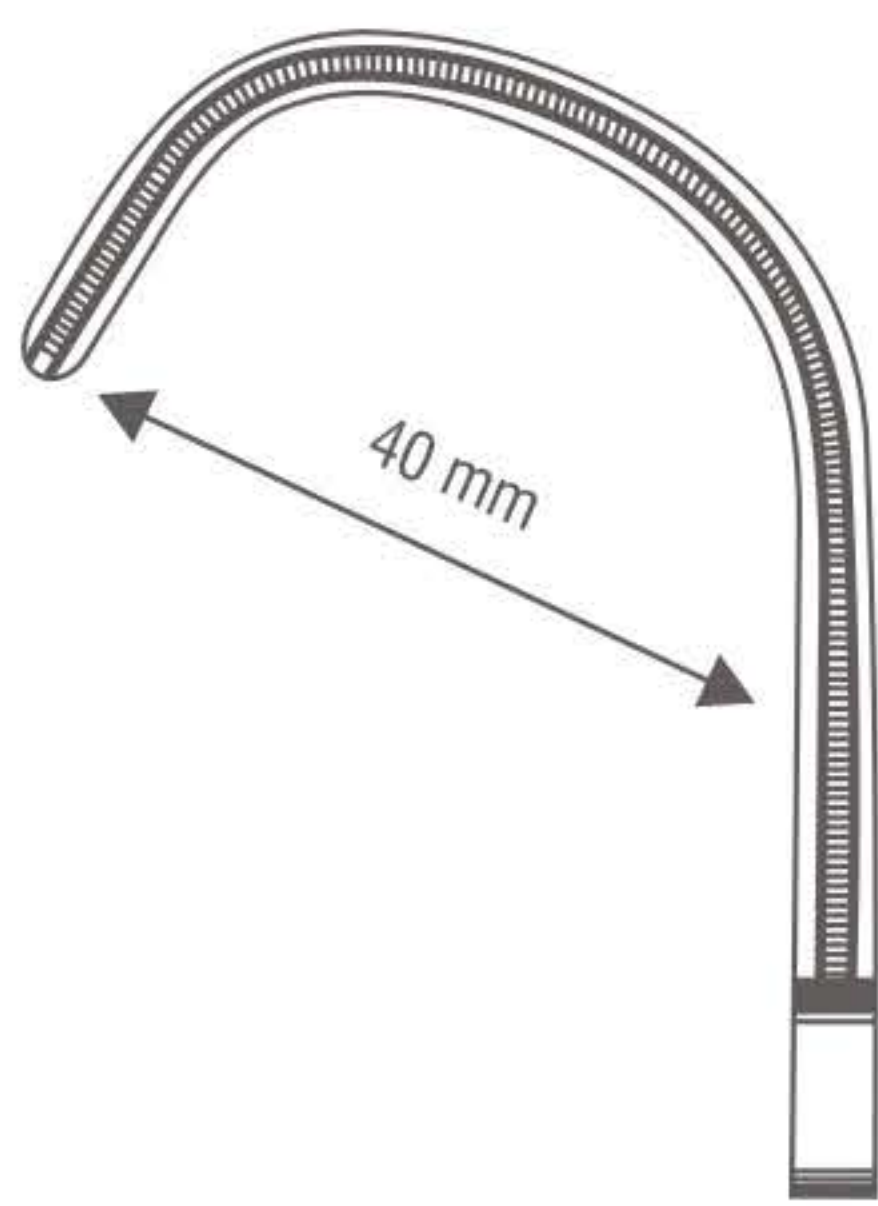
Catalog #	Size, Jaw Length
CV-423-25	25.5 cm (10"), 42 mm

Cardiovascular Clamps
 Kardiovaskuläre Klemmen
 Pinzas cardiovasculares
 Pincas cardiovasculaires
 Pinze cardiovascolari



Lees Atrauma Bronchus Clamp

Catalog #	Size, Jaw Length
CV-425-25	25 cm (10 3/4"), 95 mm



Lambert-Kay Atrauma Anastomosis Clamp

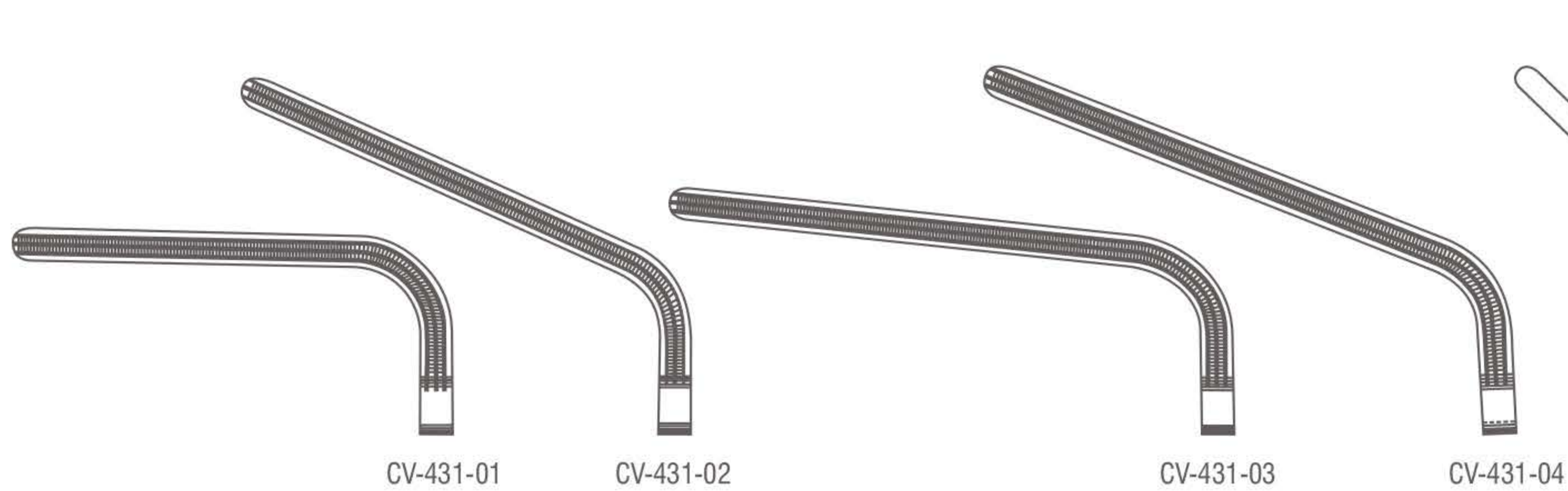
Catalog #	Size, Jaw Length
CV-427-21	22.5 cm (8 3/4"), 40 mm
CV-427-22	22.5 cm (8 3/4"), 47 mm

Cardiovascular Clamps
 Kardiovaskuläre Klemmen
 Pinzas cardiovasculares
 Pincas cardiovasculaires
 Pinze cardiovascolari



DeBakey Atrauma Anastomosis Clamp

Catalog #	Size, Jaw
CV-429-17	16.5 cm (6 1/2"), 24 mm



Morris-DeBakey Atrauma Aortic Clamp

Catalog #	Size, Jaw, Profile
CV-431-01	16.5 cm (6 1/2"), 67 mm, Angled 90°
CV-431-02	20 cm (8"), 67 mm, Angled 70°
CV-431-03	24 cm (9 1/2"), 70 mm, Angled 90°
CV-431-04	26 cm (10 1/4"), 70 mm, Angled 70°



Cardiovascular Clamps
 Kardiovaskuläre Klemmen
 Pinzas cardiovasculares
 Pincas cardiovasculaires
 Pinze cardiovascolari



DeBakey-Bahnson Aneurysm Clamp

CV-433-23 CV-433-24 CV-433-25



Catalog #	Size, Jaw
CV-433-23	25.5 cm (10"), 70 mm
CV-433-24	26.5 cm (10 1/2"), 75 mm
CV-433-25	28 cm (11"), 85 mm



Potts Aneurysm Multipurpose Vascular Clamp
 Straight

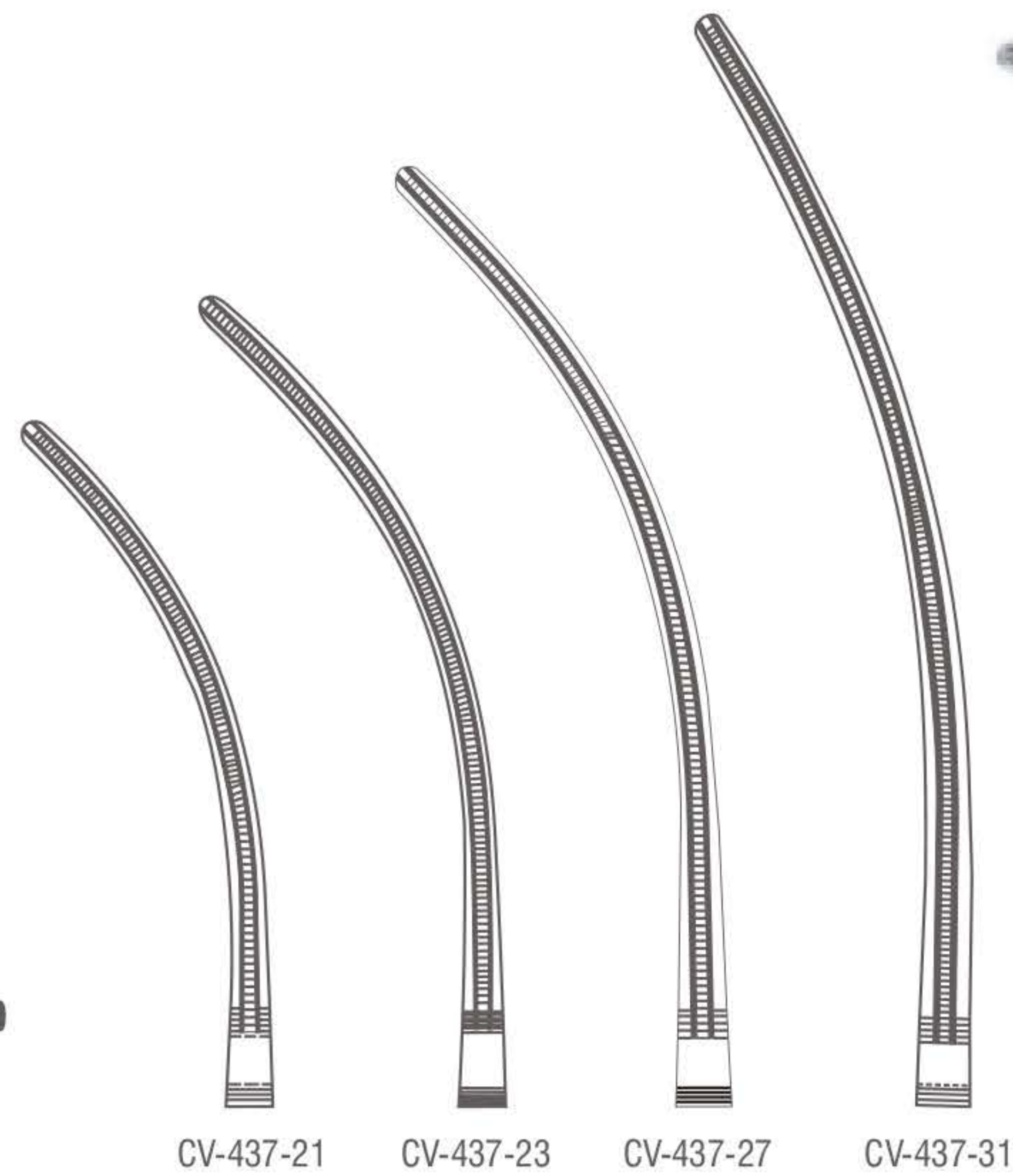
CV-436-21 CV-436-23 CV-436-27 CV-436-31

Catalog #	Size, Jaw, Profile
CV-436-21	21.5 cm (8 1/2"), 60 mm, Straight
CV-436-23	23.5 cm (9 1/4"), 75 mm, Straight
CV-436-27	27 cm (10 3/4"), 82 mm, Straight
CV-436-31	31 cm (12 1/4"), 100 mm, Straight

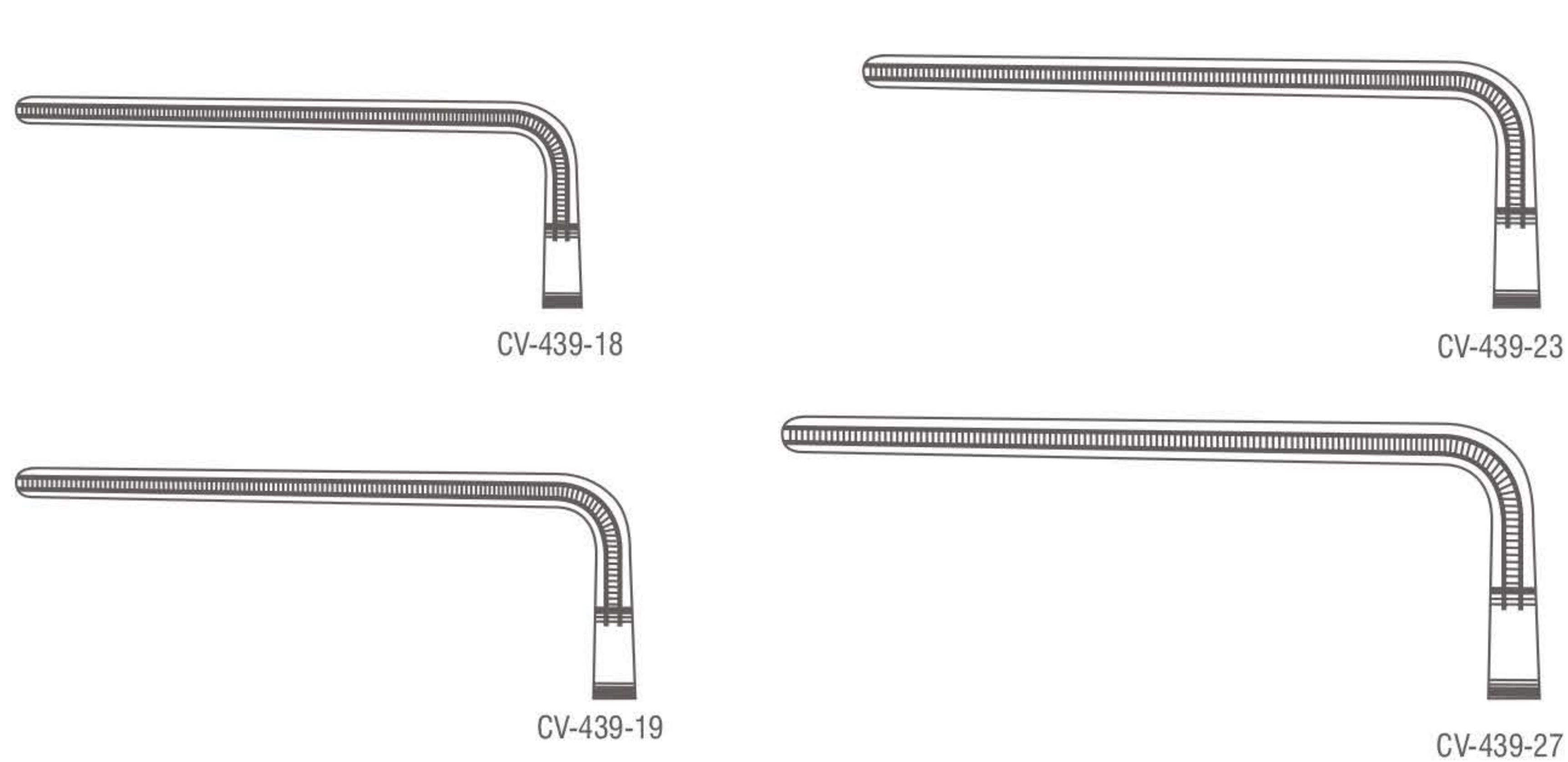


Cardiovascular Clamps
 Kardiovaskuläre Klemmen
 Pinzas cardiovasculares
 Pincas cardiovasculaires
 Pinze cardiovascolari

Potts Atrauma Multipurpose Vascular Clamp



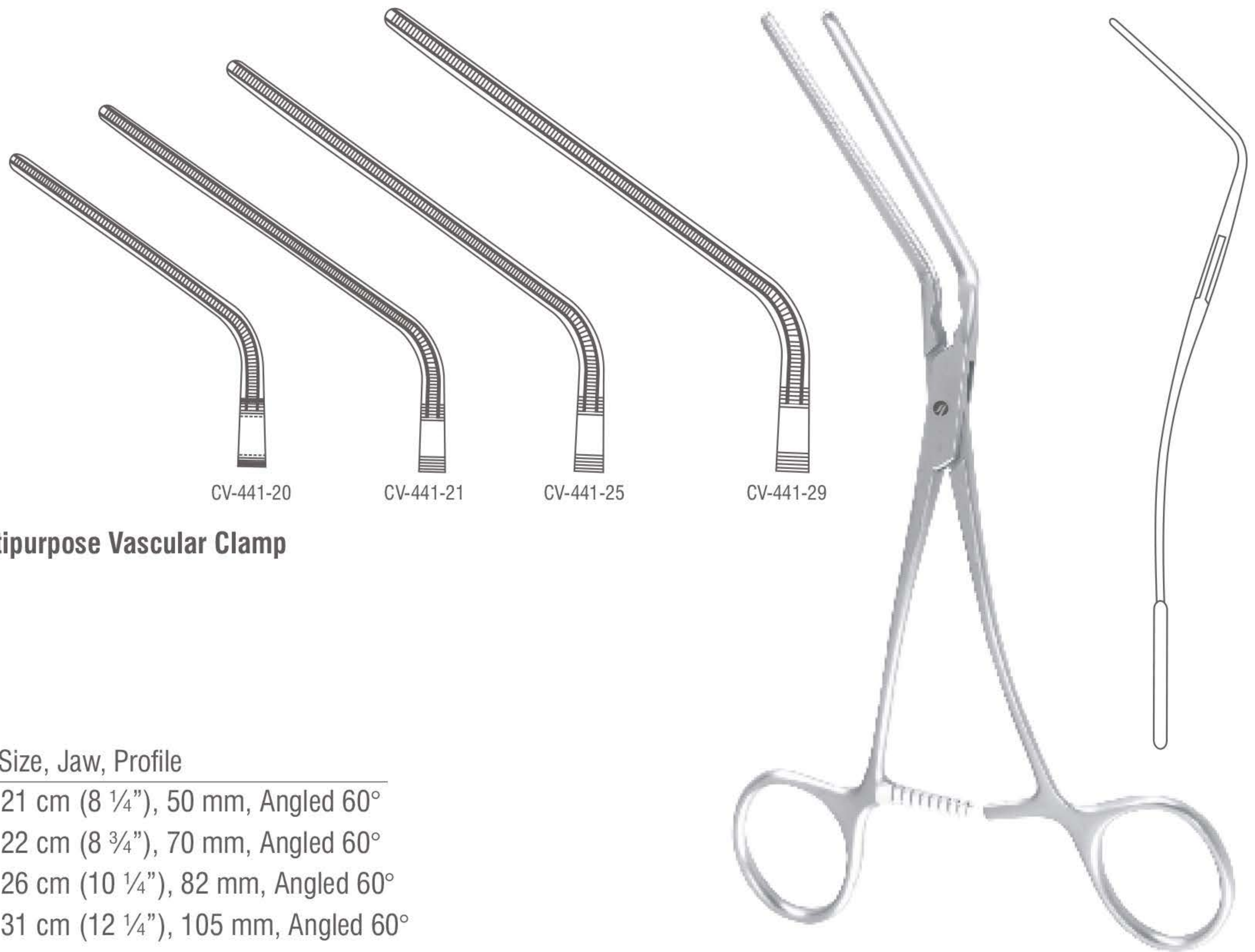
Catalog #	Size, Jaw, Profile
CV-437-21	21 cm (8 ¼"), 60 mm, Curved
CV-437-23	23 cm (9"), 75 mm, Curved
CV-437-27	26 cm (10 ¼"), 82 mm, Curved
CV-437-31	30.5 cm (12"), 100 mm, Curved



DeBakey Atrauma Multipurpose Vascular Clamp
 Angled 90°

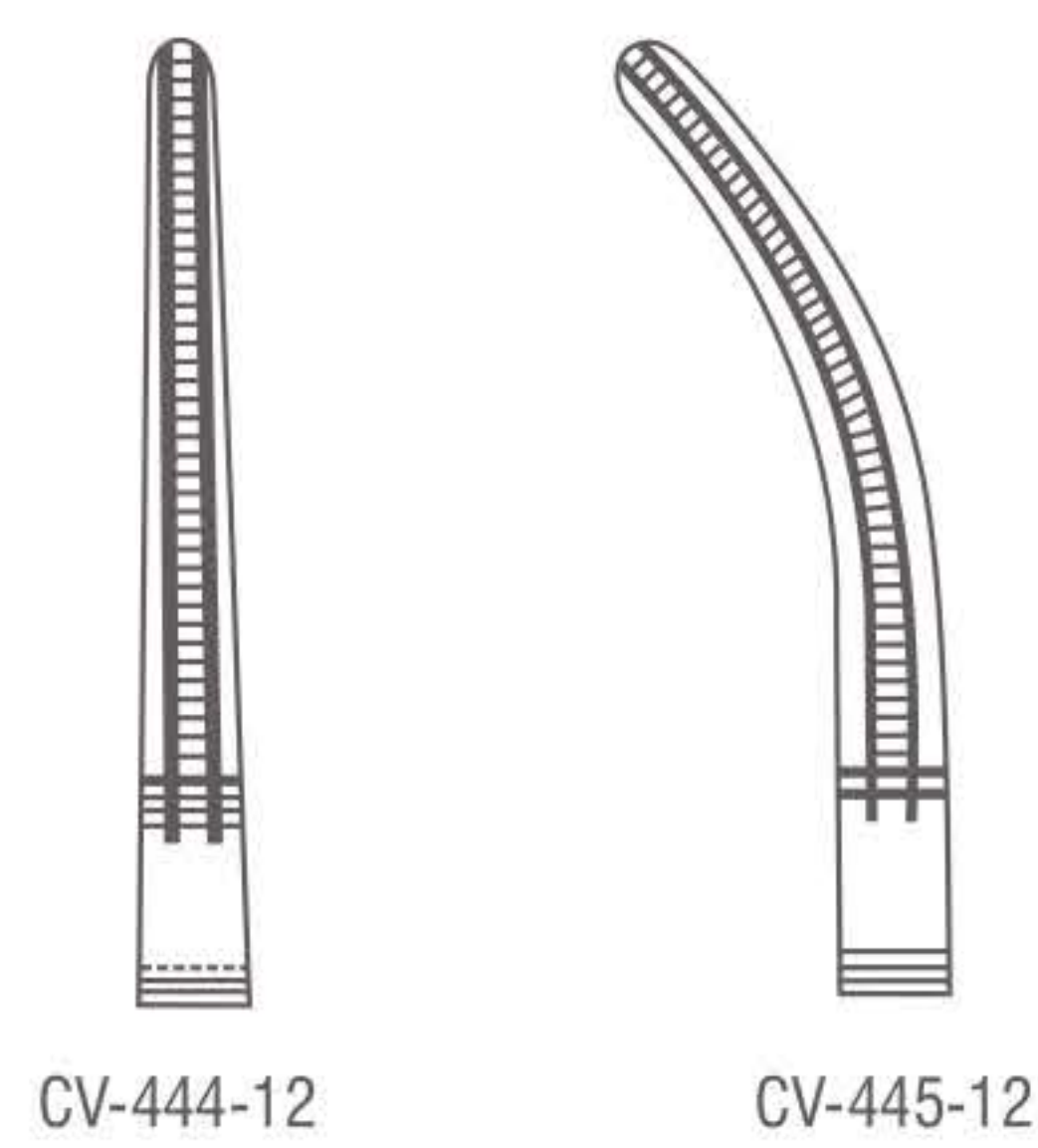
Catalog #	Size, Jaw, Profile
CV-439-18	18 cm (7"), 50 mm, Angled 90°
CV-439-19	18.5 cm (7 ¼"), 69 mm, Angled 90°
CV-439-23	21.5 cm (8 ½"), 87 mm, Angled 90°
CV-439-27	25.5 cm (10"), 108 mm, Angled 90°

Cardiovascular Clamps
 Kardiovaskuläre Klemmen
 Pinzas cardiovasculares
 Pincas cardiovasculaires
 Pinze cardiovascolari



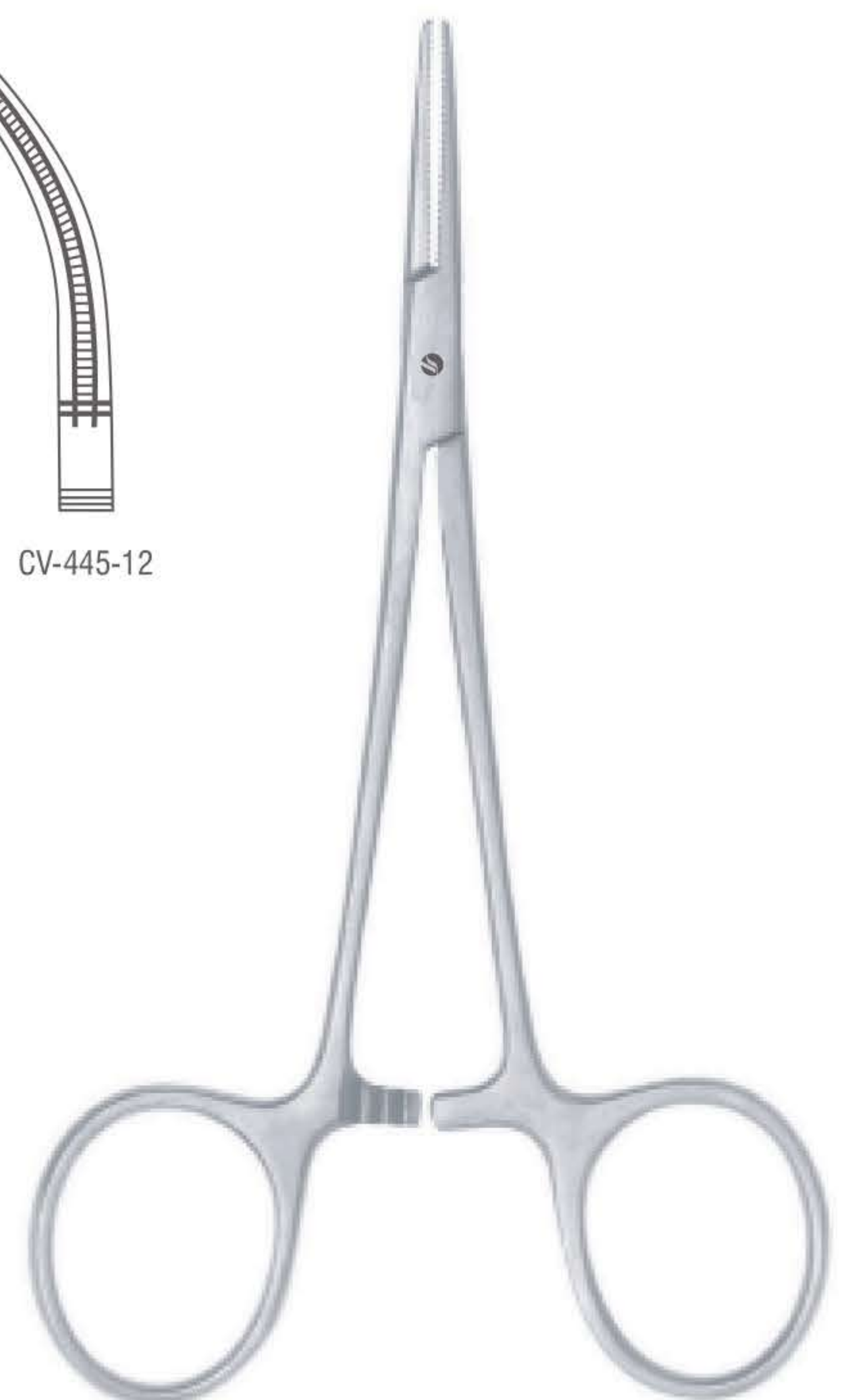
DeBakey Atrauma Multipurpose Vascular Clamp

Catalog #	Size, Jaw, Profile
CV-441-20	21 cm (8 1/4"), 50 mm, Angled 60°
CV-441-21	22 cm (8 3/4"), 70 mm, Angled 60°
CV-441-25	26 cm (10 1/4"), 82 mm, Angled 60°
CV-441-29	31 cm (12 1/4"), 105 mm, Angled 60°

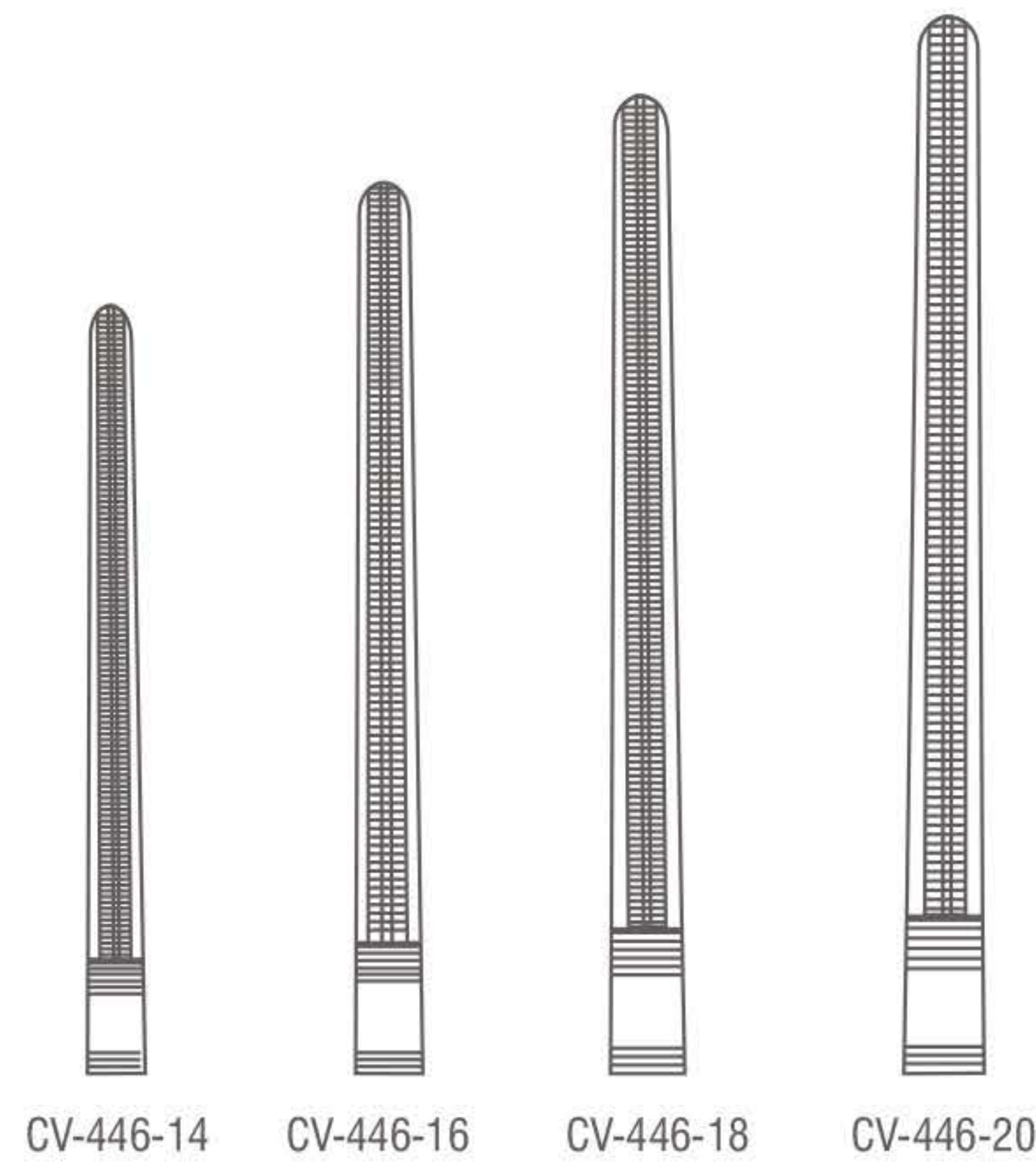


DeBakey-Mosquito Atrauma Hemostatic Forcep

Catalog #	Size, Profile
CV-444-12	12.5 cm (15"), Straight
CV-445-12	12.5 cm (15"), Curved



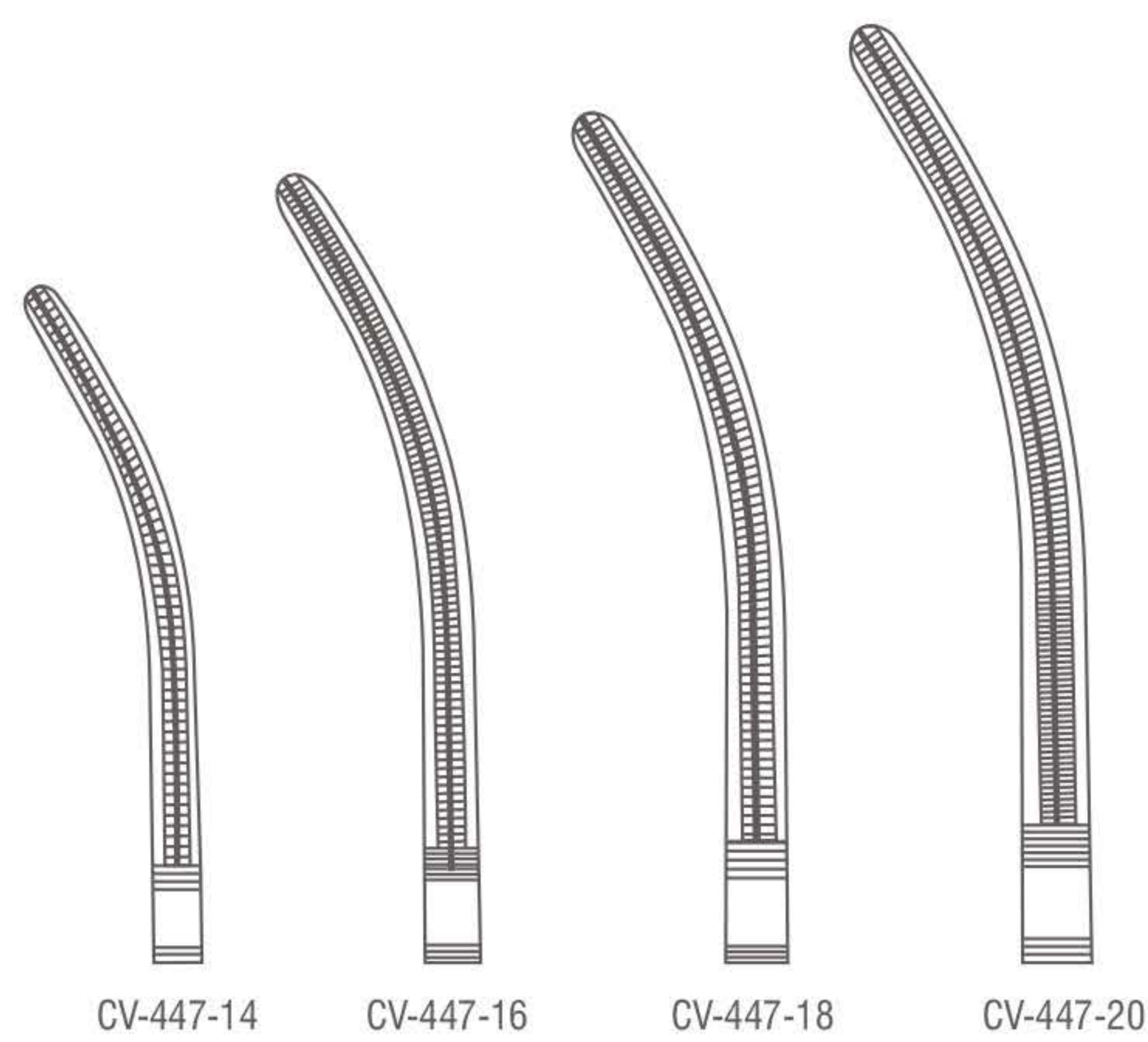
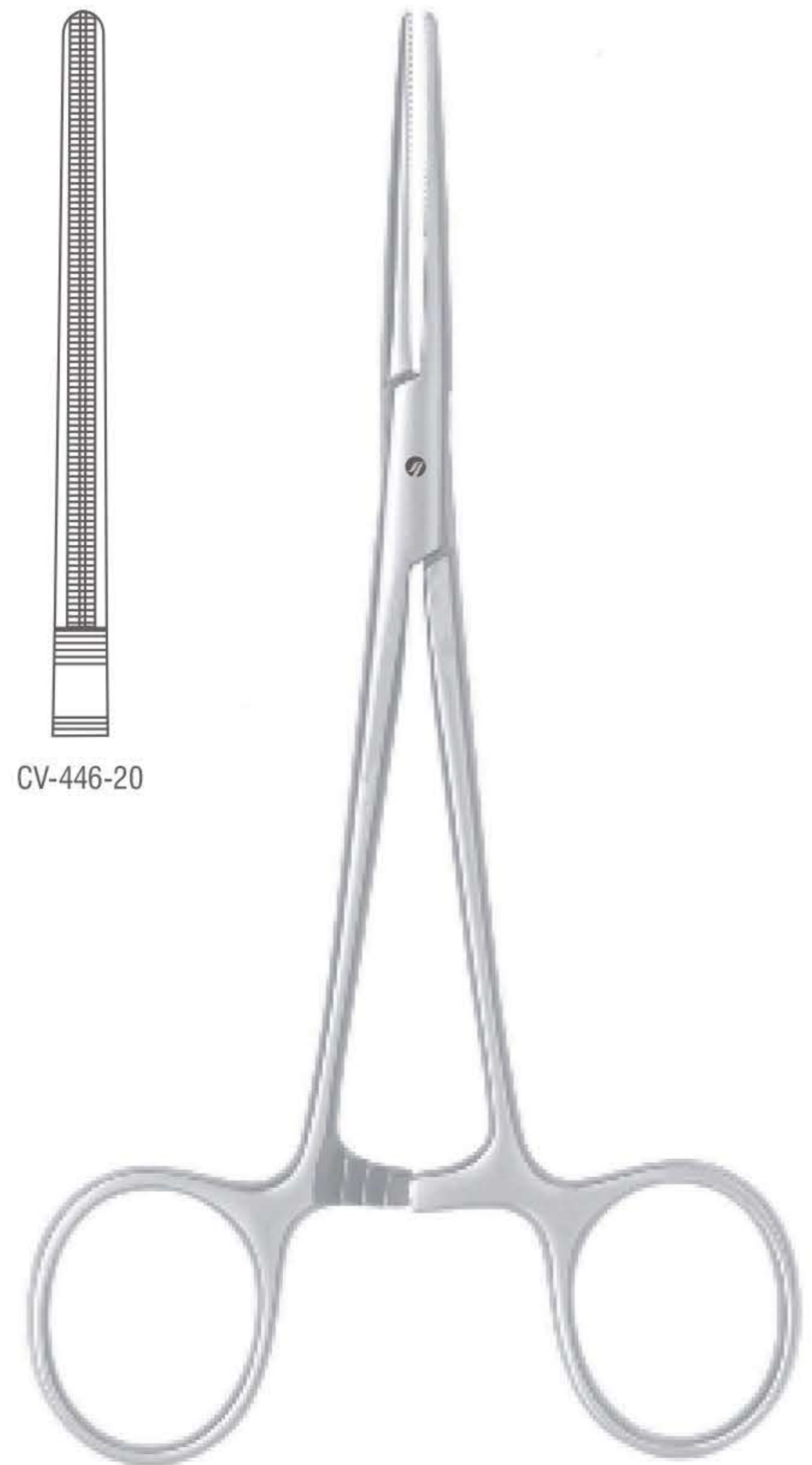
Cardiovascular Clamps
 Kardiovaskuläre Klemmen
 Pinzas cardiovasculares
 Pincès cardiovasculaires
 Pinze cardiovascolari



CV-446-14 CV-446-16 CV-446-18 CV-446-20

DeBakey-Pean Atrauma Hemostatic Forcep

Catalog #	Size, Jaw
CV-446-14	14.5 cm (5 3/4"), 40 mm
CV-446-16	16.5 cm (6 1/2"), 45 mm
CV-446-18	18.5 cm (7 1/4"), 50 mm
CV-446-20	20.5 cm (8"), 55 mm



CV-447-14 CV-447-16 CV-447-18 CV-447-20

DeBakey-Pean Atrauma Hemostatic Forcep

Catalog #	Size, Jaw
CV-447-14	14.5 cm (5 3/4"), 40 mm
CV-447-16	16.5 cm (6 1/2"), 45 mm
CV-447-18	18.5 cm (7 1/4"), 50 mm
CV-447-20	20.5 cm (8"), 55 mm

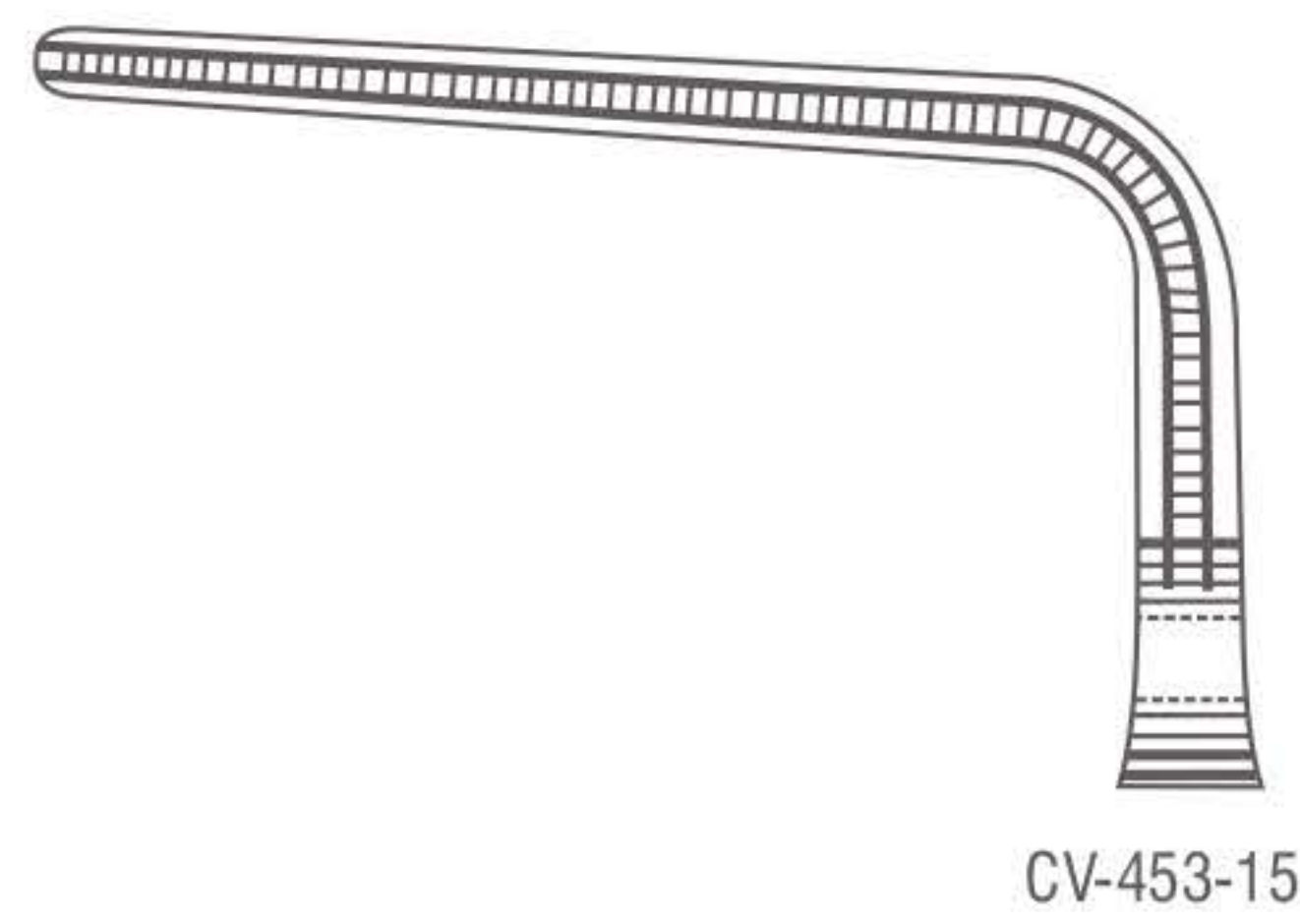
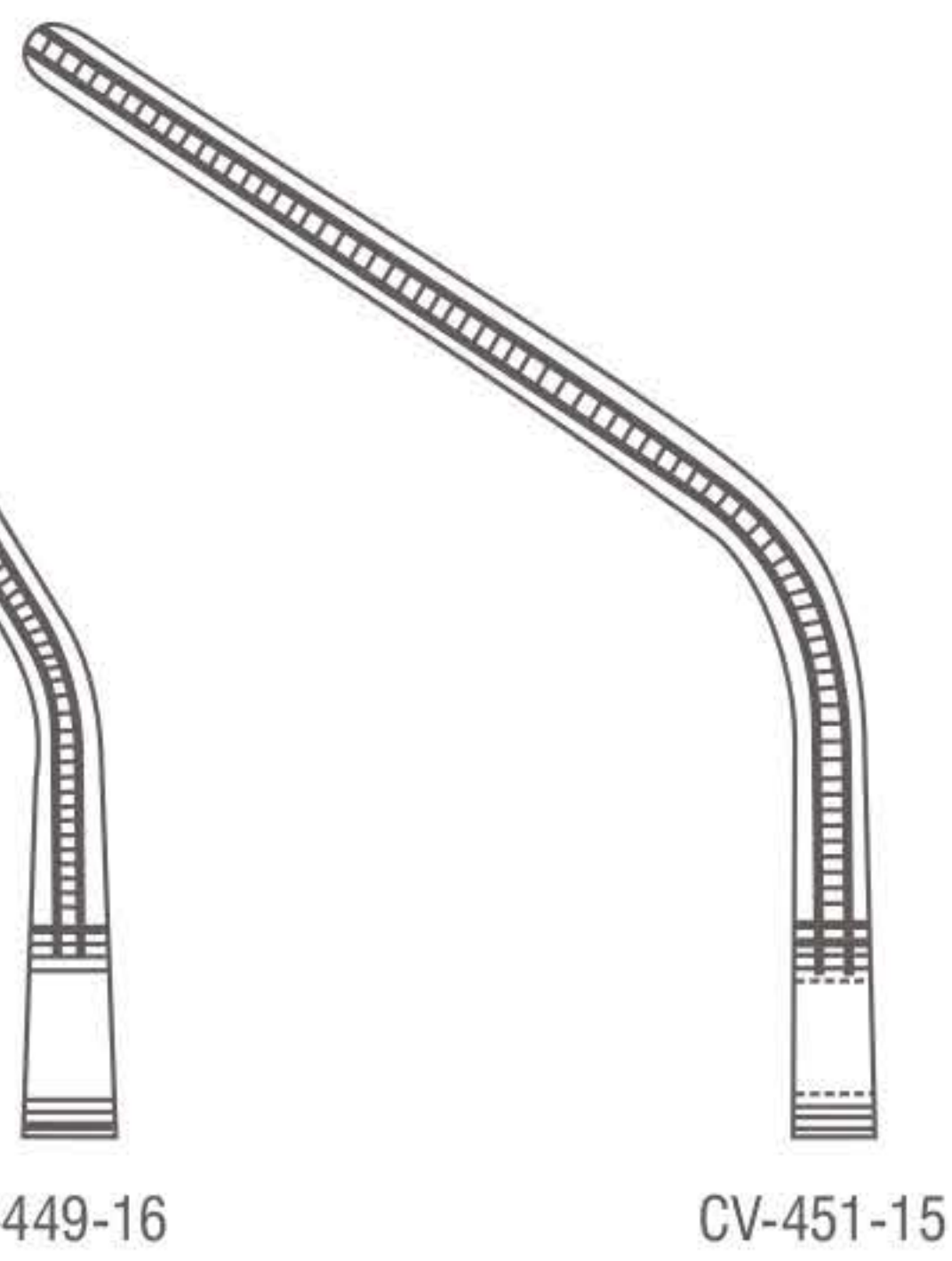
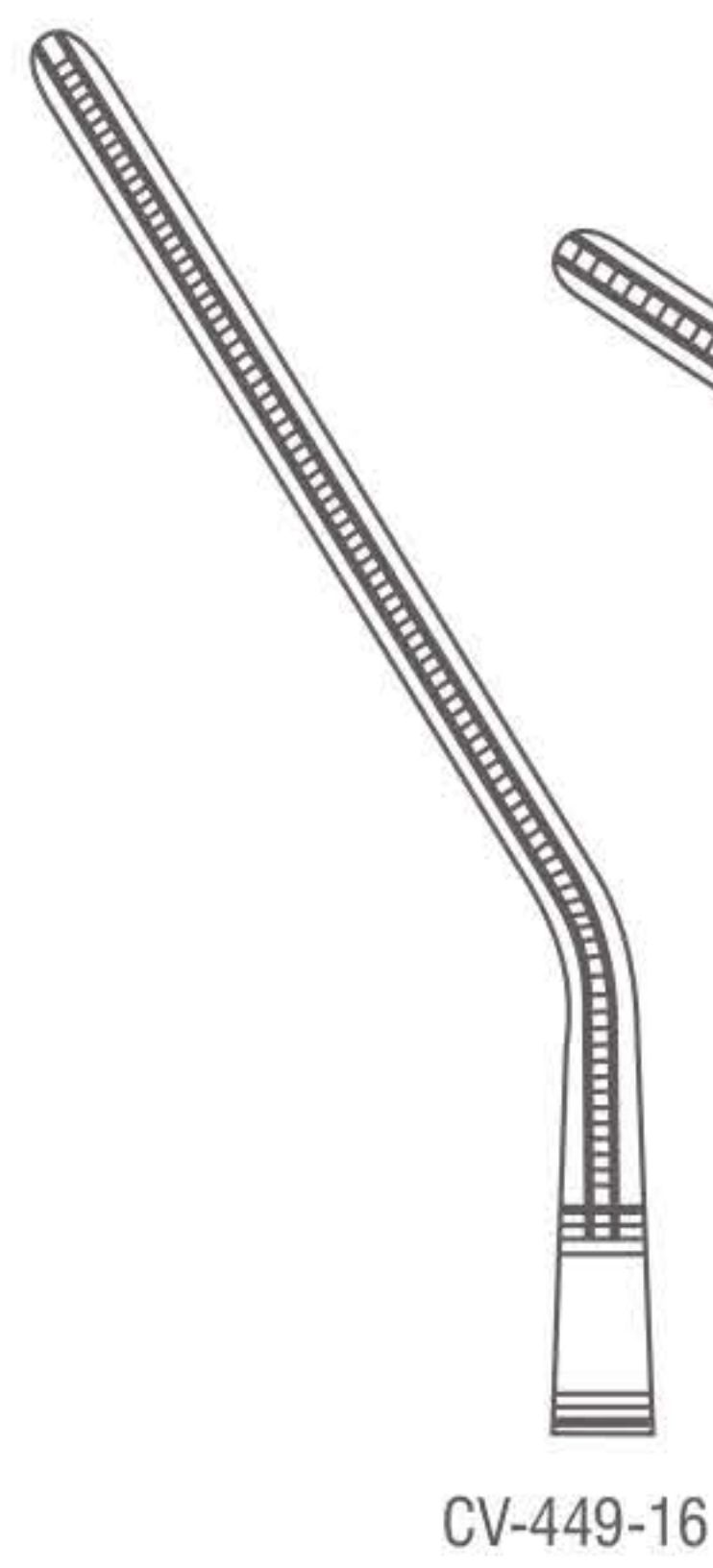


Cardiovascular Clamps
 Kardiovaskuläre Klemmen
 Pinzas cardiovasculares
 Pincas cardiovasculaires
 Pinze cardiovascolari



DeBakey Atrauma Multipurpose Vascular Clamp

Catalog #	Size, Jaw
CV-448-17	17 cm (6 3/4"), 50 mm



DeBakey Atrauma Multipurpose Vascular Clamp

Catalog #	Size, Jaw, Profile
CV-449-16	16.5 cm (6 1/2"), 30 mm, Angled 30°
CV-451-15	16 cm (6 1/4"), 30 mm, Angled 60°
CV-453-15	14.5 cm (5 3/4"), 30 mm, Angled 90°

Cardiovascular Clamps
 Kardiovaskuläre Klemmen
 Pinzas cardiovasculares
 Pincas cardiovasculaires
 Pinze cardiovascolari

DeBakey Atrauma Multipurpose Vascular Clamp
 Angled 15°

Catalog #	Size, Jaw
CV-455-17	16.5 cm (6 1/2"), 50 mm

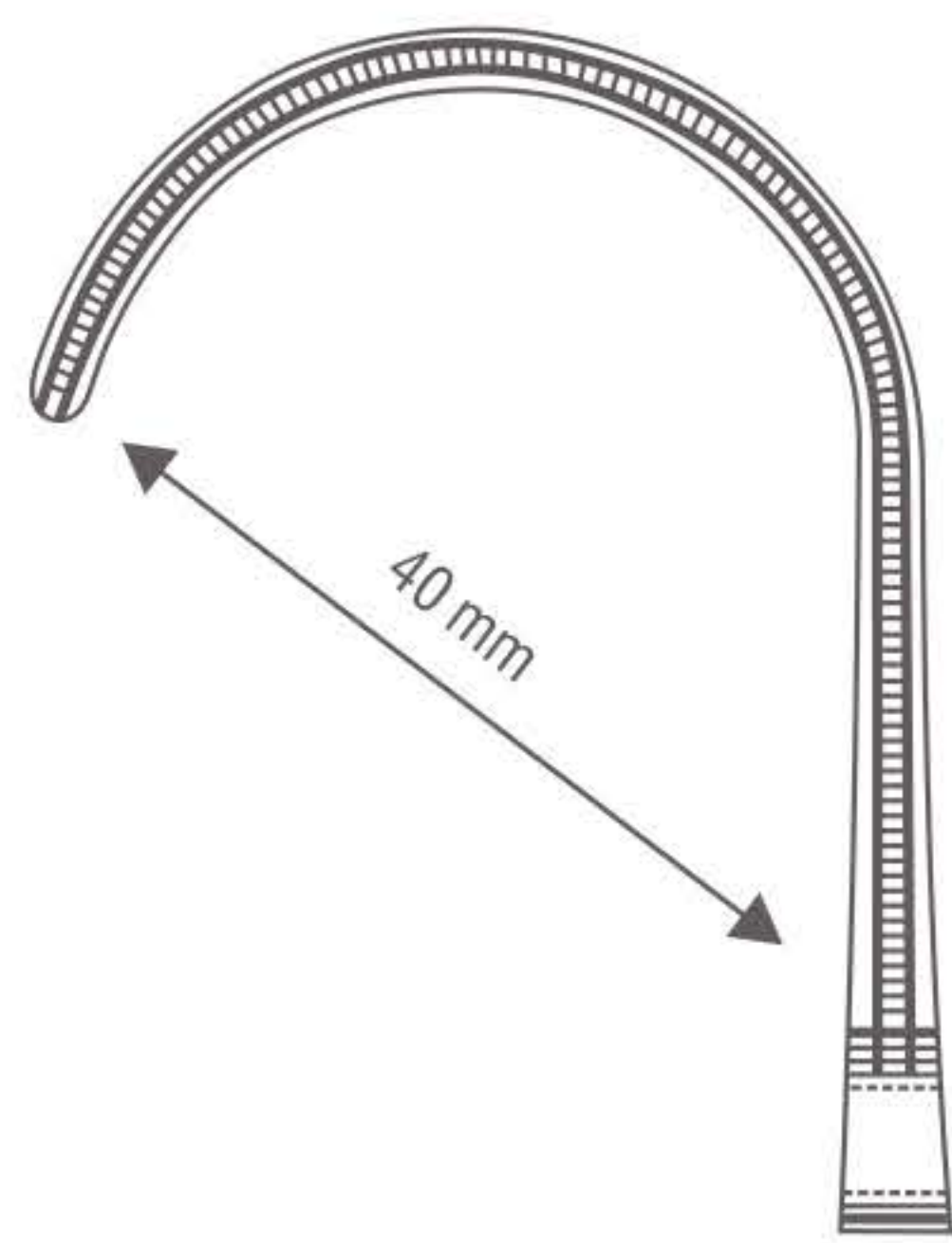


Glover Atrauma Multipurpose Vascular Clamp

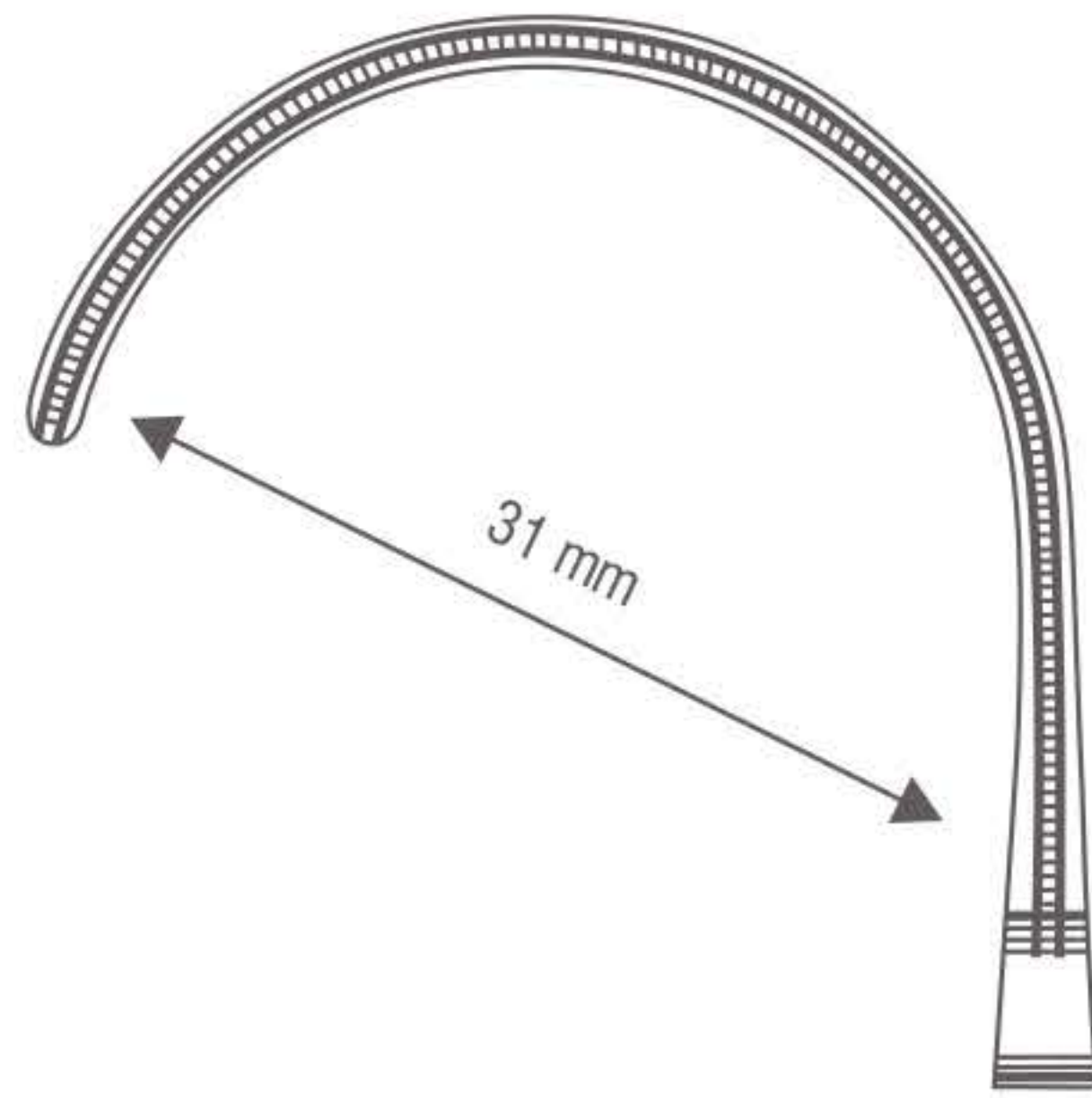
Catalog #	Size, Jaw
CV-457-17	17 cm (6 3/4"), 50 mm
CV-459-17	17.5 cm (7"), 63 mm



Cardiovascular Clamps
 Kardiovaskuläre Klemmen
 Pinzas cardiovasculares
 Pincas cardiovasculaires
 Pinze cardiovascolari



CV-461-16

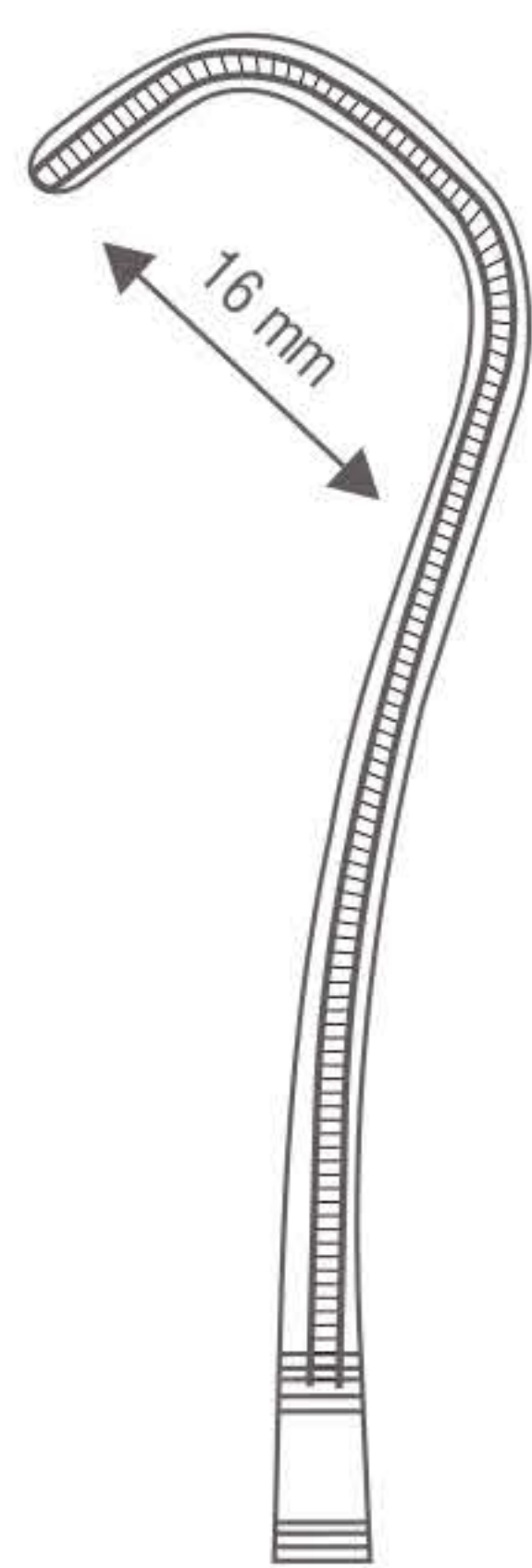


CV-463-17

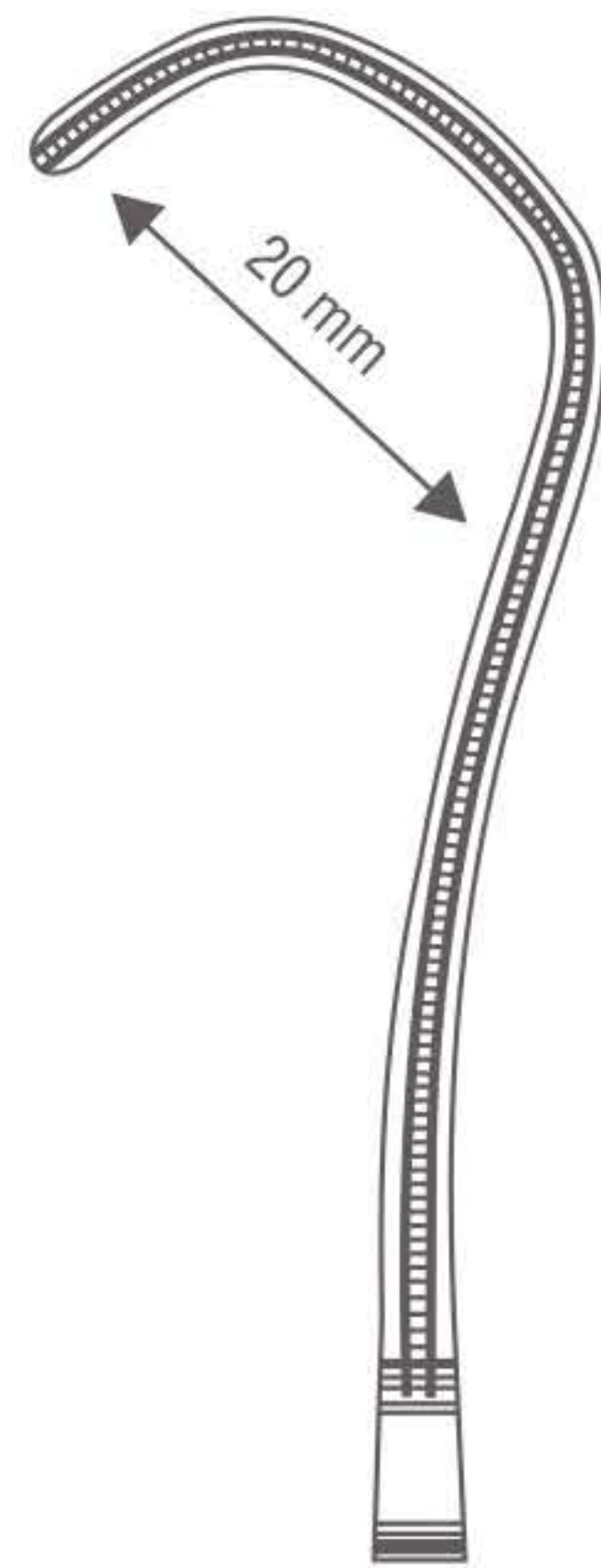


DeBakey Atrauma Multipurpose Vascular Clamp

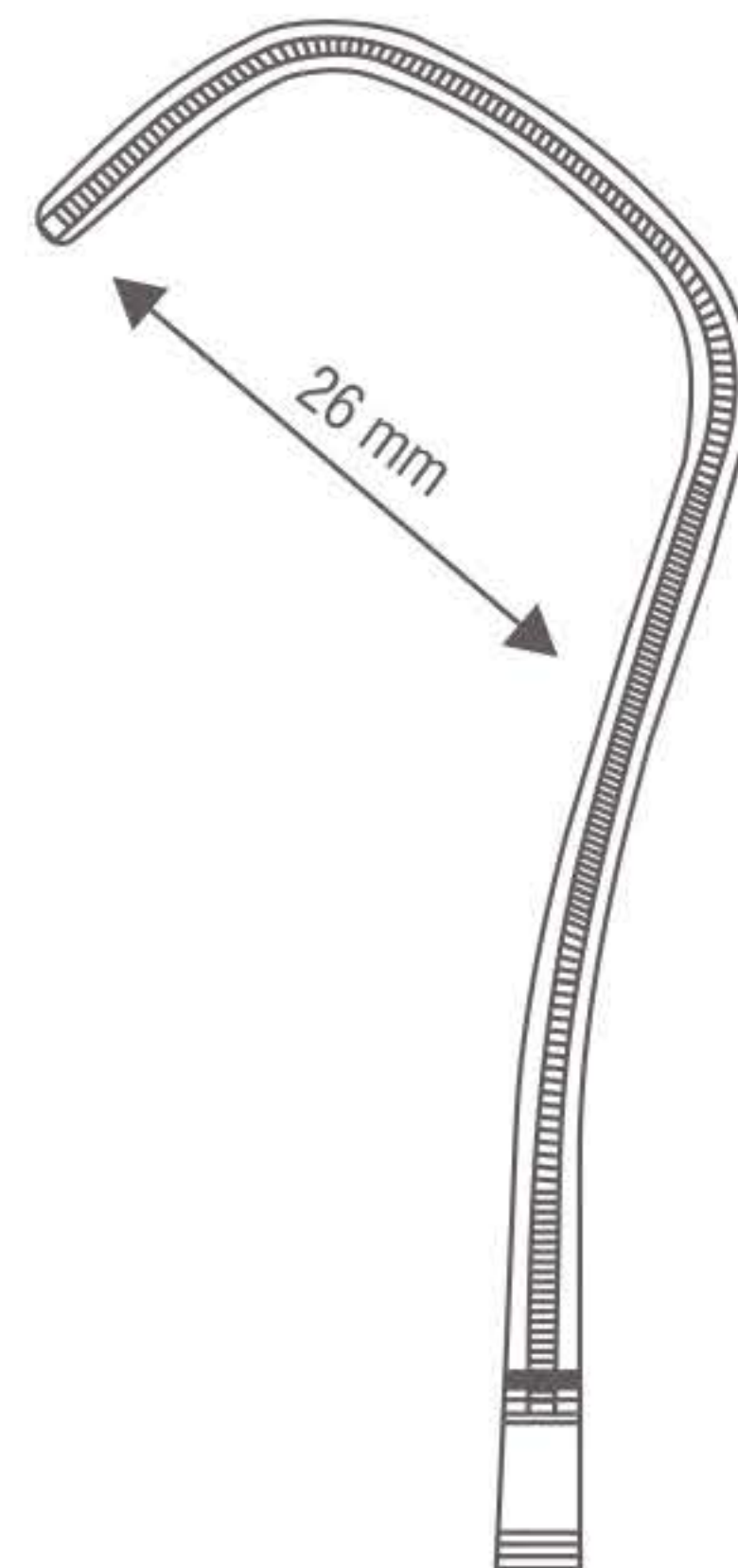
Catalog #	Size, Jaw
CV-461-16	16.5 cm (6 1/2"), 40 mm
CV-463-17	17 cm (6 3/4"), 31 mm



CV-465-16



CV-465-17



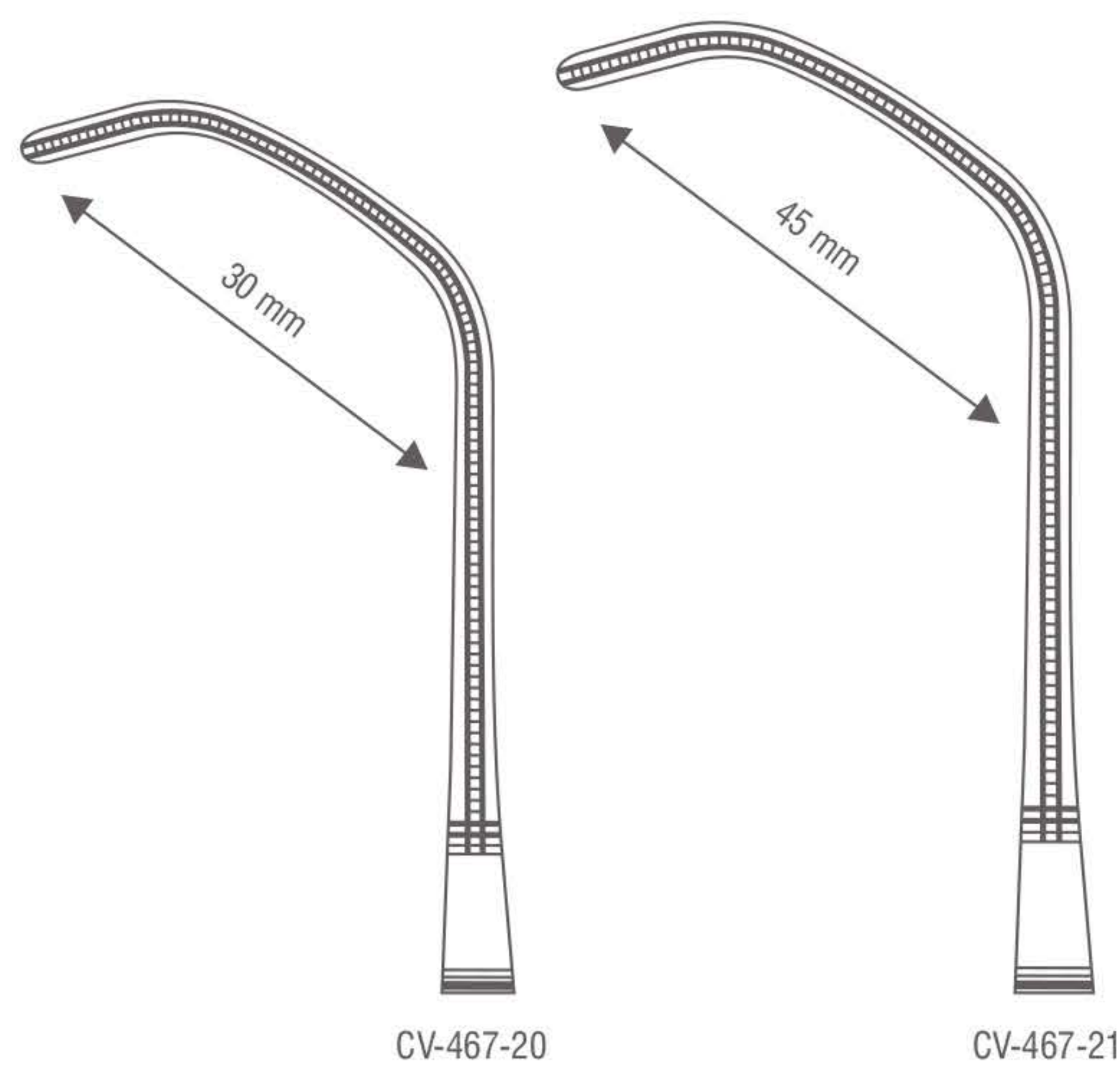
CV-465-18



Derra Atrauma Anastomosis Clamp

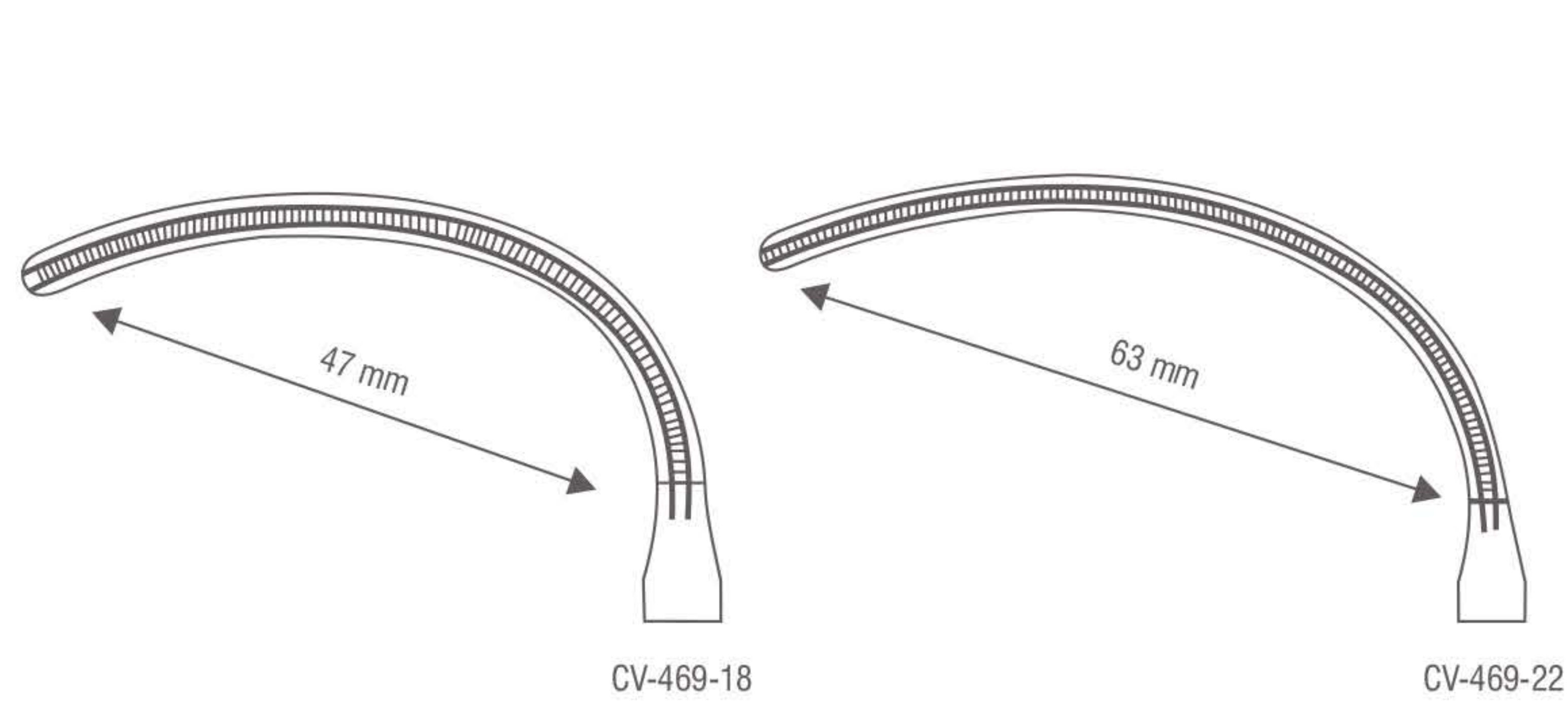
Catalog #	Size, Jaw, Profile
CV-465-16	16.5 cm (6 1/2"), 16 mm, Fig. 1
CV-465-17	17 cm (6 3/4"), 20 mm, Fig. 2
CV-465-18	18 cm (7"), 26 mm, Fig. 3

Cardiovascular Clamps
 Kardiovaskuläre Klemmen
 Pinzas cardiovasculares
 Pinces cardiovasculaires
 Pinze cardiovascolari



DeBakey-Beck Atrauma Anastomosis Clamp

Catalog #	Size, Jaw
CV-467-20	20.5 cm (8"), 30 mm
CV-467-21	21 cm (8 1/4"), 45 mm



Glover Atrauma Anastomosis Clamp

Catalog #	Size, Jaw
CV-469-18	18 cm (7"), 47 mm
CV-469-22	22 cm (8 3/4"), 63 mm

Cardiovascular Clamps
 Kardiovaskuläre Klemmen
 Pinzas cardiovasculares
 Pincas cardiovasculaires
 Pinze cardiovascolari



DeBakey Atrauma Pediatric Vascular Clamp
 Angled 90°

Catalog #	Size, Jaw
CV-470-10	10 cm (4"), 40 mm



DeBakey Atrauma Pediatric Vascular Clamp

Catalog #	Size, Jaw
CV-471-11	12.5 cm (5"), 53 mm

Cardiovascular Clamps
 Kardiovaskuläre Klemmen
 Pinzas cardiovasculares
 Pincas cardiovasculaires
 Pinze cardiovascolari



DeBakey Atrauma Pediatric Vascular Clamp

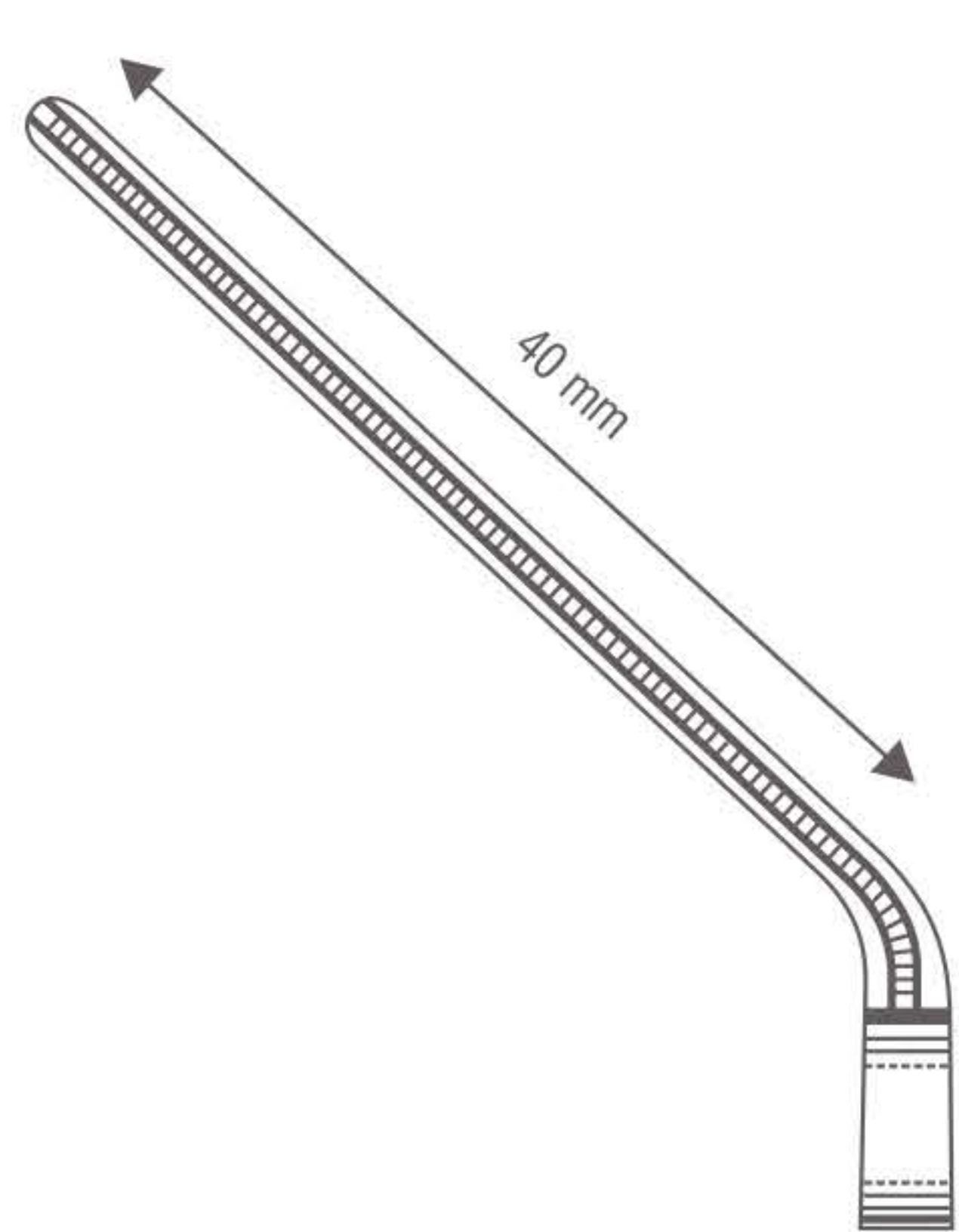
Catalog #	Size, Jaw
CV-473-12	13 cm (5"), 53 mm



**DeBakey Atrauma Pediatric Vascular Clamp
 Curved S-Shaped**

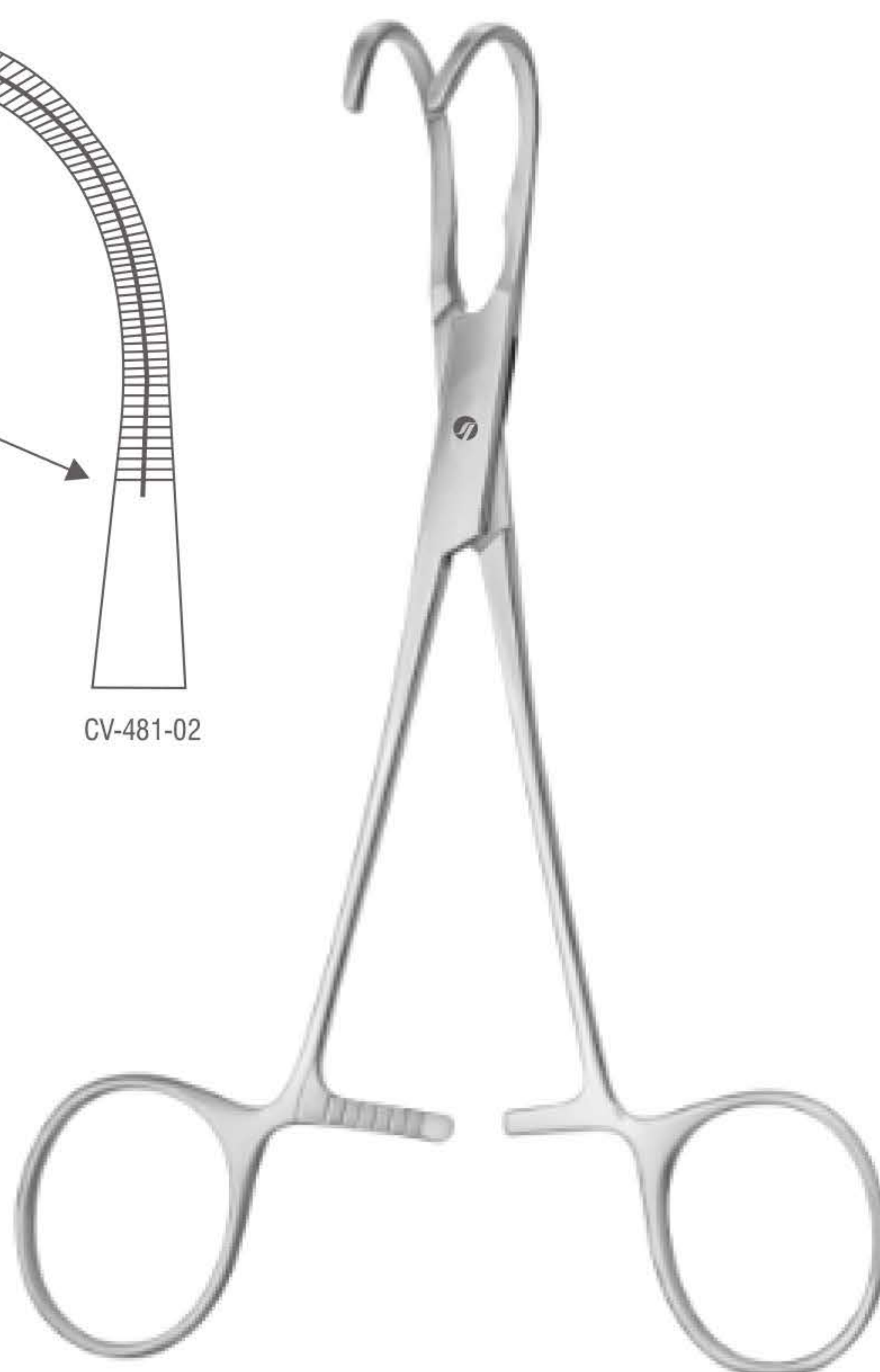
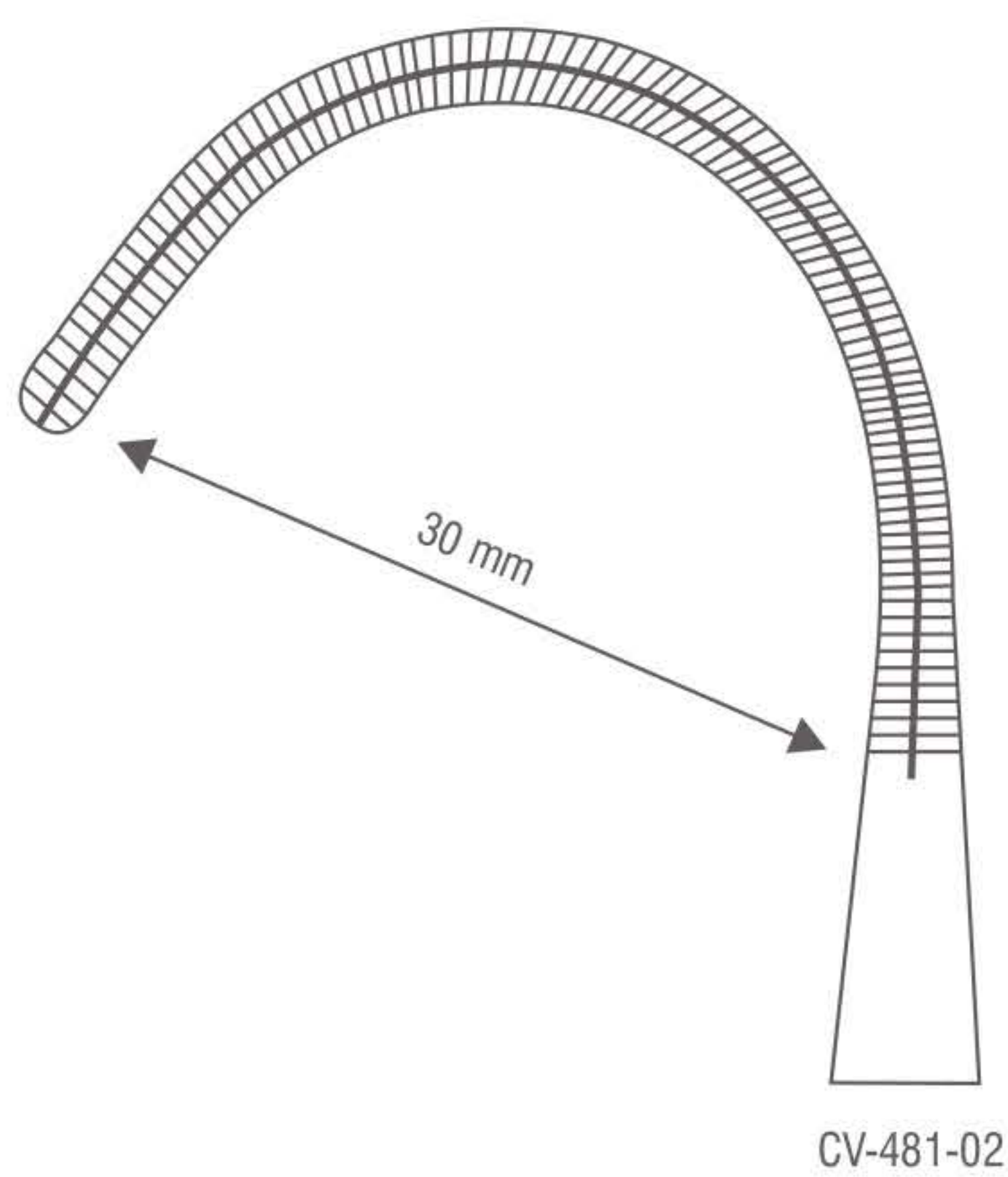
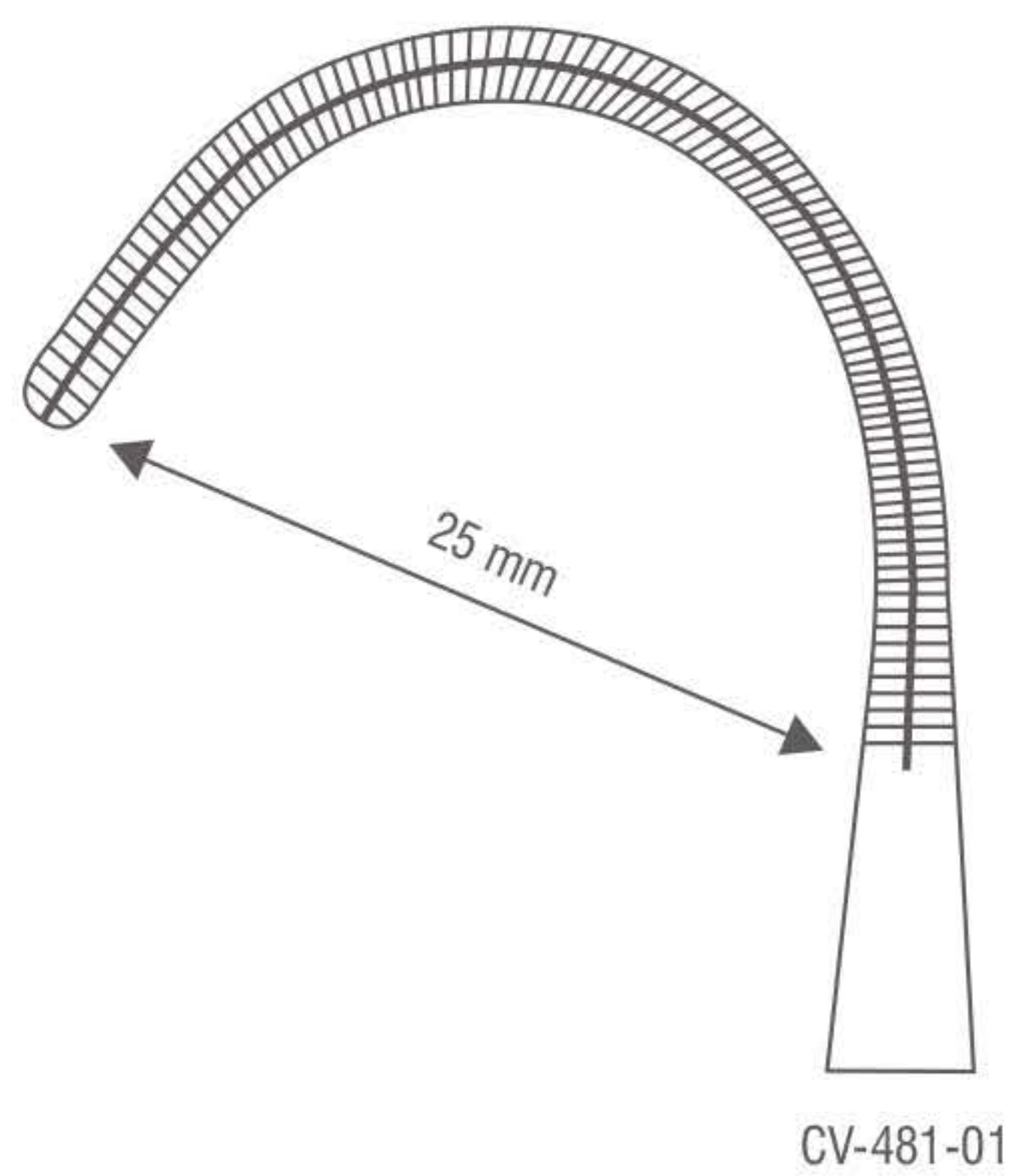
Catalog #	Size, Jaw
CV-475-12	12.5 cm (5"), 53 mm

Cardiovascular Clamps
 Kardiovaskuläre Klemmen
 Pinzas cardiovasculares
 Pincas cardiovasculaires
 Pinze cardiovascolari



DeBakey Atrauma Pediatric Vascular Clamp
 Angled 45°

Catalog #	Size, Jaw
CV-477-13	12.5 cm (5"), 40 mm



Cooley-Beck Atrauma Anastomosis Clamp

Catalog #	Size, Jaw
CV-481-01	15 cm (6"), 25 mm
CV-481-02	15.5 cm (6"), 30 mm

Cardiovascular Clamps
 Kardiovaskuläre Klemmen
 Pinzas cardiovasculares
 Pincas cardiovasculaires
 Pinze cardiovascolari

Cooley Atrauma Pediatric Vascular Clamp
 Straight

Catalog #	Size, Jaw
CV-482-01	14.5 cm (5 3/4"), 32 mm



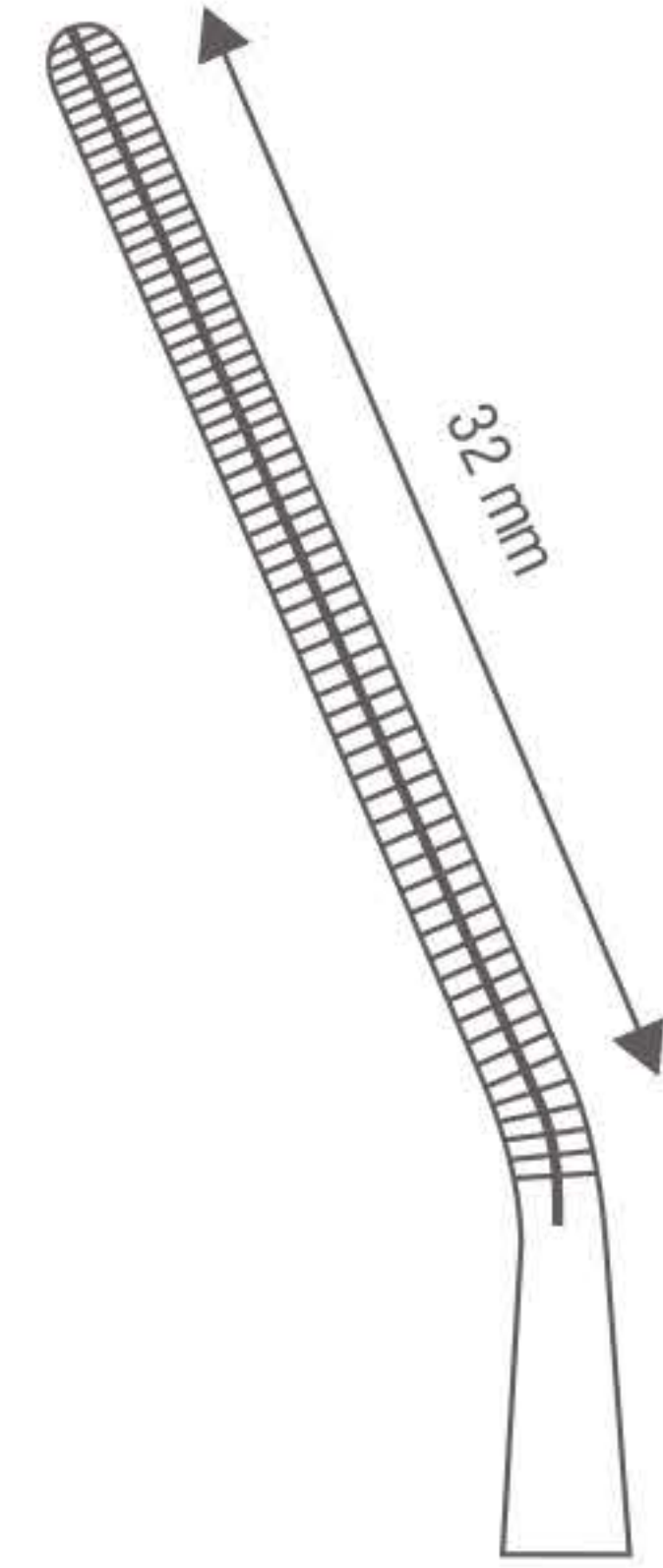
Cooley Atrauma Pediatric Vascular Clamp
 Angled 40°

Catalog #	Size, Jaw
CV-483-02	14.5 cm (5 3/4"), 32 mm



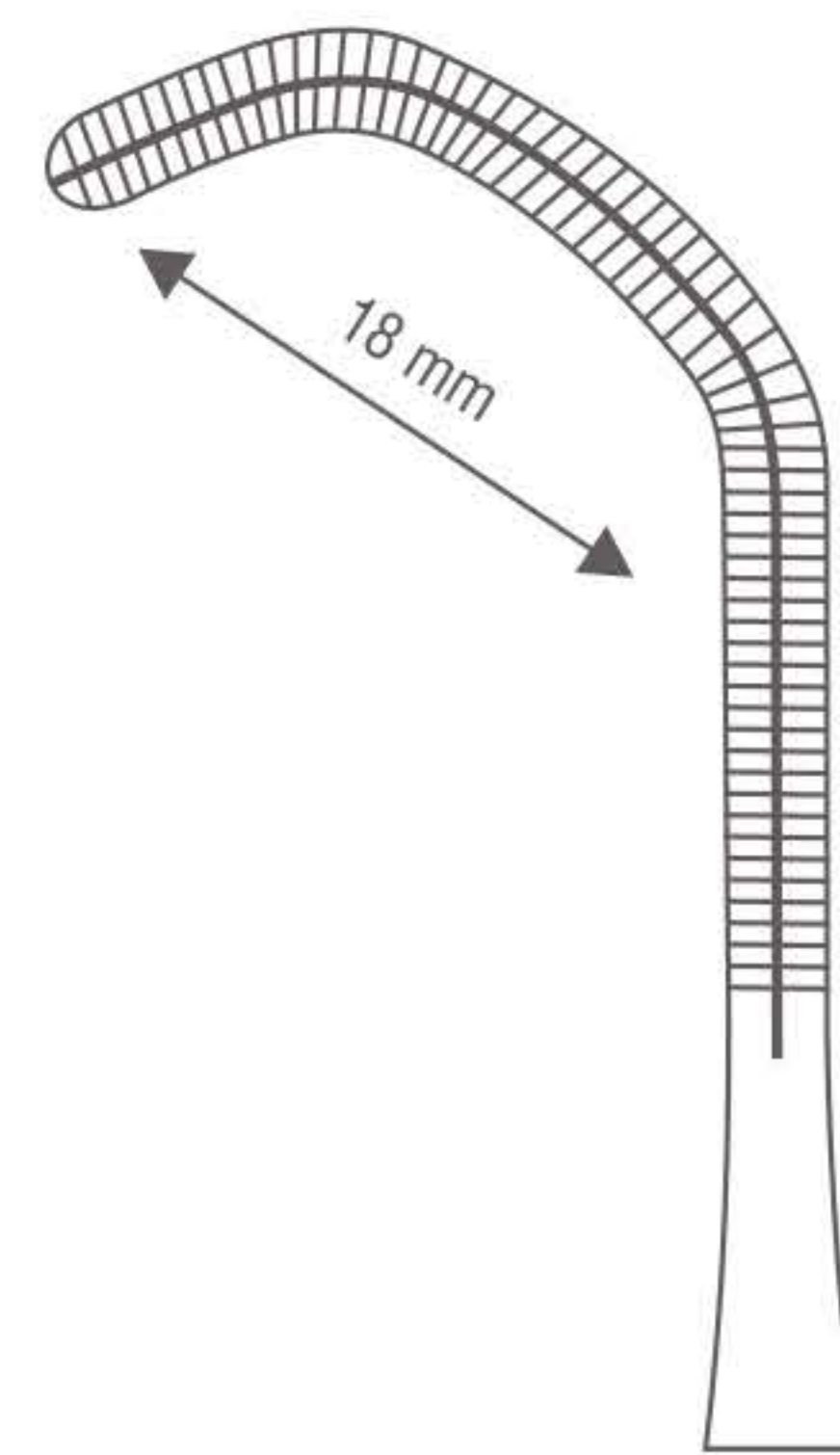
Cardiovascular Clamps
 Kardiovaskuläre Klemmen
 Pinzas cardiovasculares
 Pincas cardiovasculaires
 Pinze cardiovascolari

260



Cooley Atrauma Pediatric Vascular Clamp

Catalog #	Size, Jaw
CV-483-03	14 cm (5 1/2"), 32 mm



Cooley Atrauma Pediatric Vascular Clamp

Catalog #	Size, Jaw
CV-483-04	14 cm (5 1/2"), 18 mm

Cardiovascular Clamps
 Kardiovaskuläre Klemmen
 Pinzas cardiovasculares
 Pinces cardiovasculaires
 Pinze cardiovascolari



Cooley Atrauma Pediatric Vascular Clamp

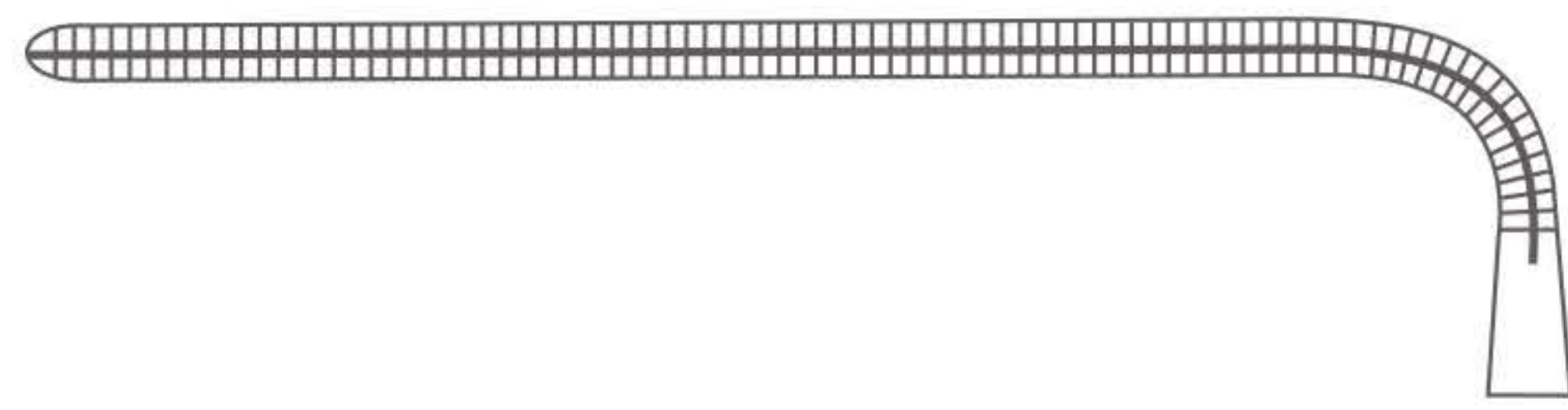
Catalog #	Size, Jaw
CV-483-05	14.5 cm (5 3/4"), 30 mm



**Cooley Atrauma Pediatric Vascular Clamp
 Curved**

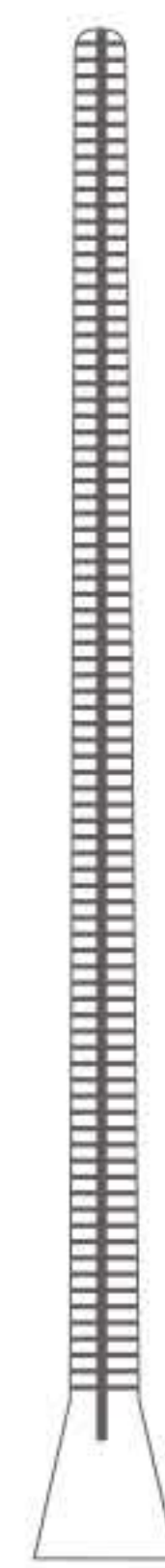
Catalog #	Size, Jaw
CV-483-06	14 cm (5 1/2"), 30 mm

Cardiovascular Clamps
 Kardiovaskuläre Klemmen
 Pinzas cardiovasculares
 Pincas cardiovasculaires
 Pinze cardiovascolari



Cooley Atrauma Pediatric Vascular Clamp
 Angled 90°

Catalog #	Size, Jaw
CV-483-07	10 cm (4"), 41 mm



Cooley Atrauma Pediatric Vascular Clamp
 Angled 15°

Catalog #	Size, Jaw
CV-483-08	12.5 cm (5"), 50 mm

Cardiovascular Clamps
 Kardiovaskuläre Klemmen
 Pinzas cardiovasculares
 Pincas cardiovasculaires
 Pinze cardiovascolari



Cooley Atrauma Pediatric Vascular Clamp
 Curved

703R

Catalog #	Size, Jaw
CV-483-09	12.5 cm (5"), 50 mm



Cooley Atrauma Pediatric Vascular Clamp

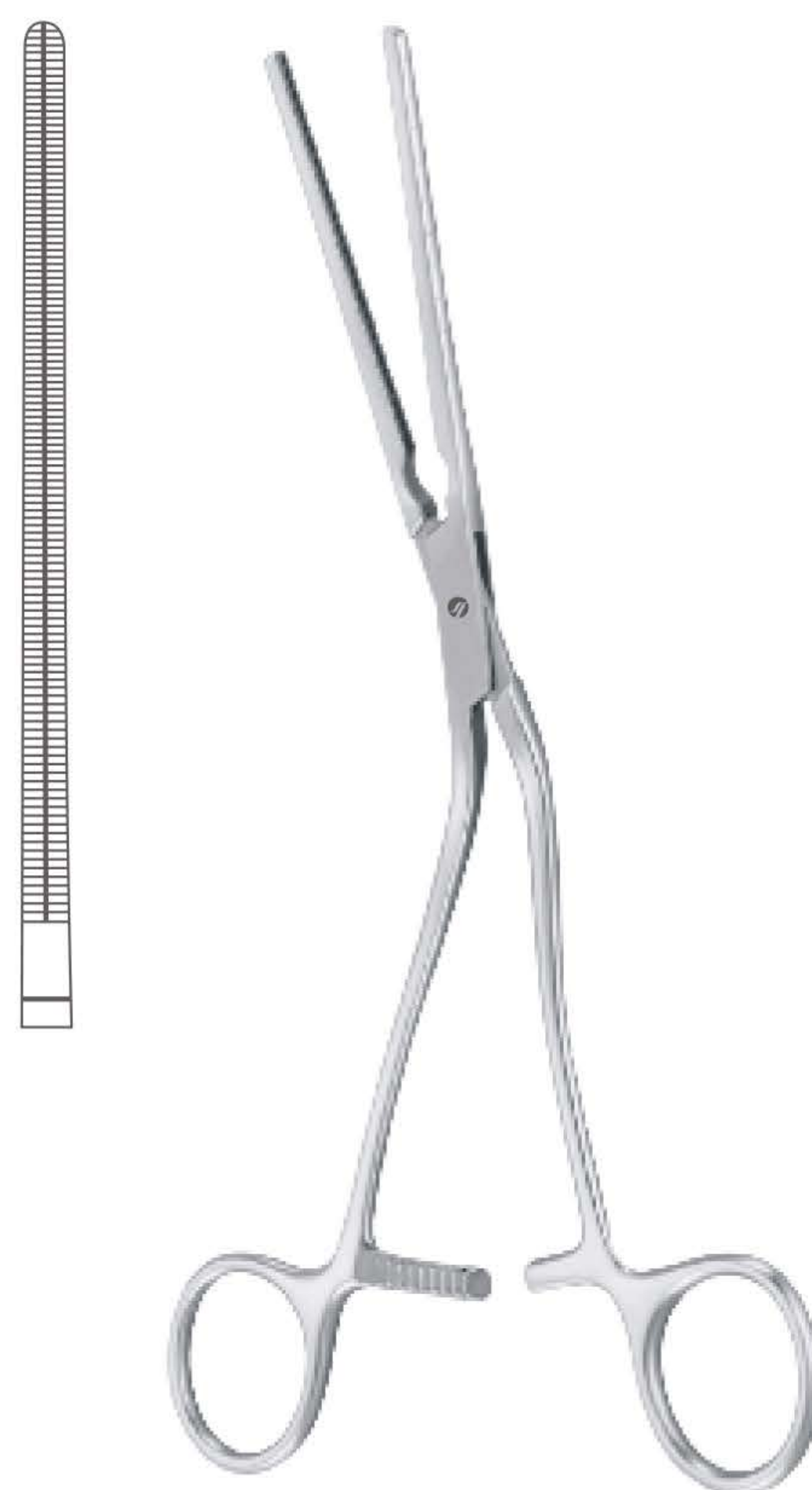
Catalog #	Size, Jaw
CV-483-10	12.5 cm (5"), 52 mm

Cardiovascular Clamps
 Kardiovaskuläre Klemmen
 Pinzas cardiovasculares
 Pincés cardiovasculaires
 Pinze cardiovascolari



Cooley Atrauma Pediatric Vascular Clamp

Catalog #	Size, Jaw
CV-483-11	12 cm (4 3/4"), 50 mm



Cooley Atrauma Anastomosis Clamp
 Iliac Clamp

Catalog #	Size, Jaw
CV-485-21	22 cm (8 3/4"), 68 mm

Cardiovascular Clamps
 Kardiovaskuläre Klemmen
 Pinzas cardiovasculares
 Pincas cardiovasculaires
 Pinze cardiovascolari



Cooley Atrauma Anastomosis Clamp

Catalog #	Size, Jaw
CV-488-16	16 cm (6 1/4"), 41 mm
CV-488-17	17 cm (6 3/4"), 52 mm

**Cooley Atrauma Anastomosis Clamp
 Carotid Clamp**



Catalog #	Size, Jaw
CV-491-18	18.5 cm (7 1/4"), 74 mm
CV-491-20	20 cm (8"), 86 mm

Cardiovascular Clamps
 Kardiovaskuläre Klemmen
 Pinzas cardiovasculares
 Pincas cardiovasculaires
 Pinze cardiovascolari



Cooley Atrauma Anastomosis Clamp

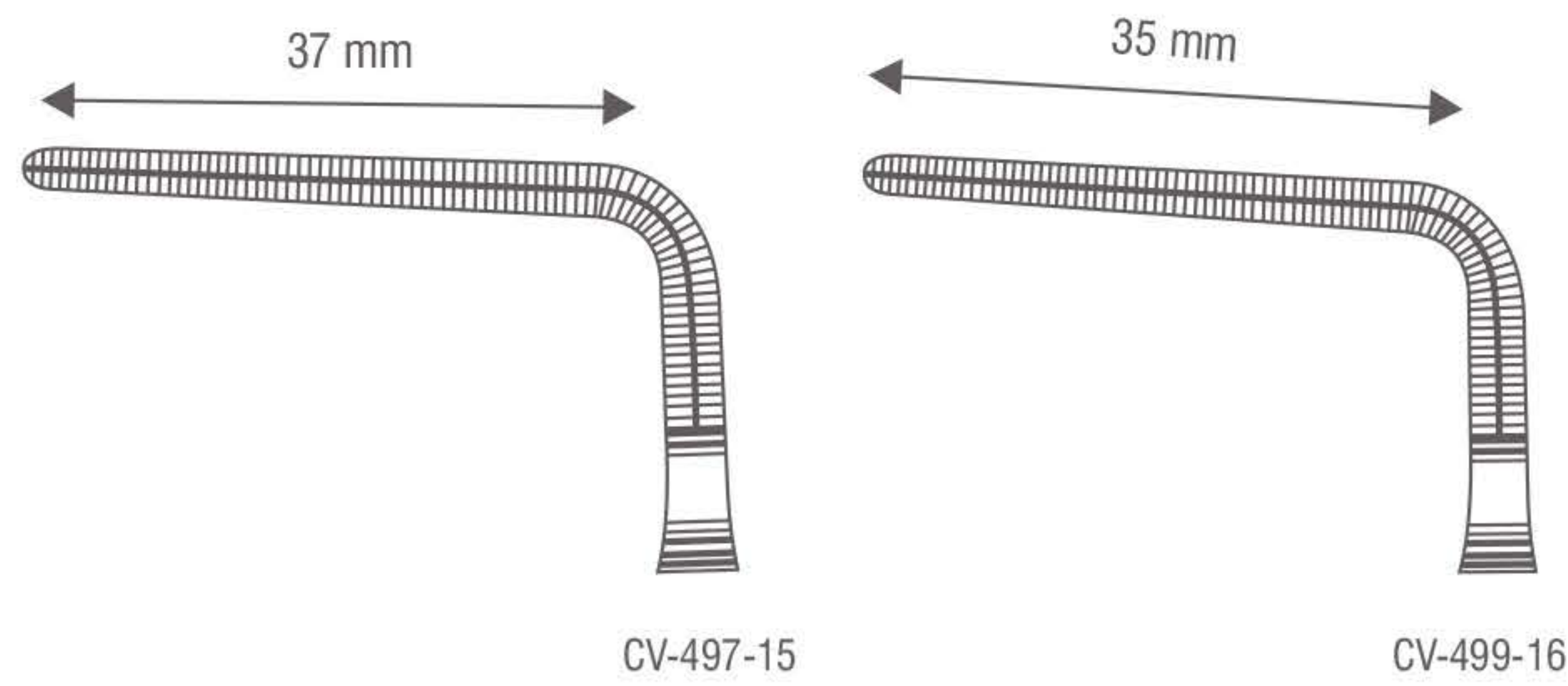
Catalog #	Size, Jaw
CV-493-17	17 cm (6 3/4"), 17 mm



Cooley Atrauma Anastomosis Clamp

Catalog #	Size, Jaw
CV-495-16	16 cm (6 1/4"), 20 mm

Cardiovascular Clamps
 Kardiovaskuläre Klemmen
 Pinzas cardiovasculares
 Pinces cardiovasculaires
 Pinze cardiovascolari



Cooley Atrauma Multipurpose Vascular Clamp

Catalog #	Size, Jaw, Profile
CV-497-15	14 cm (5 1/2"), 37 mm, Angled 90°
CV-499-16	16 cm (6 1/4"), 35 mm, Angled 60°



CV-501-17

CV-503-16

CV-503-17



Cooley Atrauma Multipurpose Vascular Clamp

Catalog #	Size, Jaw, Profile
CV-501-17	16.5 cm (6 1/2"), 35 mm, Angled 30°
CV-503-16	16 cm (6 1/4"), 41 mm
CV-503-17	17 cm (6 3/4"), 52 mm

Cardiovascular Clamps
 Kardiovaskuläre Klemmen
 Pinzas cardiovasculares
 Pincés cardiovasculaires
 Pinze cardiovascolari



Cooley Atrauma Multipurpose Vascular Clamp

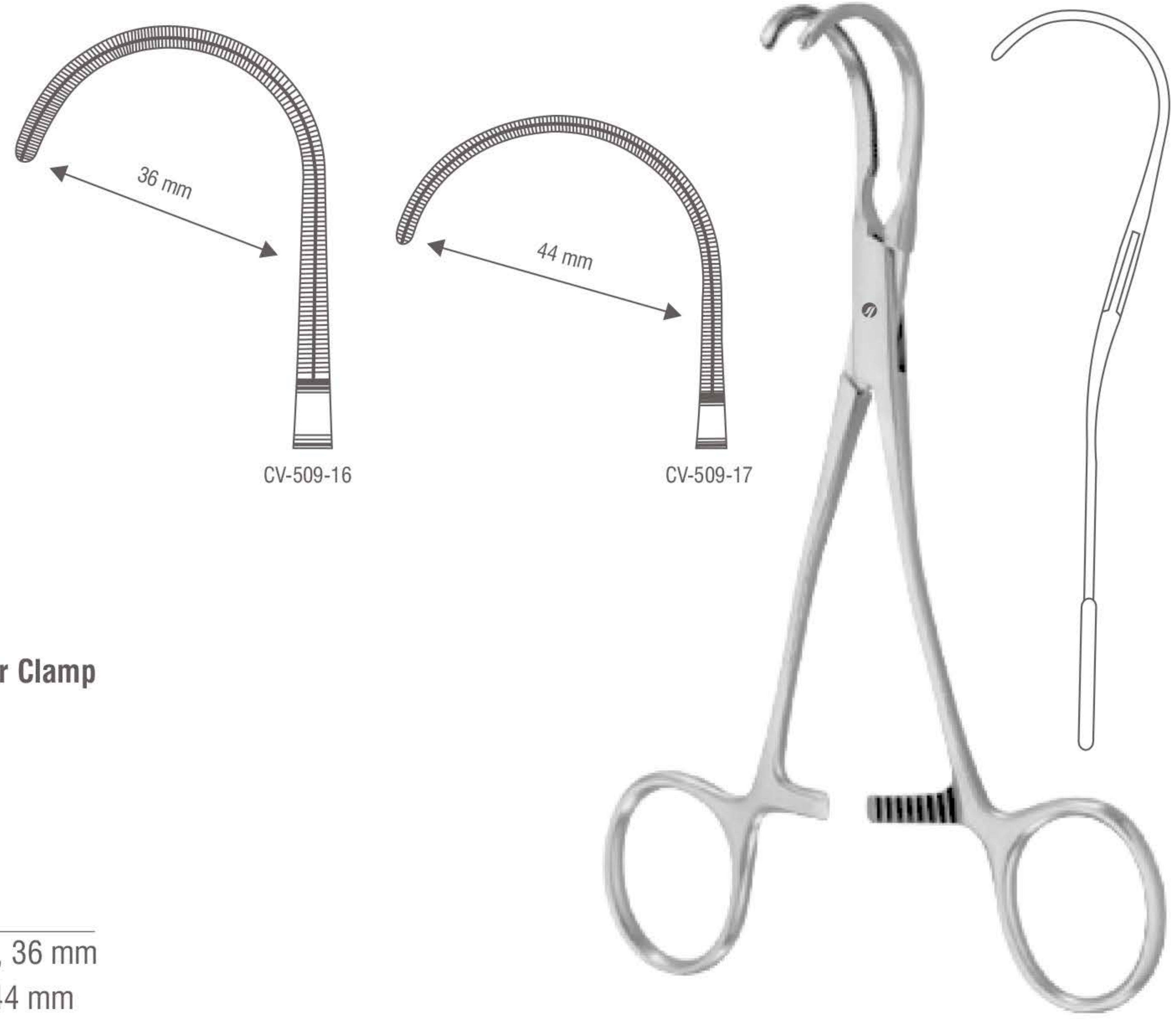
Catalog #	Size, Jaw
CV-505-17	17 cm (6 3/4"), 52 mm



Cooley Atrauma Multipurpose Vascular Clamp

Catalog #	Size, Jaw
CV-507-17	17.5 cm (7"), 63 mm

Cardiovascular Clamps
 Kardiovaskuläre Klemmen
 Pinzas cardiovasculares
 Pincès cardiovasculaires
 Pinze cardiovascolari



Cooley Atrauma Multipurpose Vascular Clamp

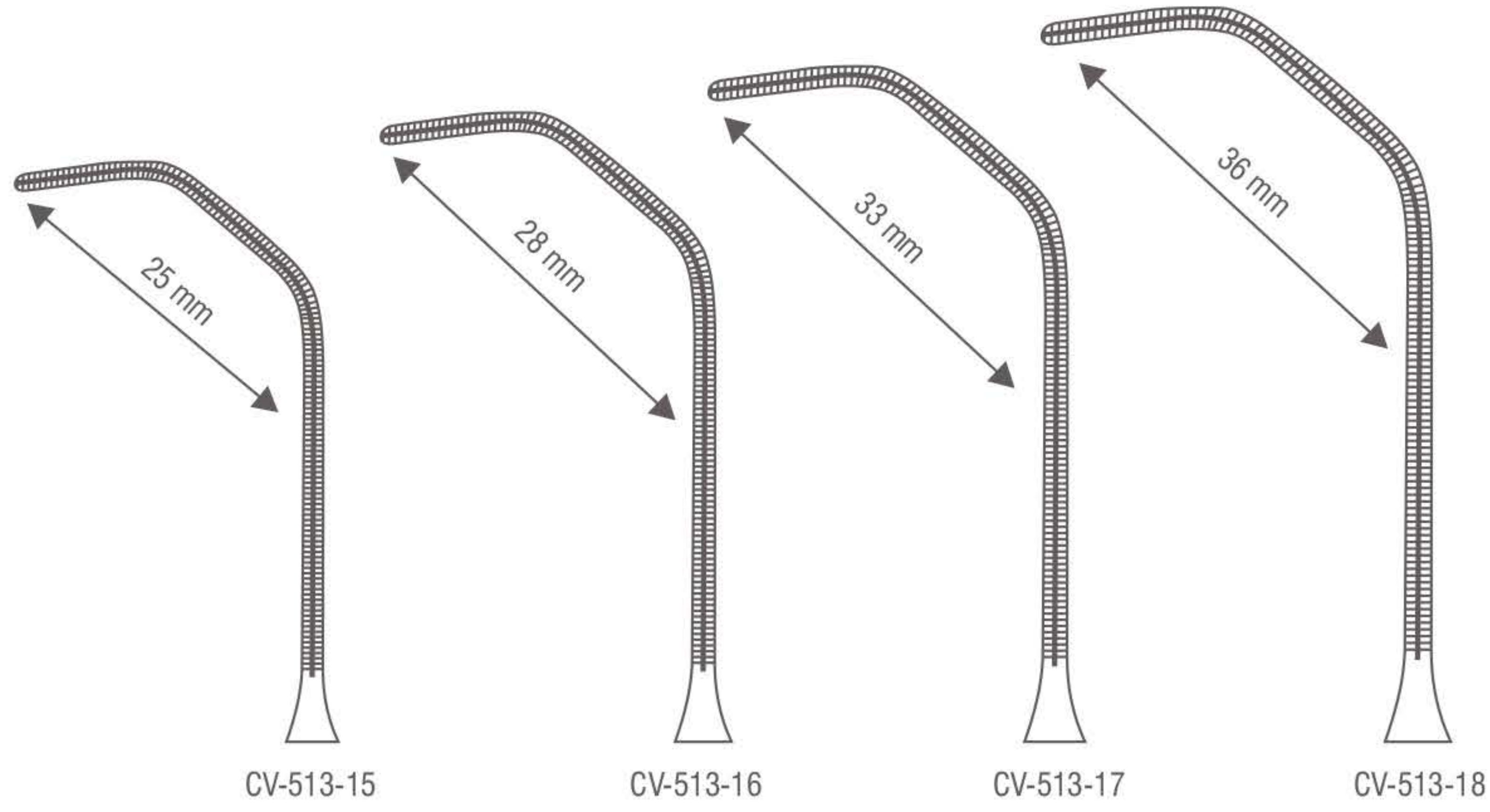
Catalog #	Size, Jaw
CV-509-16	16.5 cm (6 1/2"), 36 mm
CV-509-17	17 cm (6 3/4"), 44 mm



Cooley-Derra Atrauma Anastomosis Clamp

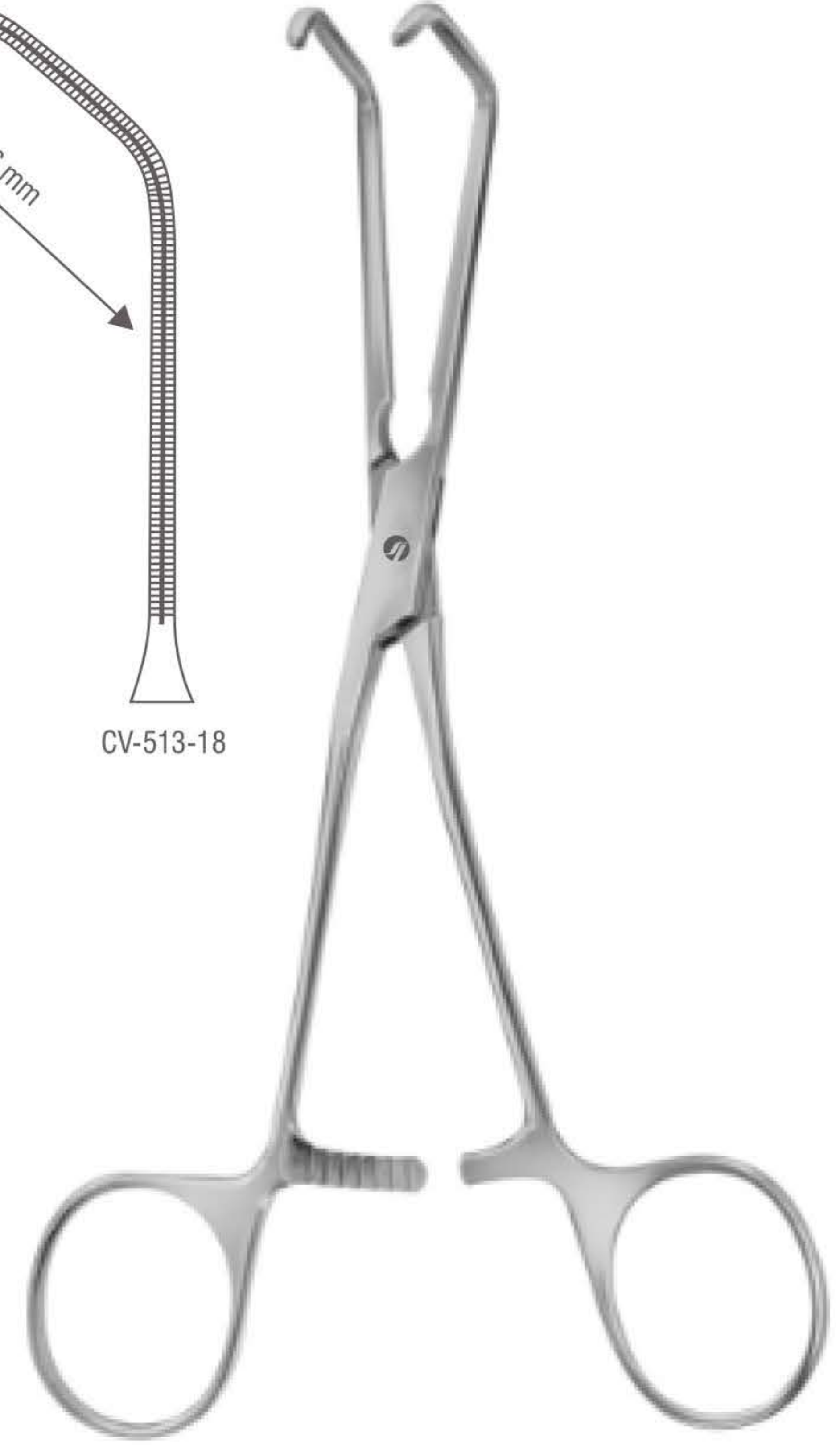
Catalog #	Size, Jaw
CV-511-16	16.5 cm (6 1/2"), 16 mm
CV-511-17	17 cm (6 3/4"), 21 mm
CV-511-18	17.5 cm (7"), 27 mm

Cardiovascular Clamps
 Kardiovaskuläre Klemmen
 Pinzas cardiovasculares
 Pincés cardiovasculaires
 Pinze cardiovascolari



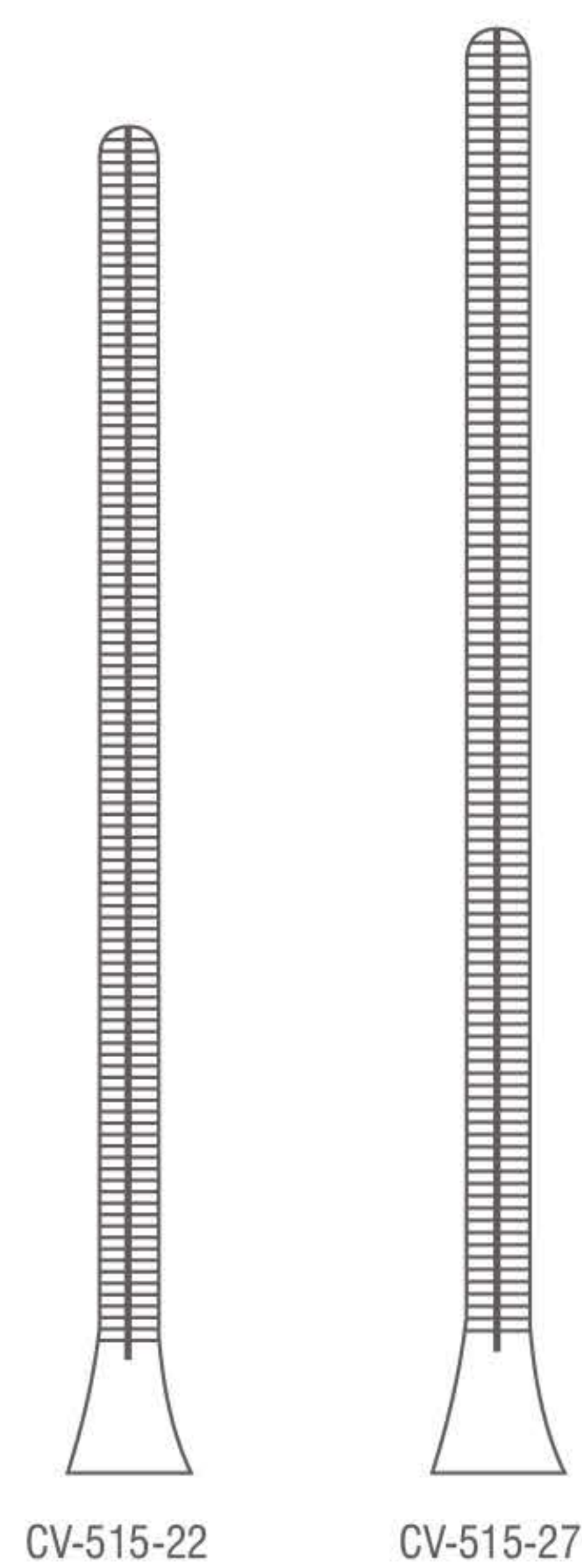
Cooley-Beck Atrauma Anastomosis Clamp

Catalog #	Size, Jaw
CV-513-15	16.5 cm (6 1/2"), 25 mm
CV-513-16	16.5 cm (6 1/2"), 28 mm
CV-513-17	17 cm (6 3/4"), 33 mm
CV-513-18	18 cm (7"), 36 mm

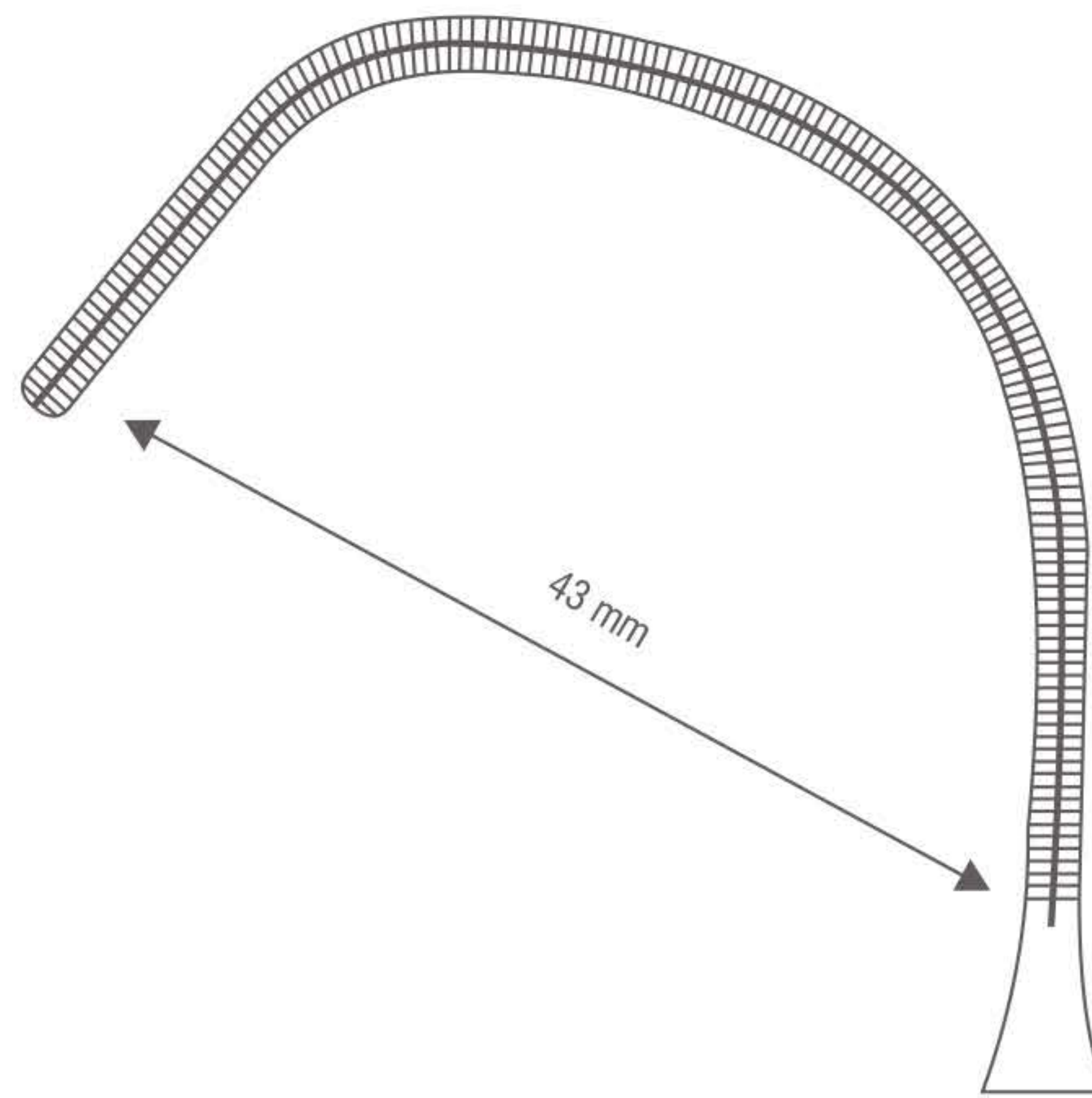


Cooley Atrauma Multipurpose Vascular Clamp

Catalog #	Size, Jaw
CV-515-22	22.5 cm (8 3/4"), 68 mm
CV-515-27	27 cm (10 3/4"), 75 mm



Cardiovascular Clamps
 Kardiovaskuläre Klemmen
 Pinzas cardiovasculares
 Pincés cardiovasculaires
 Pinze cardiovascolari



Leitz Atrauma Anastomosis Clamp

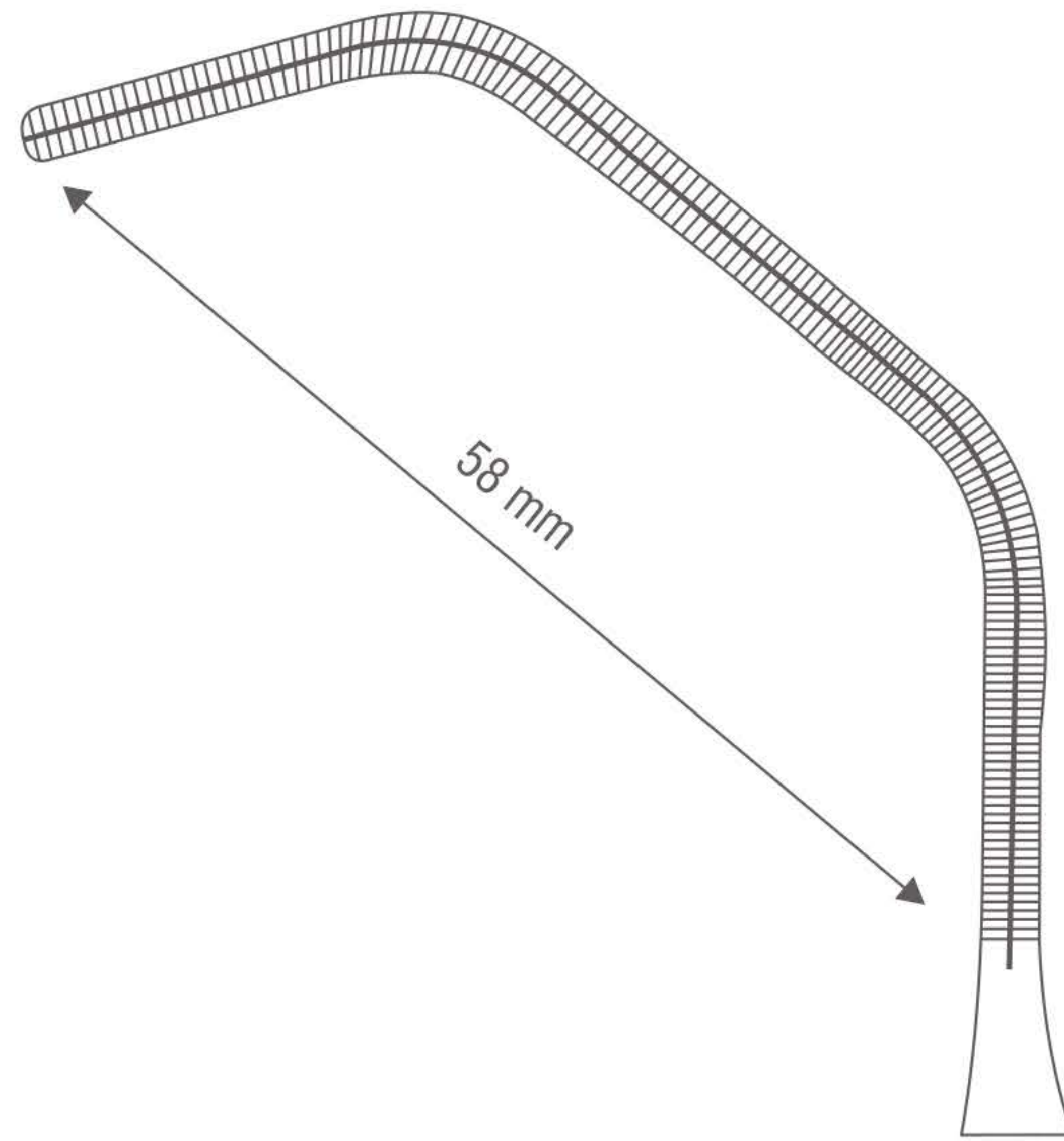
Catalog #	Size, Jaw
CV-517-20	20.5 cm (8"), 43 mm



Cooley Atrauma Anastomosis Clamp

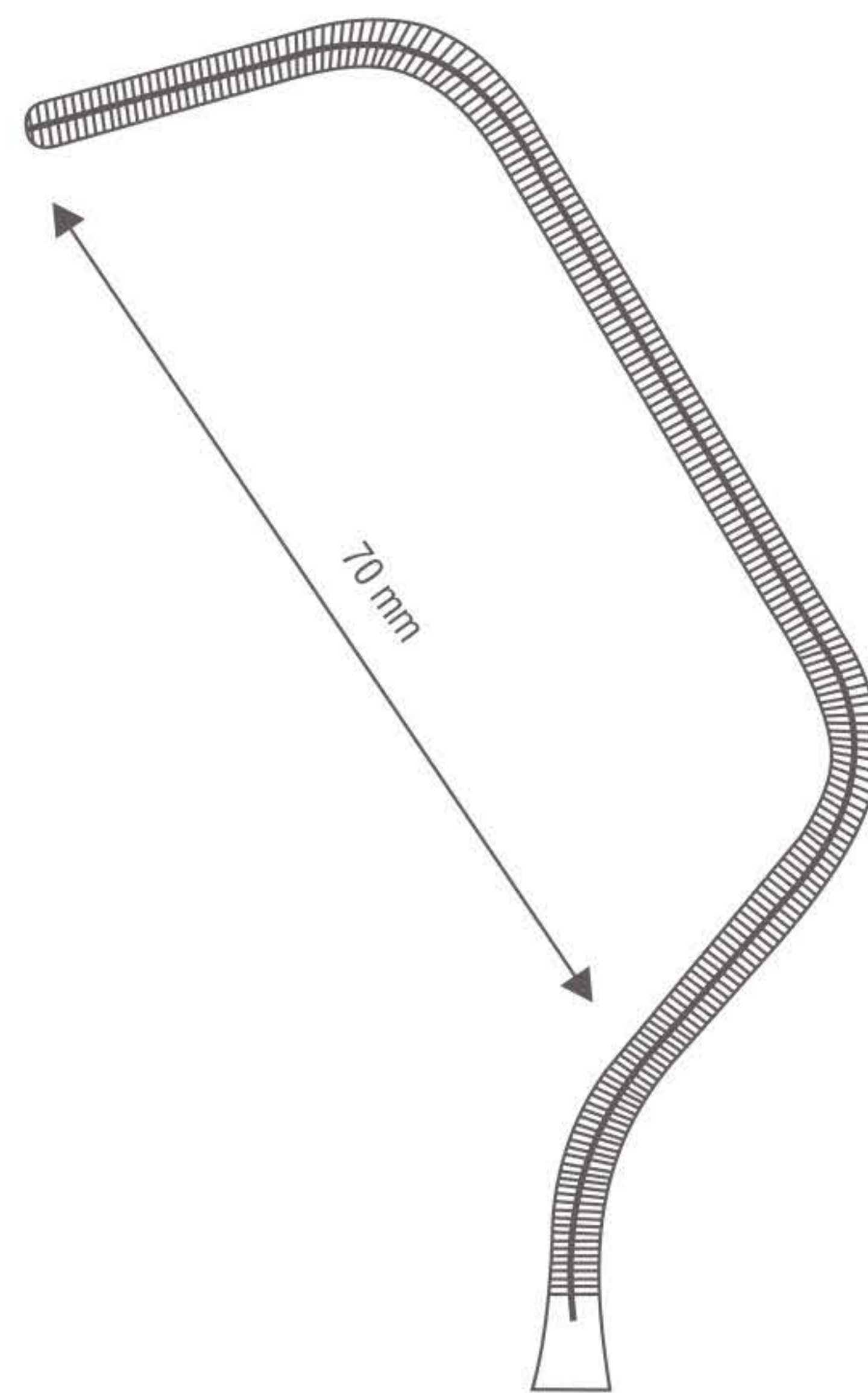
Catalog #	Size, Jaw
CV-519-26	26 cm (10 1/4"), 108 mm

Cardiovascular Clamps
 Kardiovaskuläre Klemmen
 Pinzas cardiovasculares
 Pincés cardiovasculaires
 Pinze cardiovascolari



Cooley Atrauma Anastomosis Clamp

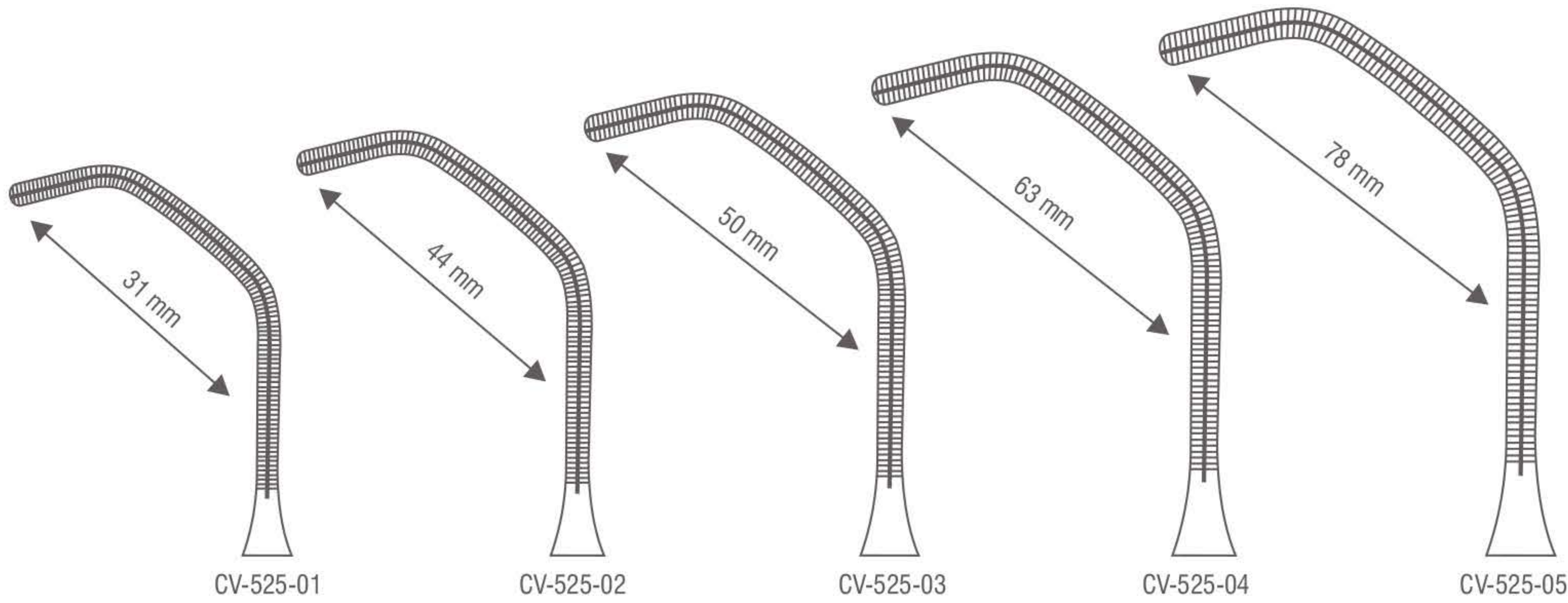
Catalog #	Size, Jaw
CV-521-26	26 cm (10 1/4"), 58 mm



Cooley-Parry Atrauma Anastomosis Clamp

Catalog #	Size, Jaw
CV-523-29	29.5 cm (11 1/2"), 70 mm

Cardiovascular Clamps
 Kardiovaskuläre Klemmen
 Pinzas cardiovasculares
 Pinces cardiovasculaires
 Pinze cardiovascolari



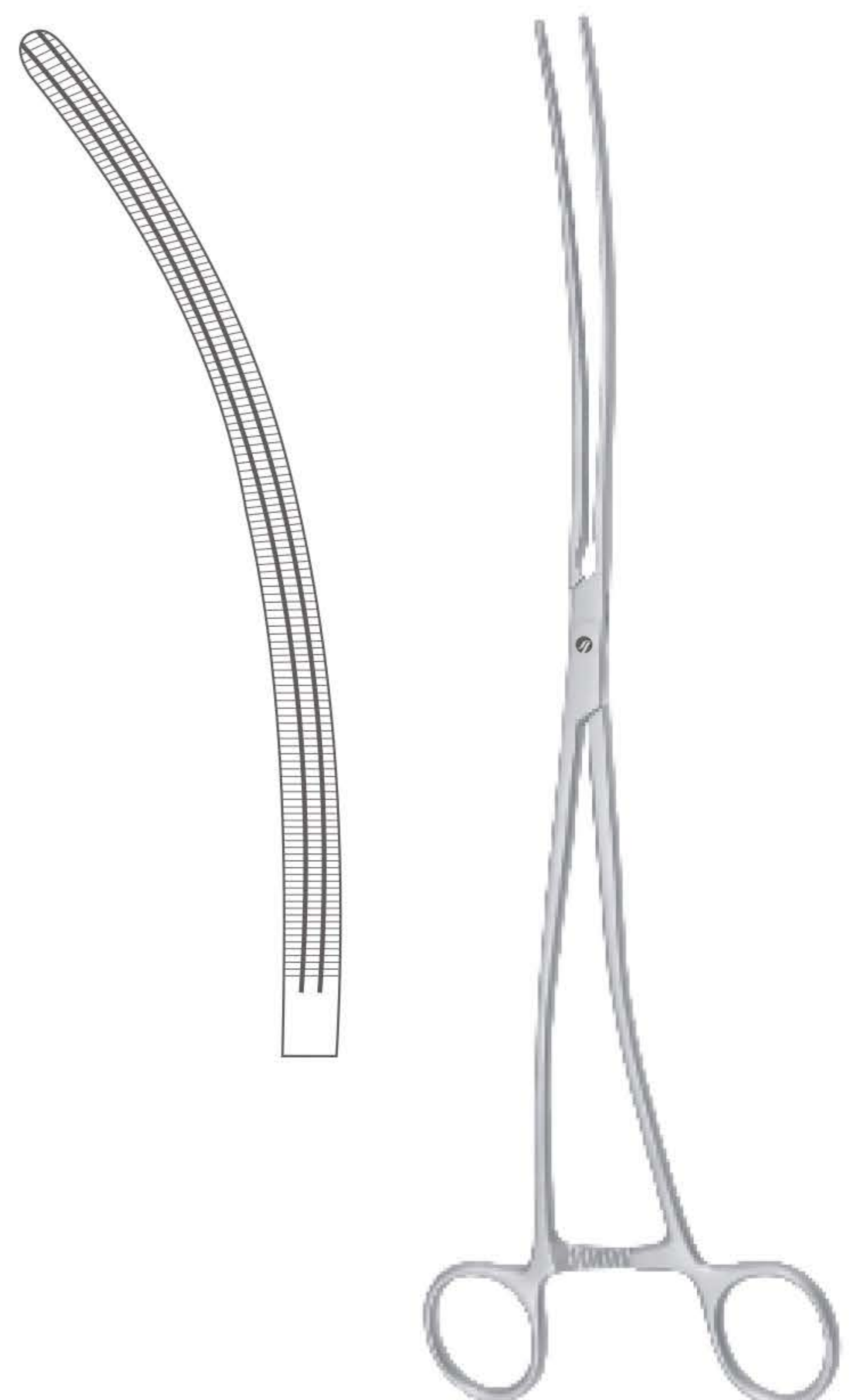
Cooley Atrauma Anastomosis Clamp

Catalog #	Size, Jaw
CV-525-01	20.5 cm (8"), 31 mm
CV-525-02	26 cm (10 1/4"), 44 mm
CV-525-03	26.5 cm (10 1/2"), 50 mm
CV-525-04	26.5 cm (10 1/2"), 63 mm
CV-525-05	27.5 cm (10 3/4"), 78 mm

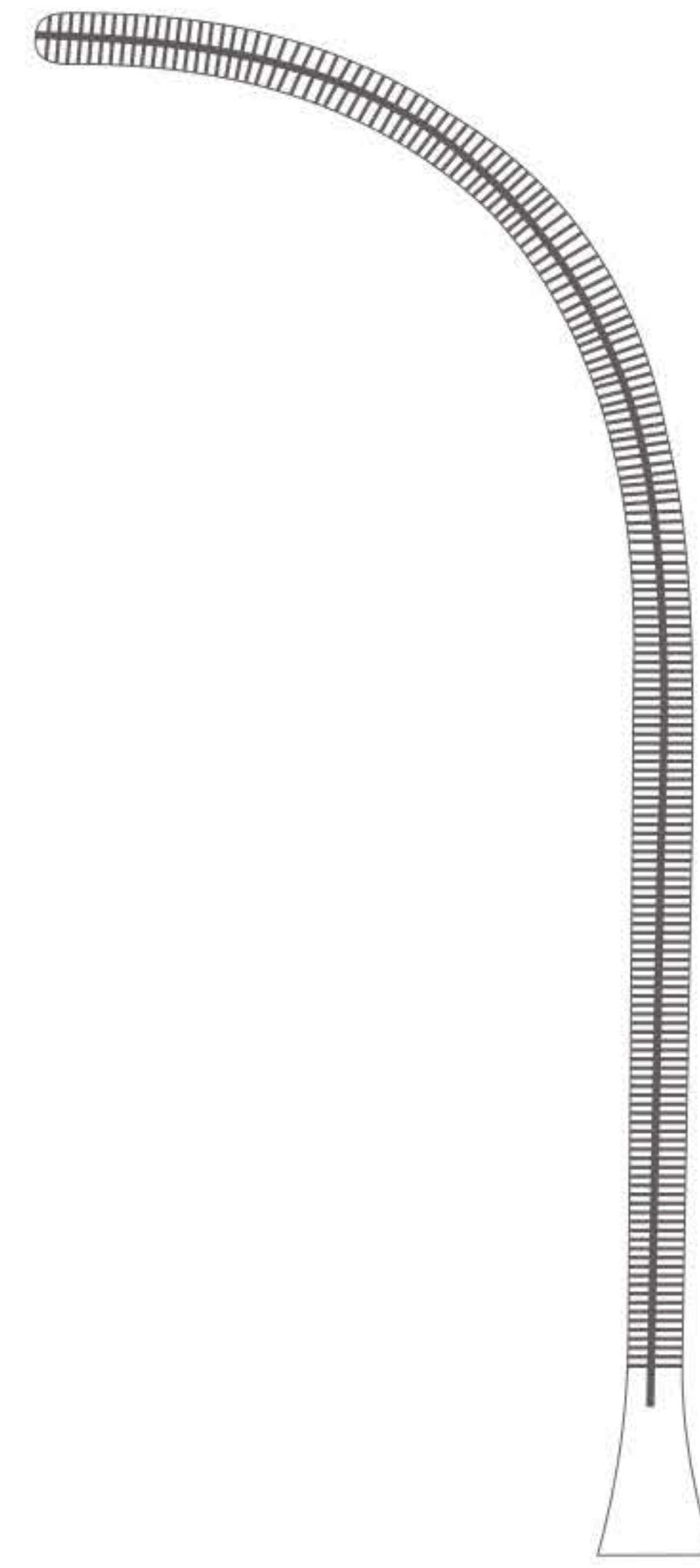


Cooley Atrauma Aortic Clamp

Catalog #	Size, Jaw
CV-527-32	32 cm (12 1/2"), 115 mm

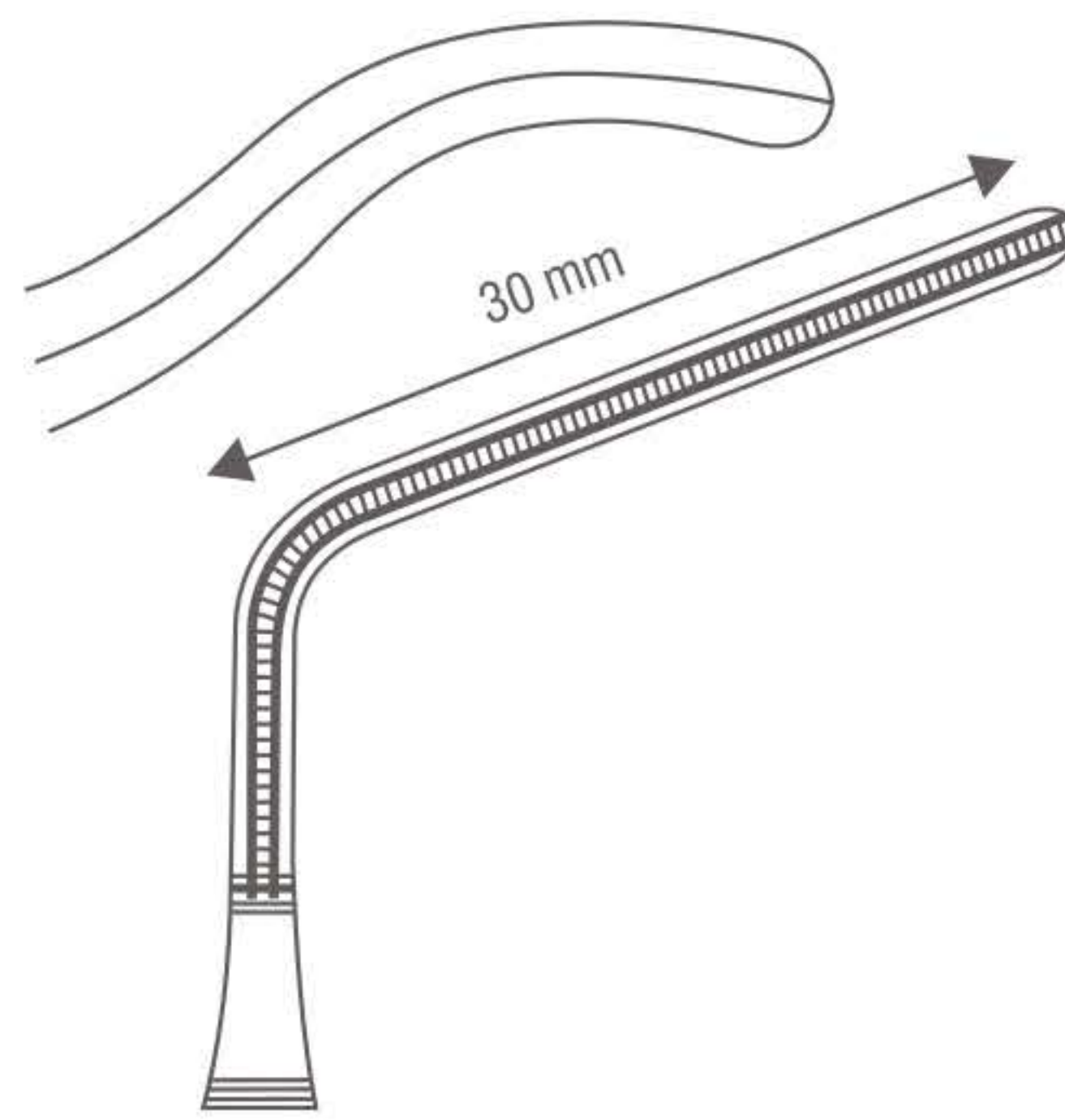


Cardiovascular Clamps
 Kardiovaskuläre Klemmen
 Pinzas cardiovasculares
 Pincas cardiovasculaires
 Pinze cardiovascolari



Cooley Atrauma Multipurpose Vascular Clamp

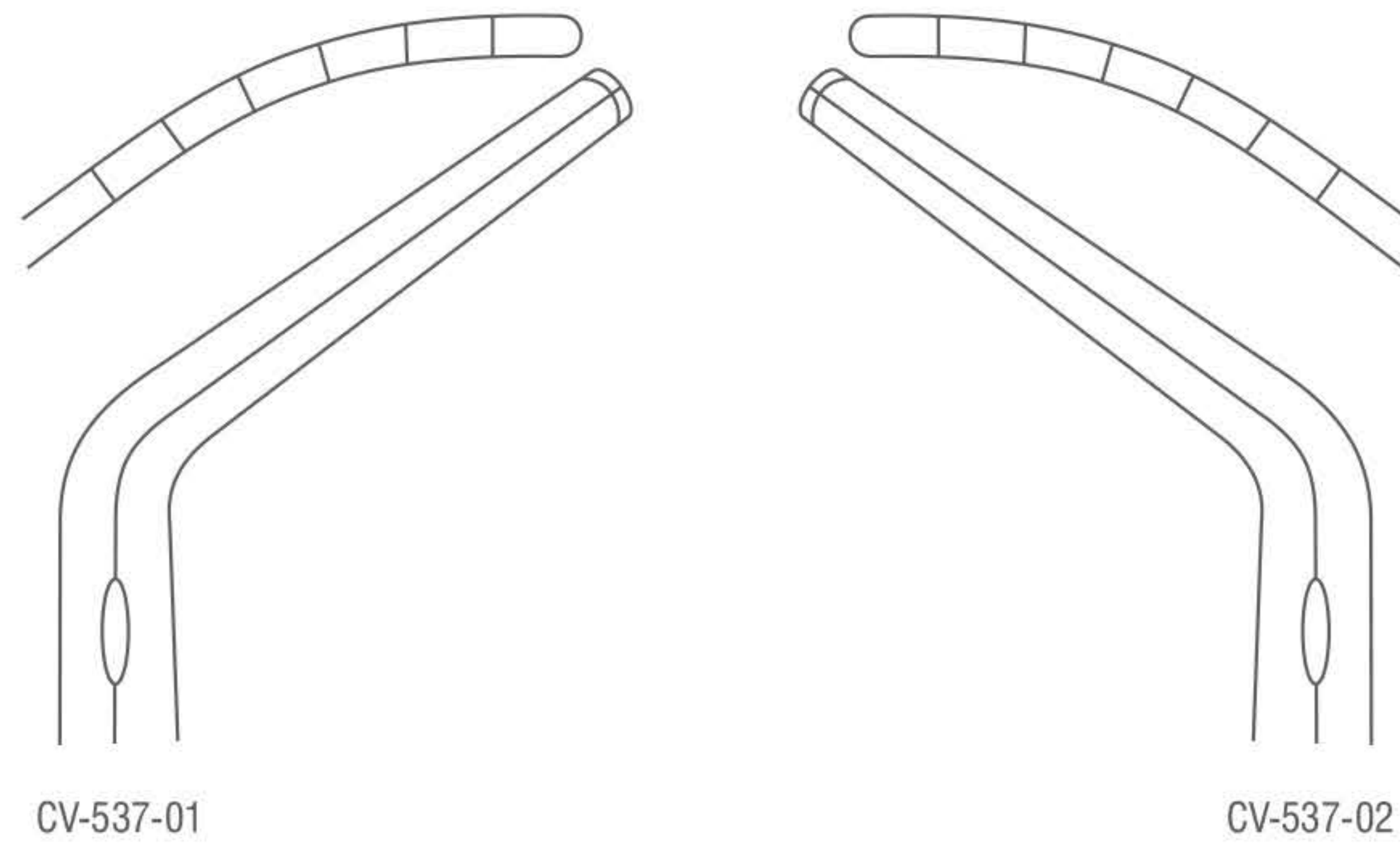
Catalog #	Size, Jaw
CV-529-28	28.5 cm (11 1/4"), 82 mm



Subramanian-Miniature Atrauma Aortic Clamp
 Angled 135°

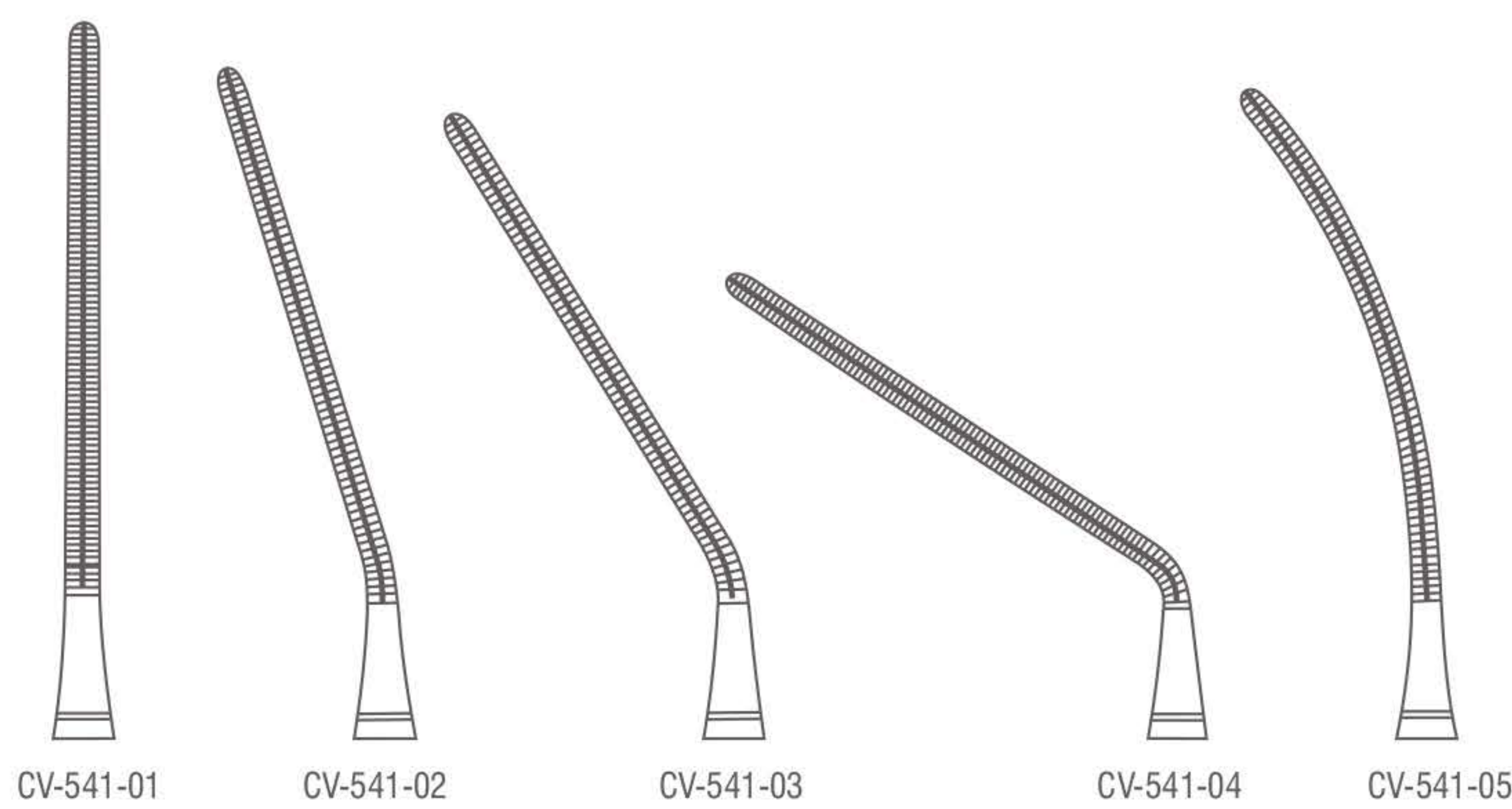
Catalog #	Size, Jaw
CV-535-15	15.5 cm (6"), 30 mm

Cardiovascular Clamps
 Kardiovaskuläre Klemmen
 Pinzas cardiovasculares
 Pinces cardiovasculaires
 Pinze cardiovascolari



Subramanian Atrauma Aortic Clamp

Catalog #	Size
CV-537-01	16 cm (6 1/4")
CV-537-02	16 cm (6 1/4")

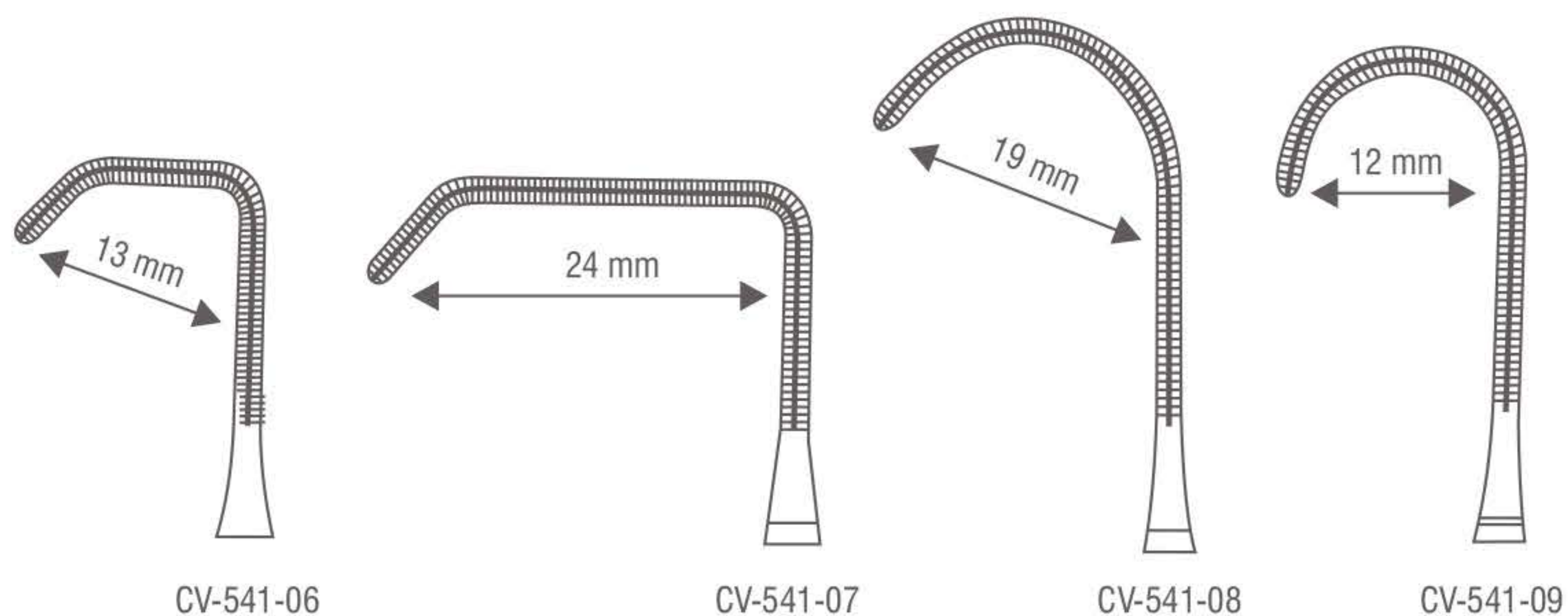


Cooley Atrauma Pediatric Clamp
 Fig. 1, Straight

Catalog #	Size, Jaw, Profile
CV-541-01	13.5 cm (5 1/4"), 50 mm, Fig. 1, Straight
CV-541-02	13.5 cm (5 1/4"), 33 mm, Fig. 2, Angled 30°
CV-541-03	14 cm (5 1/2"), 31 mm, Fig. 3, Angled 45°
CV-541-04	13.5 cm (5 1/4"), 31 mm, Fig. 4, Angled 60°
CV-541-05	13.5 cm (5 1/4"), 50 mm, Fig. 5, Curved



Cardiovascular Clamps
 Kardiovaskuläre Klemmen
 Pinzas cardiovasculares
 Pincas cardiovasculaires
 Pinze cardiovascolari



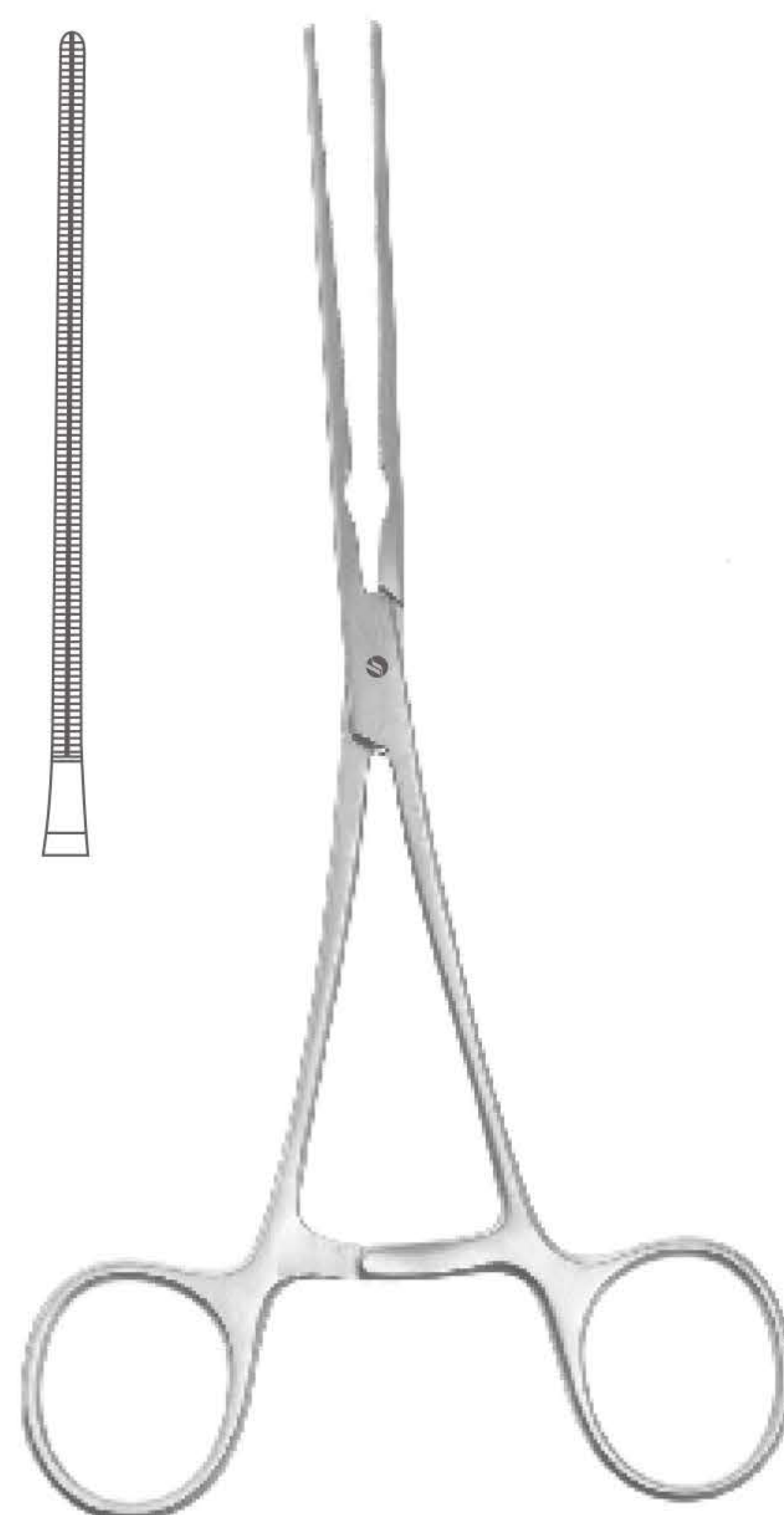
Cooley Atrauma Pediatric Clamp

Catalog #	Size, Jaw, Profile
CV-541-06	12.5 cm (5"), 13 mm, Fig. 6
CV-541-07	13.5 cm (5 1/4"), 24 mm, Fig. 7
CV-541-08	13.5 cm (5 1/4"), 19 mm, Fig. 8
CV-541-09	13.5 cm (5 1/4"), 12 mm, Fig. 9

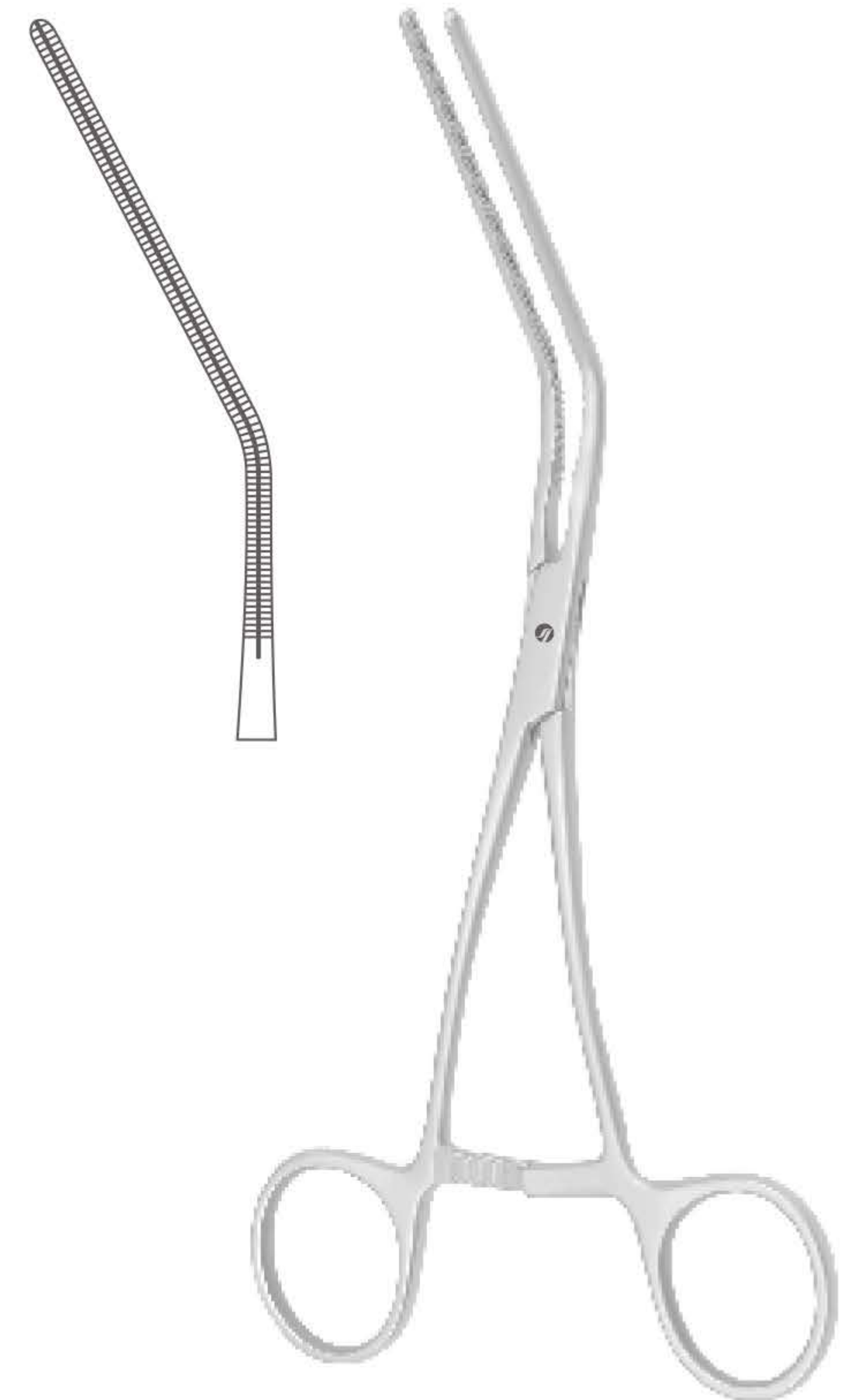


Cooley Atrauma Pediatric Clamp

Catalog #	Size, Jaw
CV-544-16	16.5 cm (6 1/2"), 52 mm

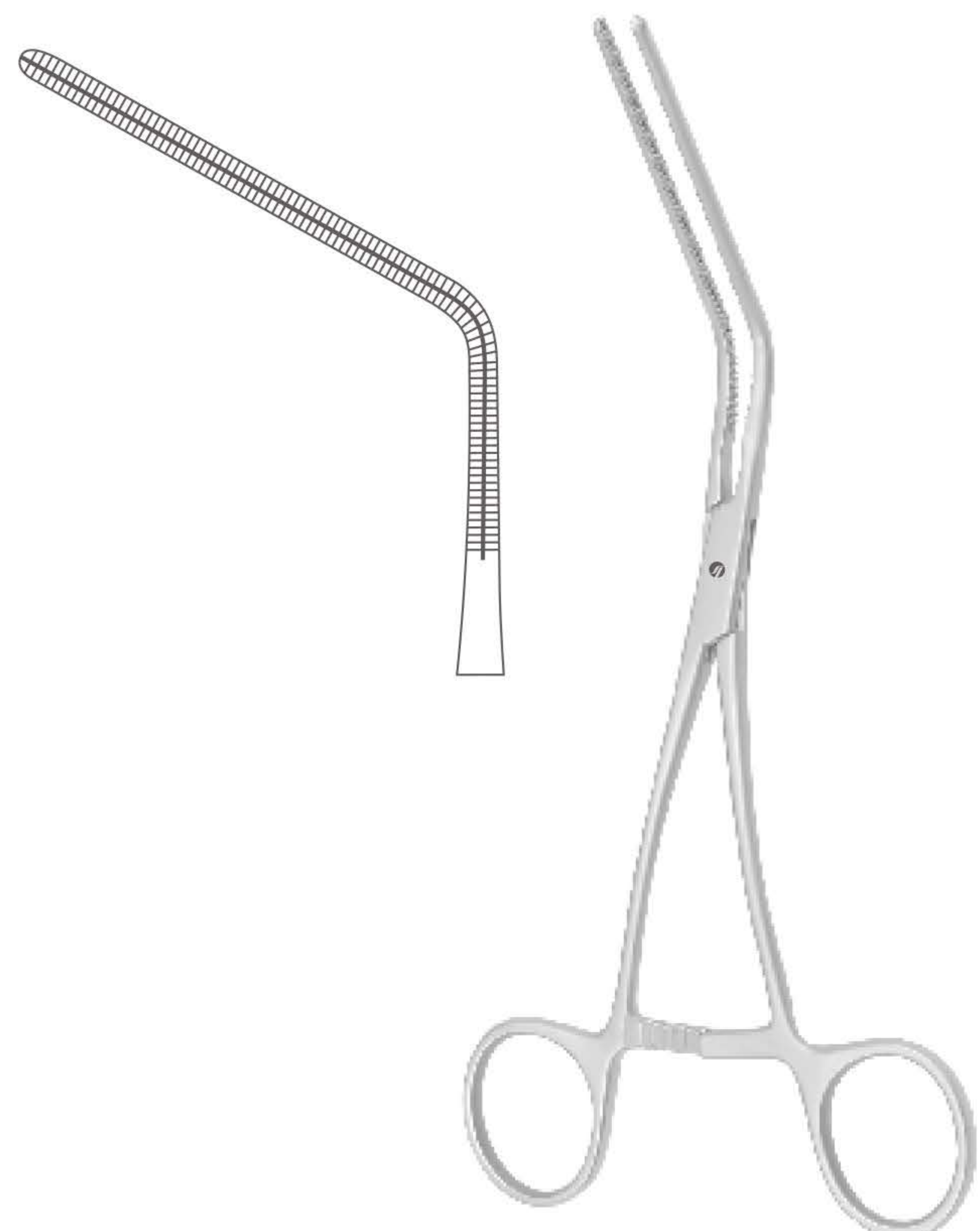


Cardiovascular Clamps
 Kardiovaskuläre Klemmen
 Pinzas cardiovasculares
 Pincas cardiovasculaires
 Pinze cardiovascolari



Cooley Atrauma Pediatric Clamp

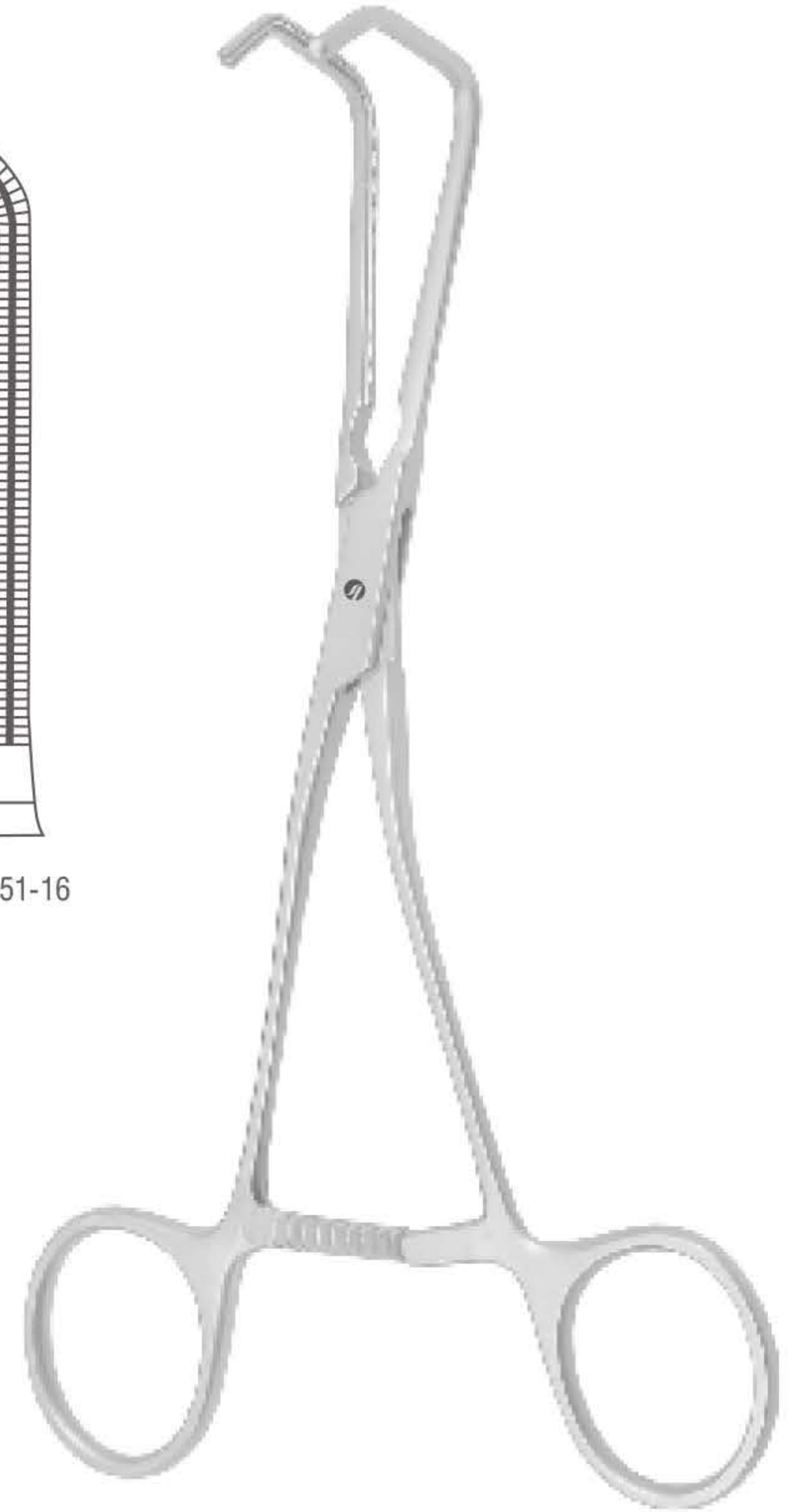
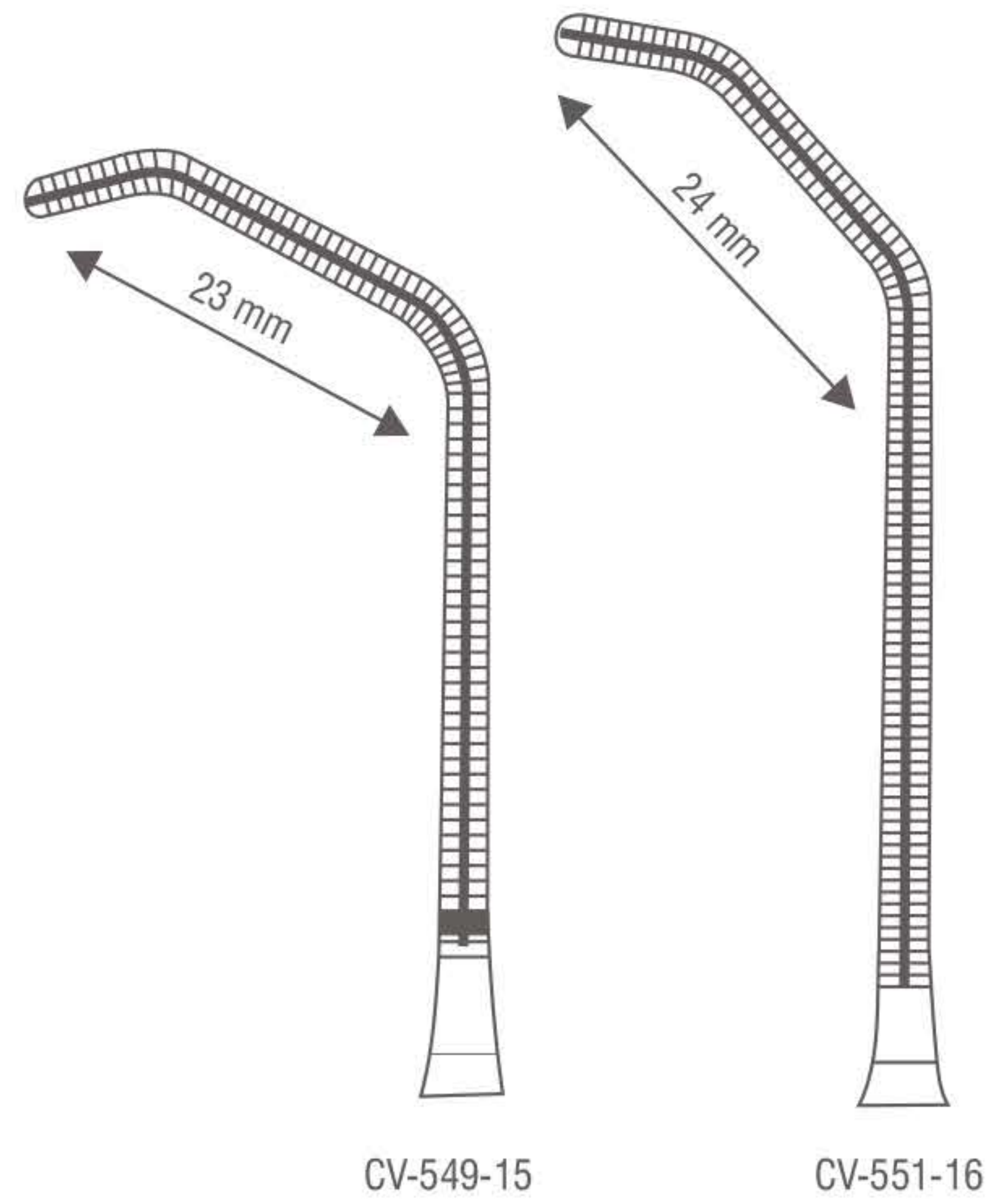
Catalog #	Size, Jaw
CV-545-16	16 cm (6 1/4"), 35 mm



Cooley Atrauma Pediatric Clamp
 Angled 60°

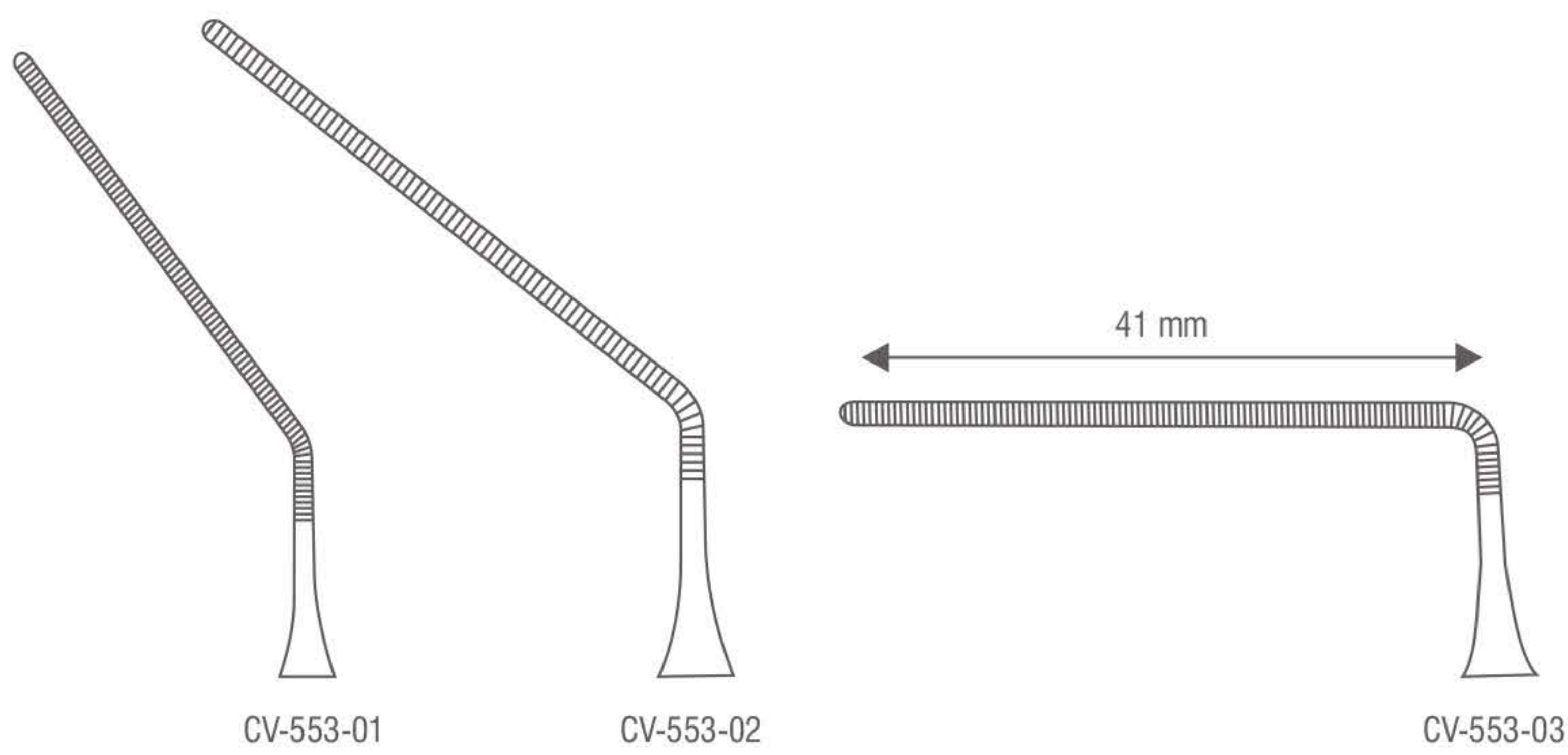
Catalog #	Size, Jaw
CV-547-16	15.5 cm (6"), 40 mm
CV-547-17	17 cm (7 3/4"), 52 mm
CV-547-18	18.5 cm (7 1/4"), 70 mm

Cardiovascular Clamps
 Kardiovaskuläre Klemmen
 Pinzas cardiovasculares
 Pincés cardiovasculaires
 Pinze cardiovascolari



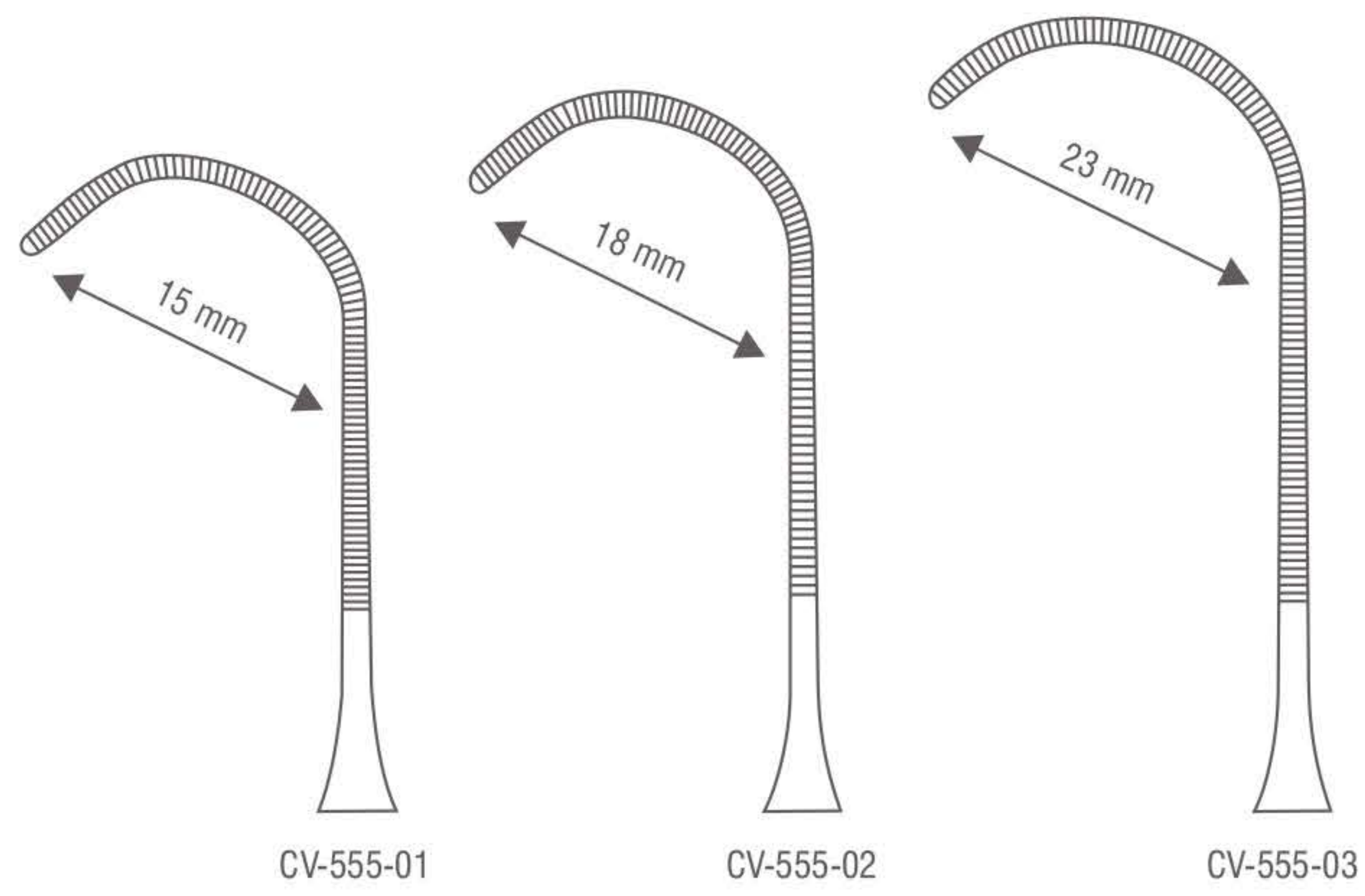
Cooley Atrauma Pediatric Clamp

Catalog #	Size, Jaw
CV-549-15	15.5 cm (6"), 23 mm
CV-551-16	16 cm (6 1/4"), 24 mm



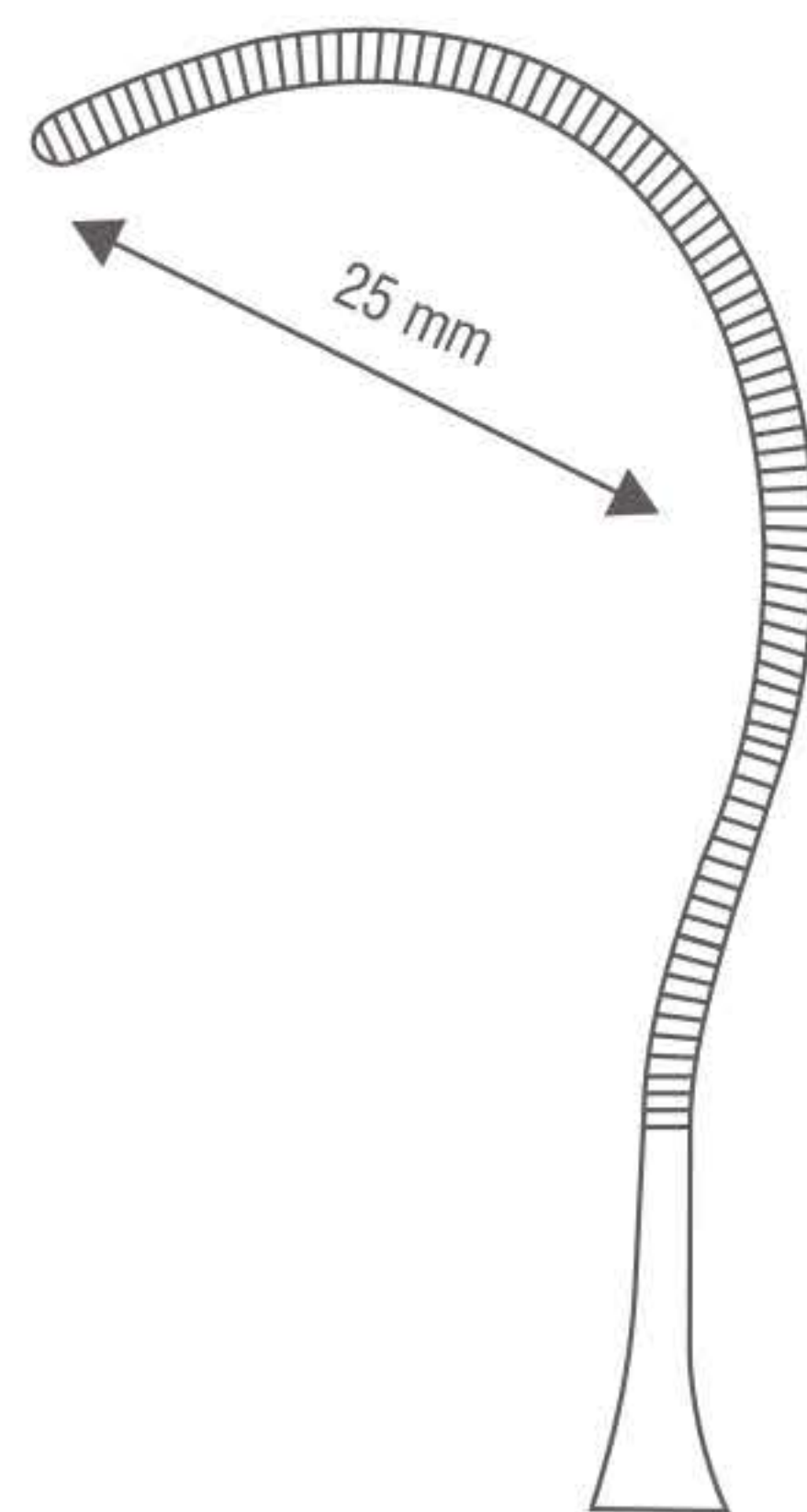
Castaneda Atrauma Neonatal Vascular Clamp

Catalog #	Size, Jaw, Profile
CV-553-01	12.5 cm (5"), 33 mm, Angled 30°
CV-553-02	11.5 cm (4 1/2"), 31 mm, Angled 45°
CV-553-03	11 cm (4 1/4"), 41 mm, Angled 90°



Castaneda Atrauma Neonatal Vascular Clamp

Catalog #	Size, Jaw
CV-555-01	11.5 cm (4 1/2"), 15 mm
CV-555-02	12 cm (4 3/4"), 18 mm
CV-555-03	12 cm (4 3/4"), 23 mm



Castaneda Atrauma Neonatal Vascular Clamp

Catalog #	Size, Jaw
CV-557-04	12 cm (4 3/4"), 25 mm

Vascular Dilators
 Gefäßdilatoren
 Diladores vasculares
 Dilateurs vasculaires
 Dilatori vascolari

Tubbs Aortic Dilator
 With Fixation Screw



Catalog #	Size, Spread
CV-601-00	Standard, 8 - 42 mm

Cooley Vascular Dilator
 Set of 8 Ref: CV-612-05 to CV-612-50



Catalog #	Size
CV-610-00	Standard

Cooley Vascular Dilator
 Malleable



Catalog #	Size, Diameter
CV-612-05	13 cm (5"), Ø 0.5 mm
CV-612-10	13 cm (5"), Ø 1.0 mm
CV-612-15	13 cm (5"), Ø 1.5 mm
CV-612-20	13 cm (5"), Ø 2.0 mm
CV-612-25	13 cm (5"), Ø 2.5 mm
CV-612-30	13 cm (5"), Ø 3.0 mm
CV-612-40	13 cm (5"), Ø 4.0 mm
CV-612-50	13 cm (5"), Ø 5.0 mm

DeBakey Vascular Dilators
 Set of 12 Ref: CV-622-05 to CV-622-90



Catalog #	Size
CV-620-00	Standard

Vascular Dilators
 Gefäßdilatoren
 Dilatadores vasculares
 Dilateurs vasculaires
 Dilattori vascolari

DeBakey Vascular Dilator
 Malleable



Catalog #	Size, Diameter
CV-622-05	19 cm (7 1/2"), Ø 0.5 mm
CV-622-10	19 cm (7 1/2"), Ø 1.0 mm
CV-622-15	19 cm (7 1/2"), Ø 1.5 mm
CV-622-20	19 cm (7 1/2"), Ø 2.0 mm
CV-622-25	19 cm (7 1/2"), Ø 2.5 mm
CV-622-30	19 cm (7 1/2"), Ø 3.0 mm
CV-622-35	19 cm (7 1/2"), Ø 3.5 mm
CV-622-40	19 cm (7 1/2"), Ø 4.0 mm
CV-622-45	19 cm (7 1/2"), Ø 4.5 mm
CV-622-50	19 cm (7 1/2"), Ø 5.0 mm
CV-622-70	19 cm (7 1/2"), Ø 7.0 mm
CV-622-90	19 cm (7 1/2"), Ø 9.0 mm

Garret Vascular Dilators

Set of 9 Ref: CV-632-10 to CV-632-50



Catalog #	Size
CV-630-00	Standard

Garret Vascular Dilator

Malleable



Catalog #	Size, Diameter
CV-632-10	14 cm (5 1/2"), Ø 1.0 mm
CV-632-15	14 cm (5 1/2"), Ø 1.5 mm
CV-632-20	14 cm (5 1/2"), Ø 2.0 mm
CV-632-25	14 cm (5 1/2"), Ø 2.5 mm
CV-632-30	14 cm (5 1/2"), Ø 3.0 mm
CV-632-35	14 cm (5 1/2"), Ø 3.5 mm
CV-632-40	14 cm (5 1/2"), Ø 4.0 mm
CV-632-45	14 cm (5 1/2"), Ø 4.5 mm
CV-632-50	14 cm (5 1/2"), Ø 5.0 mm

Vascular Dilators
 Gefäßdilatoren
 Diladores vasculares
 Dilateurs vasculaires
 Dilatori vascolari

Garret Vascular Dilators

Set of 9 Ref: CV-642-00 to CV-642-50



Catalog #	Size
CV-640-00	Standard

Garret Vascular Dilator

Malleable



Catalog #	Size, Diameter
CV-642-10	22 cm (8 3/4"), Ø 1.0 mm
CV-642-15	22 cm (8 3/4"), Ø 1.5 mm
CV-642-20	22 cm (8 3/4"), Ø 2.0 mm
CV-642-25	22 cm (8 3/4"), Ø 2.5 mm
CV-642-30	22 cm (8 3/4"), Ø 3.0 mm
CV-642-35	22 cm (8 3/4"), Ø 3.5 mm
CV-642-40	22 cm (8 3/4"), Ø 4.0 mm
CV-642-45	22 cm (8 3/4"), Ø 4.5 mm
CV-642-50	22 cm (8 3/4"), Ø 5.0 mm

Martin Vascular Tunneling Set

Set Contents

- 1 - Handle for Tunneling Set
- 2 - Tunneling Shafts x 3
- 3 - Tunneling Tip x 4 (6 mm, 8 mm, 10 mm, 12 mm)
- 4 - Vein Tip x 1
- 5 - Luer Adapter
- 6 - Storage Case Stainless



Catalog #	Size
CV-700-00	Standard

Universal Handle for Martin Tunneling Set

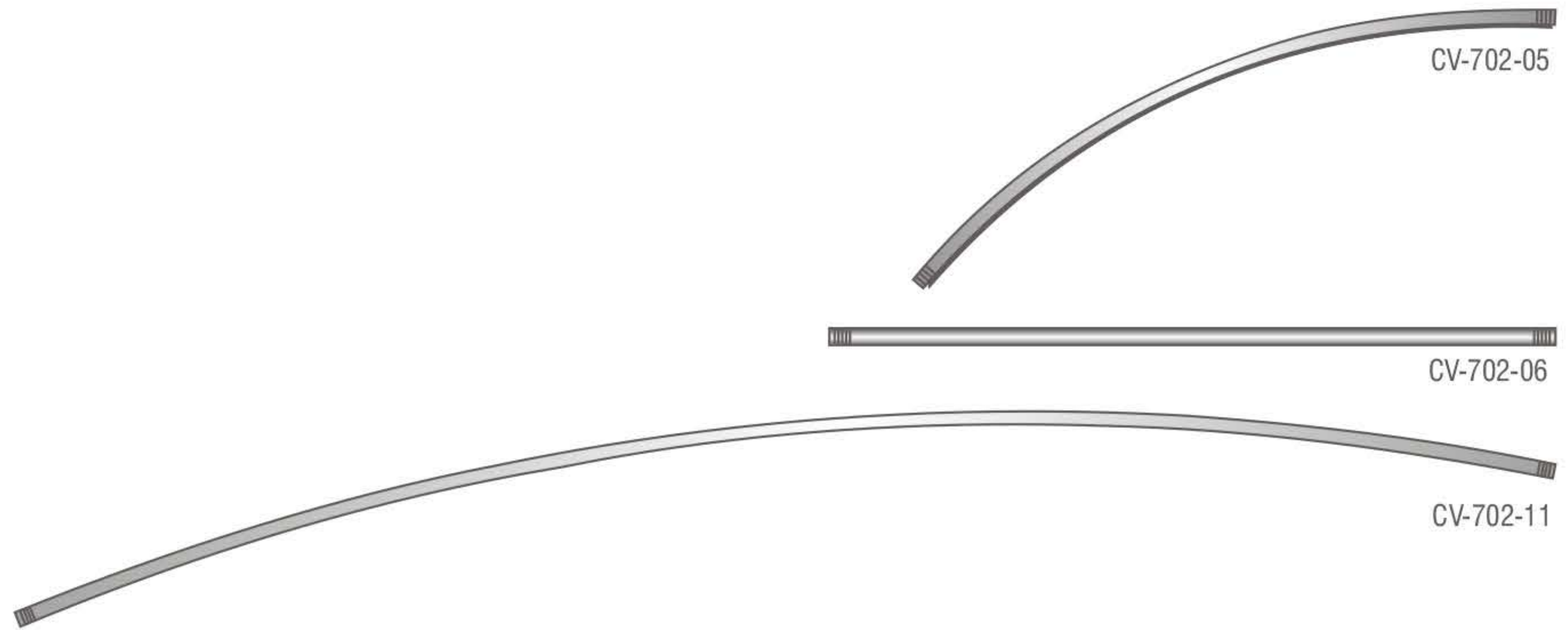


Catalog #	Size
CV-702-01	12.5 cm (5")

Fasciotomy Knife, Fasciotomy Spatulas
 Fasziotomiemesser, Fasziotomiespatel
 Cuchillo para fasciotomía, Espátulas para fasciotomía
 Couteau pour fasciotomie, Spatule pour fasciotomie
 Bisturi per fasziotomia, Spatole per fasziotomia

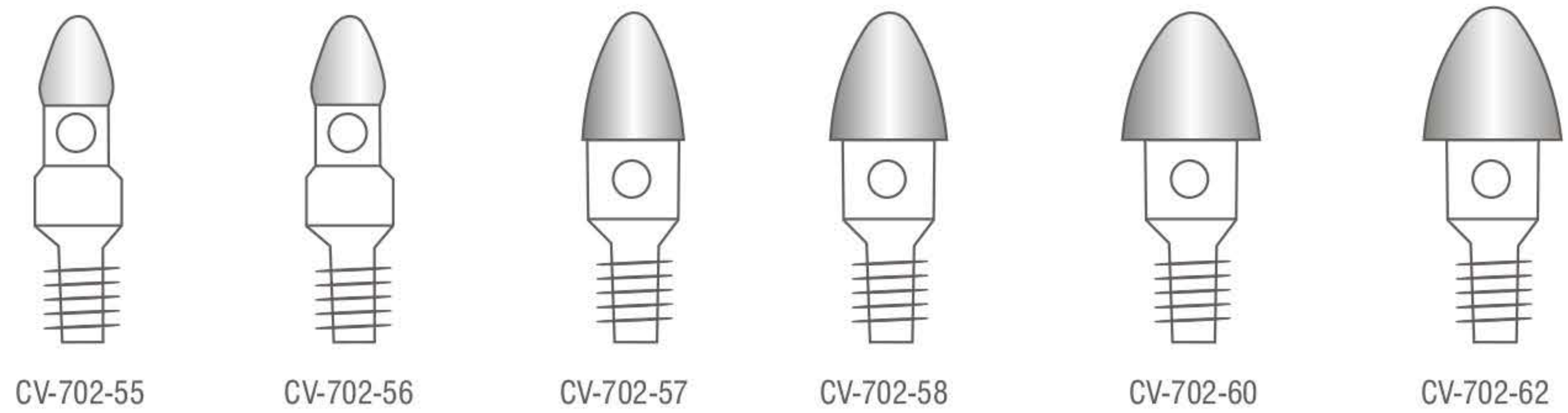
Tunneling Shaft

Catalog #	Size
CV-702-05	24.5 cm (9 3/4")
CV-702-06	24.5 cm (9 3/4")
CV-702-11	55.5 cm (21 3/4")



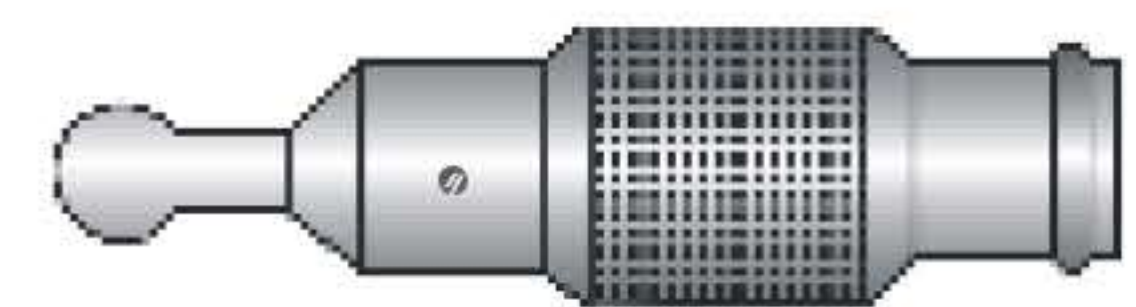
Screw Olive Tip

Catalog #	Size, Diameter
CV-702-55	Standard, Ø 5.0 mm
CV-702-56	Standard, Ø 6.0 mm
CV-702-57	Standard, Ø 7.0 mm
CV-702-58	Standard, Ø 8.0 mm
CV-702-60	Standard, Ø 10.0 mm
CV-702-62	Standard, Ø 12.0 mm



Vein Tip

Catalog #	Size
CV-702-65	Standard



Luer Adapter

Catalog #	Size
CV-702-70	Standard



Fasciotomy Knife, Fasciotomy Spatulas, Intima Spatulas
 Fasziotomiemesser, Fasziotomiespatel, Intimaspatel
 Cuchillo para fasciotomía, Espátulas para fasciotomía, Espátulas para la íntima
 Couteau pour fasciotomie, Spatule pour fasciotomie, Spatules pour la tunique interne
 Bisturi per fasziotomia, Spatole per fasziotomia, Spatole per intima

Wrench



Catalog #	Size
CV-702-99	10 cm (4")

Hach Fasciotomy Knife
 Ferrozell Handle



Catalog #	Size
CV-751-01	30 cm (11 3/4")

Hach Fasciotomy Spatula



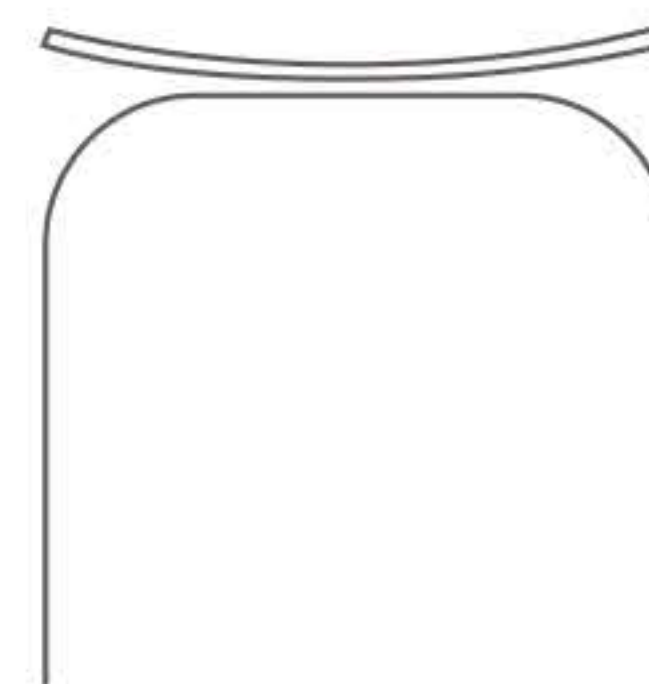
Catalog #	Size, Blade Size
CV-756-25	30 cm (11 3/4"), 25 mm
CV-756-32	30 cm (11 3/4"), 32 mm
CV-756-40	30 cm (11 3/4"), 40 mm
CV-756-52	30 cm (11 3/4"), 52 mm



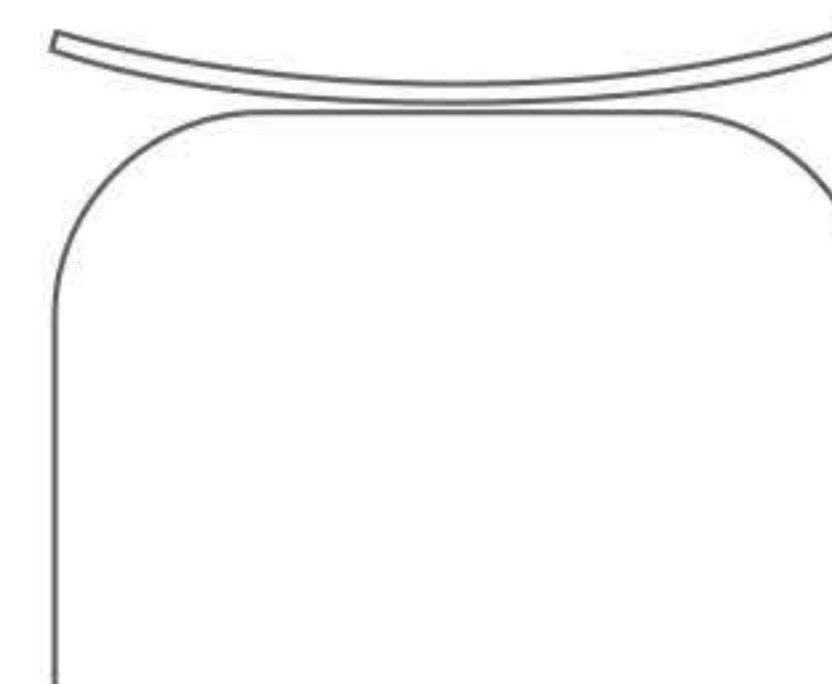
CV-756-25



CV-756-23

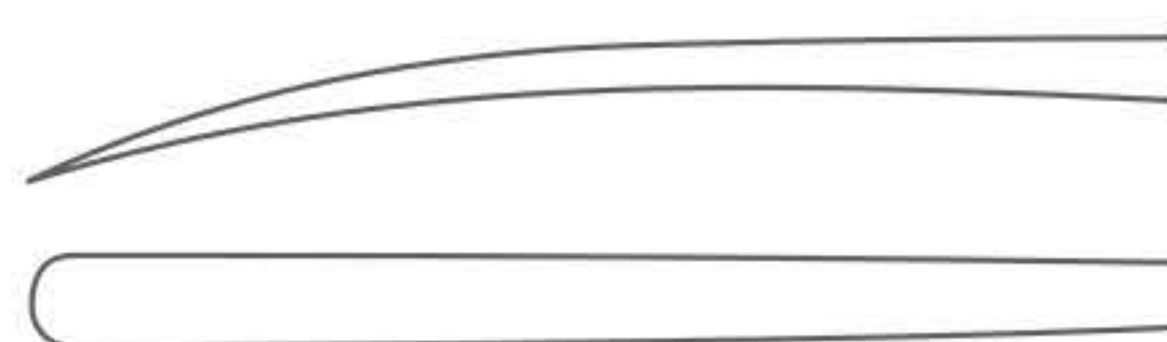


CV-756-40



CV-756-52

Intima Spatula
 Blunt



Catalog #	Size
CV-771-18	18.5 cm (7 1/4")
CV-771-21	21.5 cm (8 1/2")

Intima Spatula
 Blunt



CV-773-14



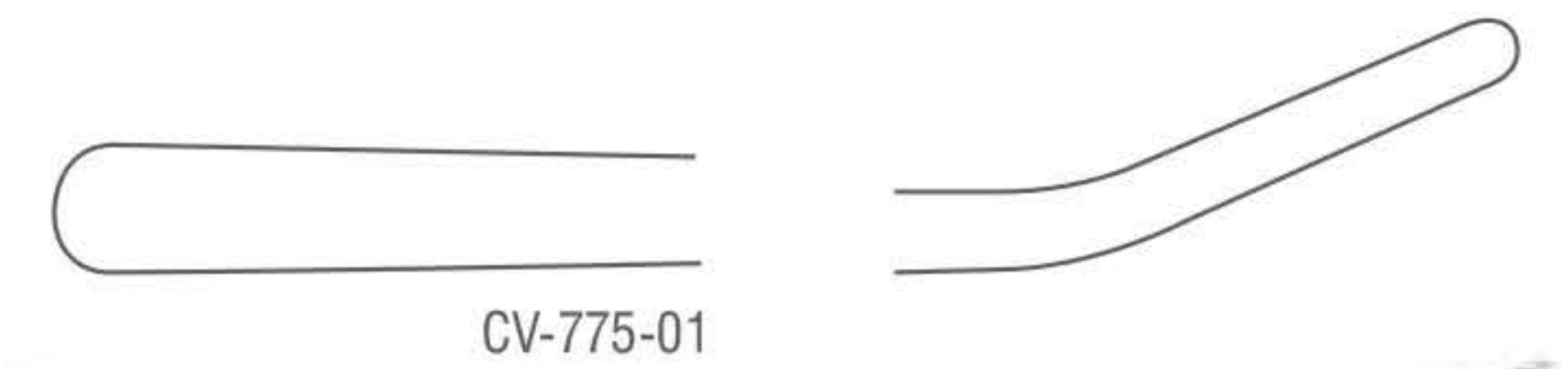
Catalog #	Size
CV-773-14	14 cm (5 1/2")
CV-773-24	23.5 cm (9 1/4")



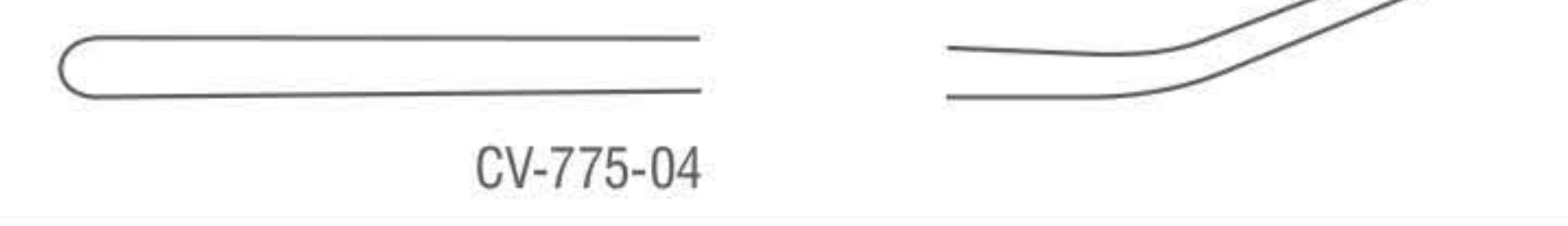
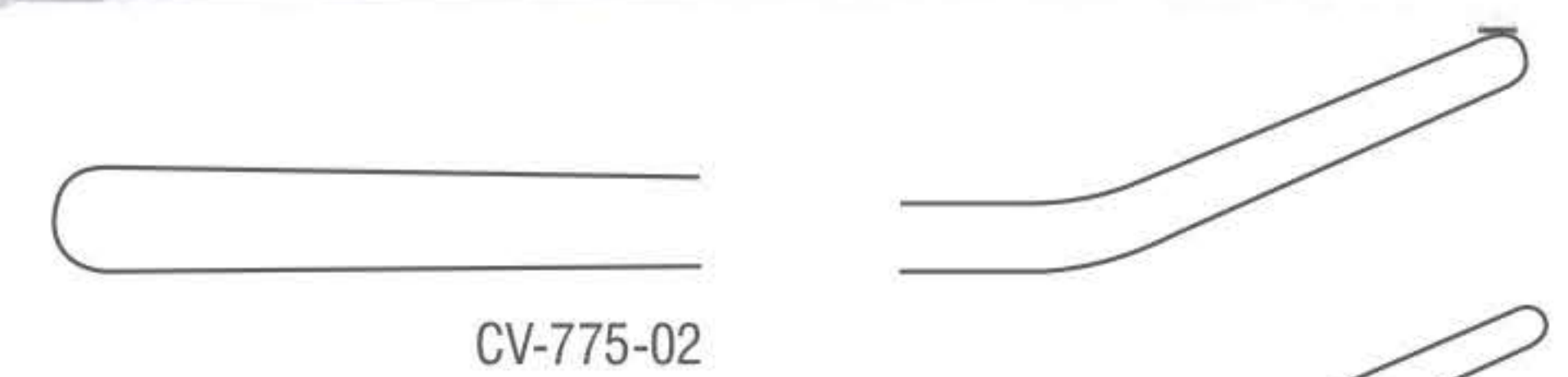
CV-773-24

Vascular Dissectors, Tourniquets
 Gefäßdissektoren, Tourniquets
 Disecadores vasculares, Tourniquetes
 Dissecteurs vasculaires, Tourniquets
 Dissettori vascolari, Tornichetti

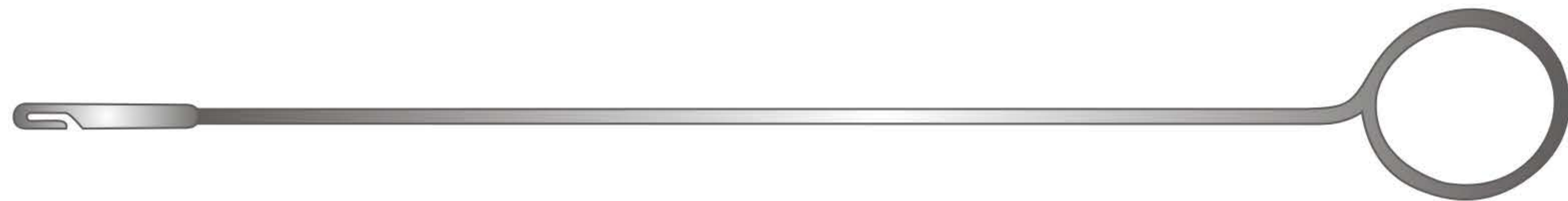
Robb Vascular Dissector



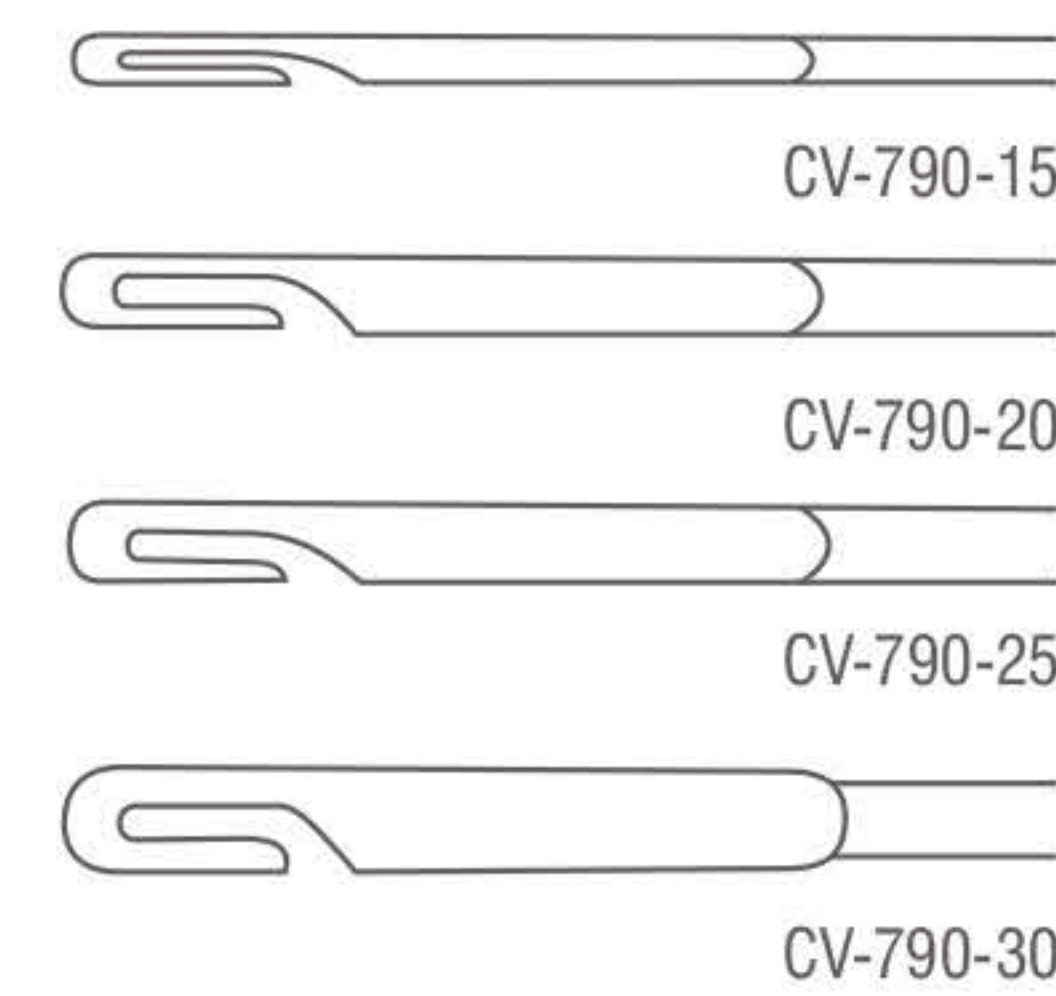
Catalog #	Size, Blade Size 1, Blade 2 Diameter , Profile
CV-775-01	24 cm (9 1/2"), 5 mm, Ø 2.5 mm, Fig. 1
CV-775-02	24 cm (9 1/2"), 4 mm, Ø 2.0 mm, Fig. 2
CV-775-03	24 cm (9 1/2"), 3 mm, Ø 1.5 mm , Fig. 3
CV-775-04	24 cm (9 1/2"), 2 mm, Ø 1.0 mm , Fig. 4



Ligature Catcher



Catalog #	Size, Hook Size
CV-790-15	26 cm (10 1/4"), 1.5 mm
CV-790-20	26 cm (10 1/4"), 2.0 mm
CV-790-25	26 cm (10 1/4"), 2.5 mm
CV-790-30	26 cm (10 1/4"), 3.0 mm



Rumel-Belmont Tourniquet



Catalog #	Size, Diameter
CV-794-27	27 cm (10 3/4"), Ø 3.2 mm

Rumel-Belmont Tourniquet



Catalog #	Size, Diameter
CV-796-30	30.5 cm (12"), Ø 6.4 mm

Self-Retaining Brain Retractor
 Selbsthaltender Hirnretraktor
 Separador cerebral autostatico
 Retracteur cérébrale autostatique
 Retratore celebrale autostatico

Yasargil (Leyla) Brain Retractor Single Arm Complete

Catalog #	Size
NS-010-01	N/A



Yasargil (Leyla) Brain Double Retractor Arm Complete

Catalog #	Size
NS-010-02	N/A



Yasargil (Leyla) Flexible Arm

Catalog #	Size
NS-010-10	N/A



Yasargil (Leyla) Flexible Base

Catalog #	Size
NS-010-21	N/A
NS-010-22	N/A
NS-010-30	N/A



NS-010-21



NS-010-22



NS-010-30

Yasargil (Leyla) Support for Round Spatulas

Catalog #	Size
NS-010-40	N/A



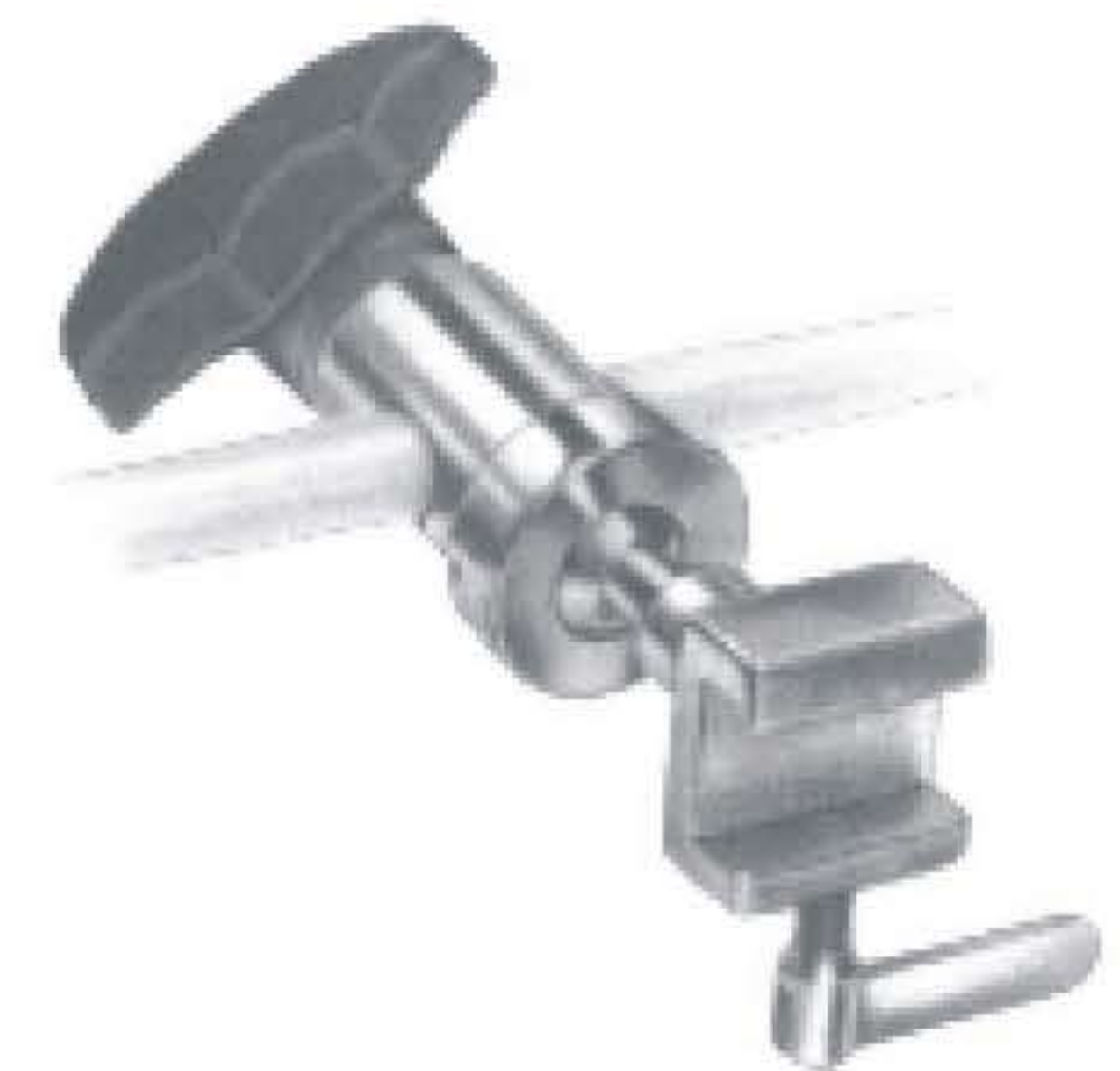
Self-Retaining Brain Retractor
 Selbsthaltender Hirnretraktor
 Separador cerebral autostatico
 Retracteur cérébrale autostatique
 Retratore celebrale autostatico

Yasargil (Leyla) Support for Flat Spatulas



Catalog #	Size
NS-010-45	N/A

Yasargil (Leyla) Ball and Socket Joint



Catalog #	Size
NS-012-09	9 x 32 mm
NS-012-10	10 x 25 mm

Yasargil (Leyla) Holding Rod



Catalog #	Size
NS-012-20	N/A

Yasargil (Leyla) Coupling Head



Catalog #	Size
NS-012-25	N/A
NS-012-40	N/A

**Caspar Vertebral Distractor
 Right**



Catalog #	Size
NS-020-01	N/A

Vertebral Distractor
 Wirbel distractor
 Vertebrales distractor
 Vertébrale distracteur
 Vertebrale distrattore

Caspar Drill Guide
 Right

Catalog #	Size
NS-020-02	N/A



Caspar Vertebral Distractor
 Left

Catalog #	Size
NS-022-01	N/A



Caspar Drill Guide
 Left

Catalog #	Size
NS-022-02	N/A



Caspar Twist Drill

Catalog #	Size
NS-024-00	14.5 cm (5 1/2")



Caspar Distraction Screw

Catalog #	Working End
NS-026-14	14 mm
NS-026-16	16 mm
NS-026-18	18 mm



Wire Saws, Skull Traction Tongs
 Drahtsägen, Schädelhalter
 Sierras de hilo, Estribos de tracción craneal
 Fils-scies, Pinces de traction crânienne
 Fili sega, Pinze per trazione craniale

Casper Screw Driver



Catalog #	Size
NS-028-20	20 cm (8")

Gigli Wire Saw



Catalog #	Size
NS-050-30	30 cm (11 3/4")
NS-050-40	40 cm (11 3/4")
NS-050-50	50 cm (11 3/4")
NS-050-60	60 cm (11 3/4")
NS-050-70	70 cm (11 3/4")

Gigli Wire Saw Handle



Catalog #	Size
NS-055-00	N/A

De Martel Wire Saw Guide



Catalog #	Size
NS-058-00	33 cm (13")

Crutchfield Skull Traction Tongs
 Small Pattern



Catalog #	Size
NS-061-01	N/A

Skull Traction Tongs
 Schädelhalter
 Estribos de tracción craneal
 Pincès de traction crânienne
 Pinze per trazione craniale

Crutchfield Skull Traction Tongs
 Medium Pattern

Catalog #	Size
NS-061-02	N/A



Crutchfield Drill Point

Catalog #	Size, Diameter
NS-065-35	7 cm (2 3/4"), Ø 3.5 mm
NS-065-50	7 cm (2 3/4"), Ø 5.0 mm



Skull Traction Tongs
 Large Pattern

Catalog #	Size
NS-071-00	N/A



Spare Pin

Catalog #	Size
NS-075-01	N/A



Wrench

Catalog #	Size
NS-075-02	N/A



Skull Traction Tongs
Schädelhalter
Estribos de tracción craneal
Pincès de traction crânienne
Pinze per trazione craniale

Adson Drill Guide & Dura Protector

Catalog #	Size
NS-081-15	15 cm, (6")

Bacon Cranial Rongeur

Catalog #	Size
NS-083-21	21 cm, (8 ¼")

Adson Cranial Rongeur Straight

Catalog #	Size
NS-086-20	20 cm, (8")

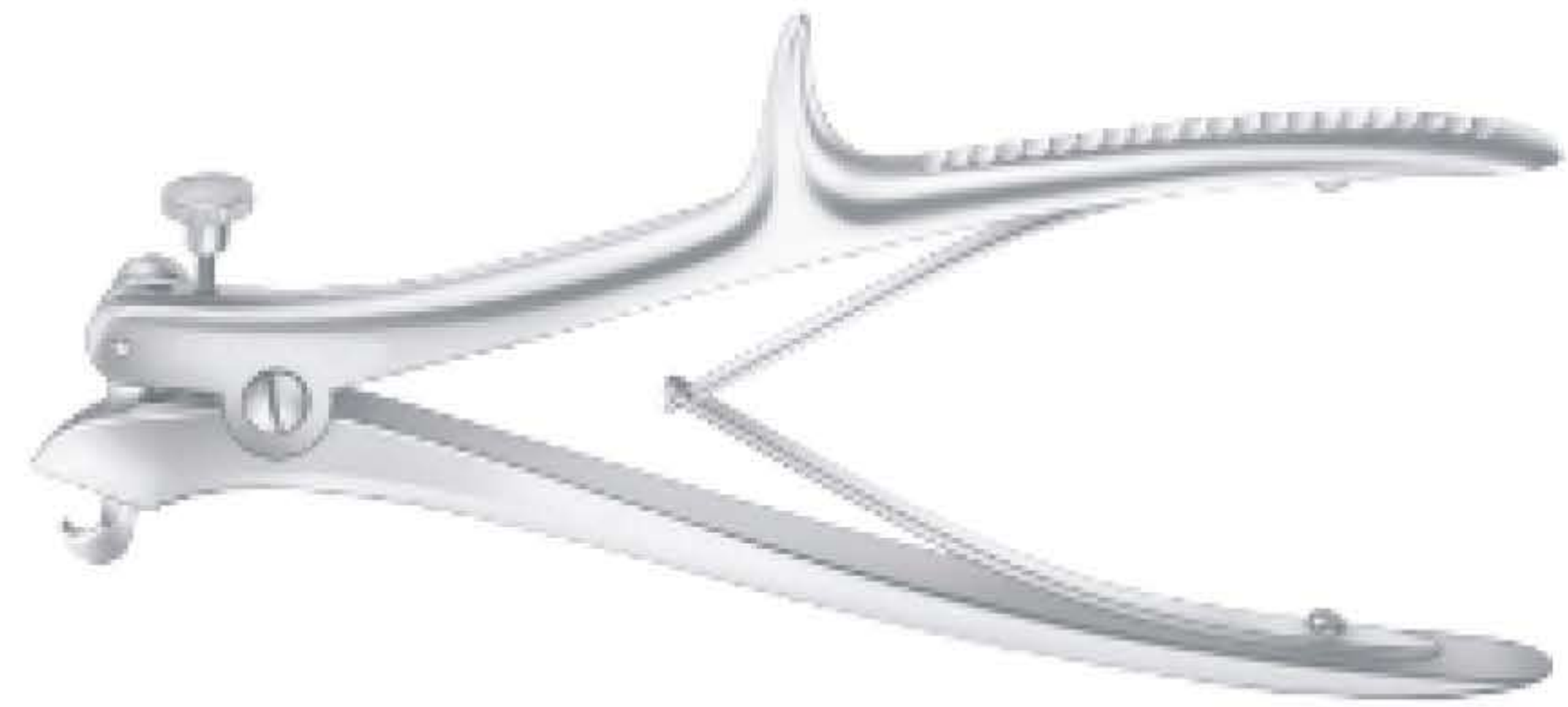
Adson Cranial Rongeur Curved

Catalog #	Size
NS-087-20	20 cm, (8")

Cranial Rongeurs
 Schädelzangen
 Pinzas sacabocados craneales
 Pincas emporte-pièces crâniennes
 Pinze per craniectomia

Dahlgren Cranial Rongeur

Catalog #	Size
NS-091-20	20 cm (8")



De Vilbiss Cranial Rongeur

Catalog #	Size
NS-093-21	20.5 cm (8")



Cone Cranial Punch

Catalog #	Size
NS-095-22	22.5 cm (8 3/4")



Raney Scalp Clip

Catalog #	Size
NS-100-00	N/A



Raney Applying - Removal Forcep

Catalog #	Size
NS-102-00	15.5 cm (6")



Clips and Applying Forceps
 Clips und Anlegezangen
 Grapas y pinzas aplicadoras
 Clips et pinces pour appliquer
 Agrafes e pinze per applicare

McKenzie Clip Applying Forcep



Catalog #	Size
NS-112-19	18.5 cm (7 1/4")

Olivecrona-Toennis Clip Applying Forcep



Catalog #	Size, Shaft Length
NS-115-14	N/A, 140 mm

Silver Brain Clip
 Pack of 100



Catalog #	Size
NS-118-00	N/A

Yasargil Galea Hook



Catalog #	Size
NS-120-01	N/A
NS-120-02	N/A

Davis Dura Dissector



Catalog #	Size
NS-151-21	21.5 cm (8 1/2")

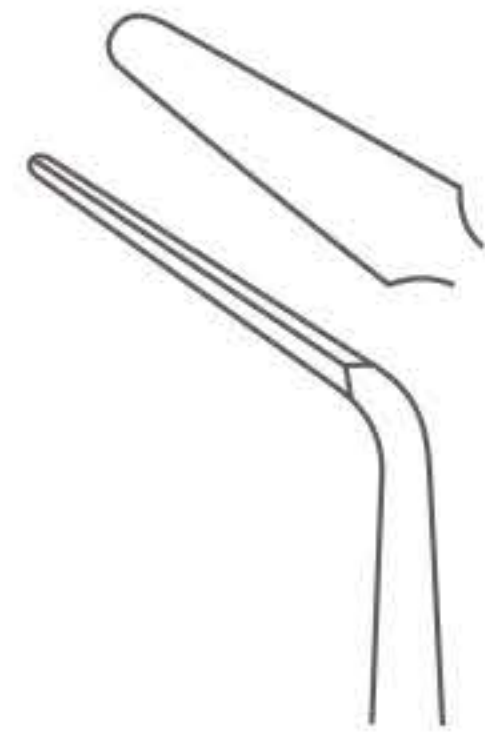
Dura Dissectors
 Duradisektoren
 Disecadores para duramadre
 Dissecteurs à dure-mère
 Dissettori per la dura-madre

Davis Dura Dissector



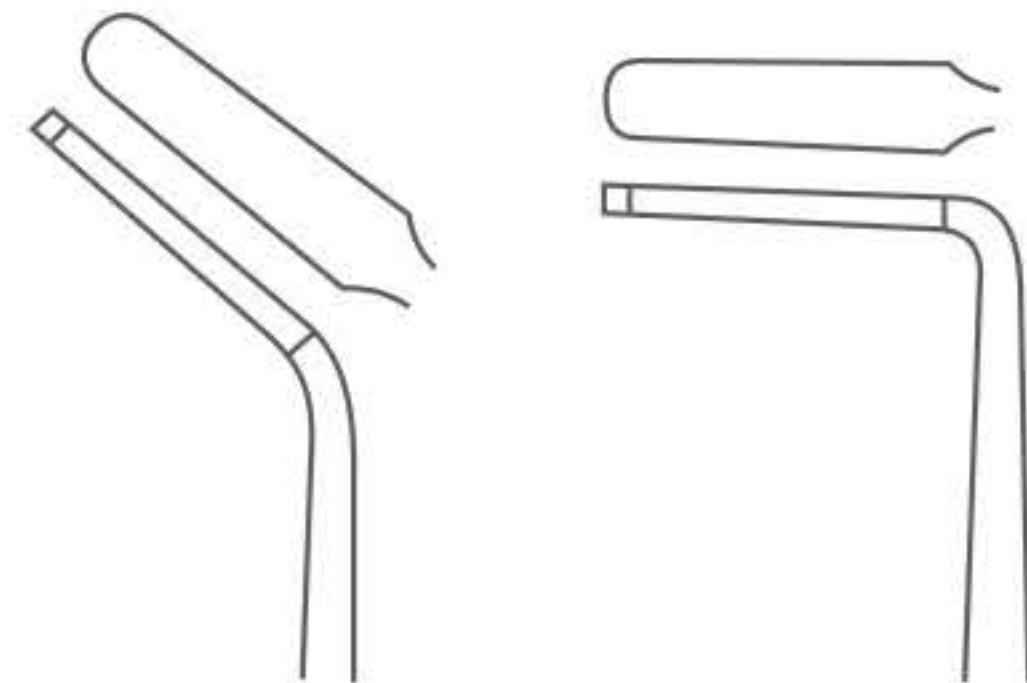
Catalog #	Size
NS-153-24	24.5 cm (9 3/4")

Frazier Dura Dissector



Catalog #	Size
NS-155-01	15 cm (6")

Hoehn Dura Dissector



NS-155-02

NS-155-03

Catalog #	Size
NS-155-02	15 cm (6")
NS-155-03	15 cm (6")

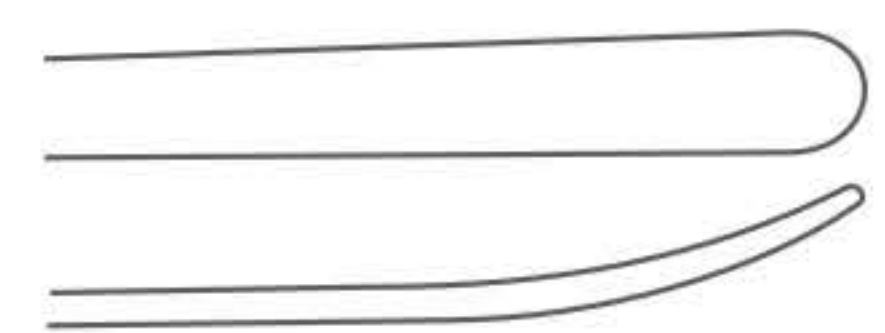
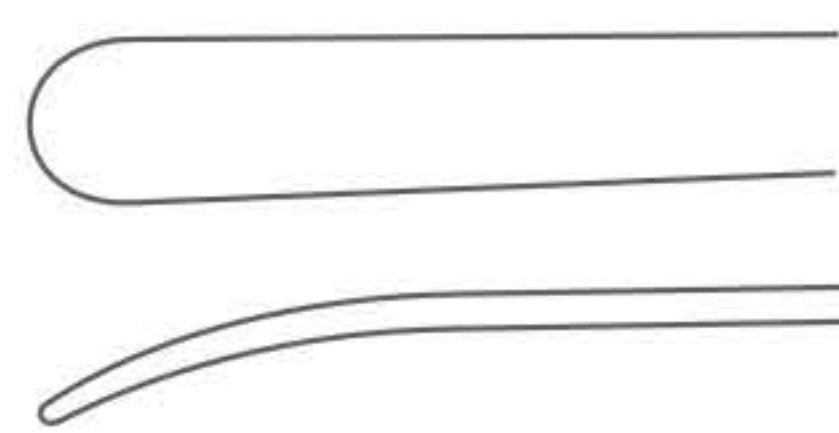


Love-Adson Dura Dissector



Catalog #	Size
NS-157-16	16 cm (6 1/2")

Toennis Dura Dissector



Catalog #	Size
NS-159-26	26 cm (10 1/4")



Dura Dissectors
 Duradissectoren
 Disecadores para duramadre
 Dissecteurs à dure-mère
 Dissettori per la dura-madre

Olivecrona Dura Dissector



Catalog #	Size
NS-161-01	24 cm (9 1/2")

Olivecrona Dura Dissector



Catalog #	Size
NS-161-02	18 cm (7")

Olivecrona Dura Dissector



Catalog #	Size
NS-161-03	24 cm (9 1/2")

Olivecrona Dura Dissector



Catalog #	Size
NS-161-04	20 cm (8")

**Sachs Dura Dissector
 Sharp**



Catalog #	Size
NS-163-21	20 cm (8")

Dura Dissectors
 Duradisektoren
 Disecadores para duramadre
 Dissecteurs à dure-mère
 Dissettori per la dura-madre

Milligan Dura Dissector



Catalog #	Size
NS-165-21	21.5 cm (8 1/2")

Dura Dissector



Catalog #	Size
NS-167-22	22 cm (8 3/4")

Penfield Dura Dissector



Catalog #	Size, Profile
NS-171-01	17.5 cm (7"), Fig. 1

Penfield Dura Dissector



Catalog #	Size, Profile
NS-171-02	19.5 cm (7 3/4"), Fig. 2

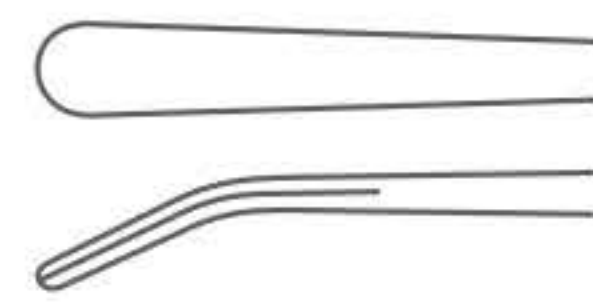
Penfield Dura Dissector



Catalog #	Size, Profile
NS-171-03	19.5 cm (7 3/4"), Fig. 3

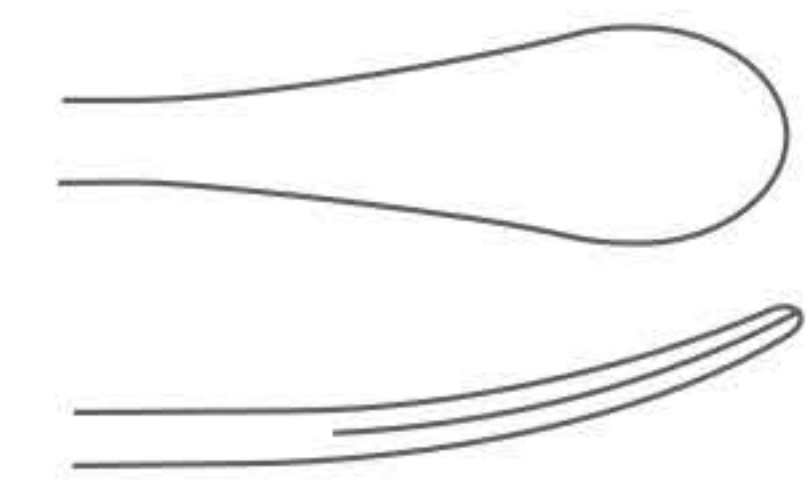
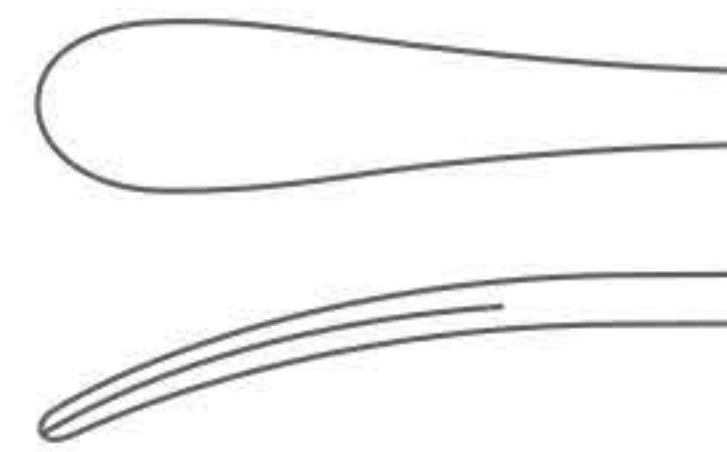
Dura Dissectors
 Duradissectoren
 Disecadores para duramadre
 Dissecteurs à dure-mère
 Dissettori per la dura-madre

Penfield Dura Dissector



Catalog #	Size, Profile
NS-171-04	20.5 cm (8"), Fig. 4

Penfield Dura Dissector



Catalog #	Size, Profile
NS-171-05	18 cm (7"), Fig. 5

Horsley Dura Elevator



Catalog #	Size
NS-181-20	20 cm (8")

Sachs Dura Elevator



Catalog #	Size
NS-183-21	21 cm (8 1/4")

Love Nerve Root Retractor
 Straight



Catalog #	Size
NS-190-21	21.5 cm (8 1/2")

Nerve Root Retractors
 Nervwurzelhaken
 Separadores para la raíz de nervio
 Retracteurs pour racines nerveuses
 Uncini per le radici die nervi

Love Nerve Root Retractor
 Angled 45°

Catalog #	Size
NS-191-18	17.5 cm (7")



Love Nerve Root Retractor
 Angled 90°

Catalog #	Size
NS-193-11	11 cm (4 1/4")



Love Nerve Root Retractor

Catalog #	Size
NS-195-21	22 cm (8 3/4")



Hess Nerve Root Retractor

Catalog #	Size, Width
NS-197-03	17.5 cm (7"), 3 mm
NS-197-05	17.5 cm (7"), 5 mm
NS-197-07	17.5 cm (7"), 7 mm



Scoville Nerve Root Retractor

Catalog #	Size
NS-200-23	23.5 cm (9 1/4")



Nerve Root Retractors
 Nervwurzelnaken
 Separadores para la raíz de nervio
 Retracteurs pour racines nerveuses
 Uncini per le radici die nervi

Holsher Nerve Root Retractor



Catalog #	Size
NS-201-24	23.5 cm (9 1/4")

Scoville Nerve Root Retractor



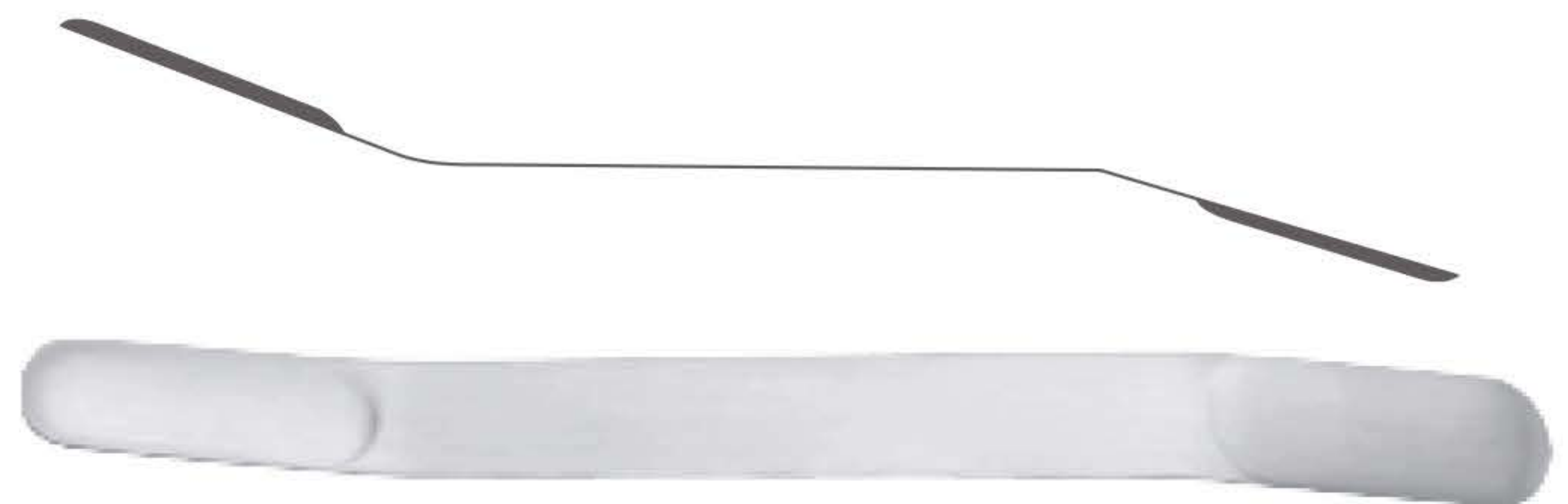
Catalog #	Size
NS-203-19	16.5 cm (6 1/2")

Cushing Brain Spatulas



Catalog #	Size, Blade Size
NS-210-07	18 cm (7"), 7 + 9 mm
NS-210-11	18 cm (7"), 11 + 13 mm
NS-210-15	18 cm (7"), 15 + 18 mm
NS-210-18	18 cm (7"), 18 + 22 mm

Olivecrona Brain Spatulas
 Concave

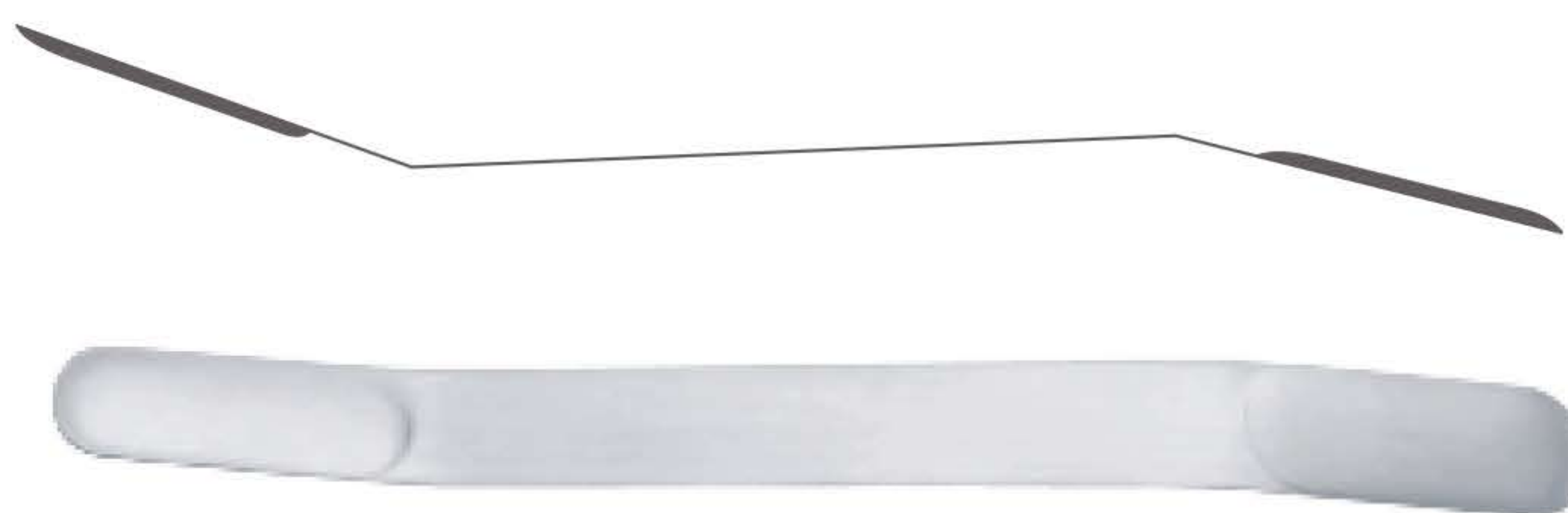


Catalog #	Size, Blade Size
NS-213-07	18 cm (7"), 7 + 9 mm
NS-213-11	18 cm (7"), 11 + 13 mm
NS-213-15	18 cm (7"), 15 + 18 mm
NS-213-18	18 cm (7"), 18 + 22 mm

Brain Spatulas
 Hirnspatel
 Espátulas cerebrales
 Spatules cérébrales
 Spatole cerebrali

Olivecrona Brain Spatulas
 Convex

Catalog #	Size, Blade Size
NS-215-07	18 cm (7"), 7 + 9 mm
NS-215-11	18 cm (7"), 11 + 13 mm
NS-215-15	18 cm (7"), 15 + 18 mm
NS-215-18	18 cm (7"), 18 + 22 mm



Heifetz Brain Spatulas

Catalog #	Size, Blade Size
NS-218-07	20 cm (8"), 7 + 8 mm
NS-218-10	20 cm (8"), 10 + 11 mm
NS-218-13	20 cm (8"), 13 + 14 mm
NS-218-15	20 cm (8"), 15 + 17 mm
NS-218-19	20 cm (8"), 19 + 20 mm
NS-218-22	20 cm (8"), 22 + 22 mm



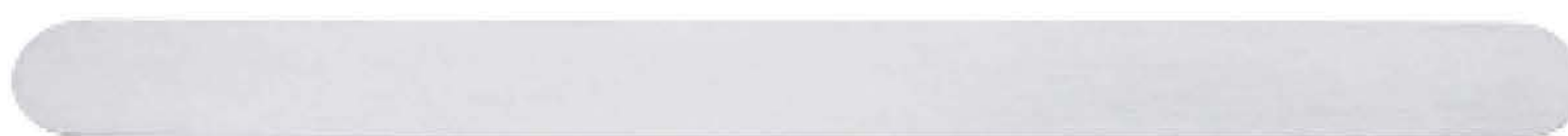
Heifetz Brain Spatulas
 Round Handle

Catalog #	Size, Blade Size
NS-221-08	20 cm (8"), 8 mm
NS-221-11	20 cm (8"), 11 mm
NS-221-14	20 cm (8"), 14 mm
NS-221-17	20 cm (8"), 17 mm
NS-221-20	20 cm (8"), 20 mm



Brain Spatulas
 Malleable

Catalog #	Size
NS-224-12	20 cm (8"), 12 mm
NS-224-17	20 cm (8"), 17 mm



Nerve Hooks
 Nervhaken
 Ganchos para nervios
 Crochets à nerfs
 Uncini per nervi

Smithwick Nerve Hook



Catalog #	Size
NS-231-17	17 cm (6 3/4")

Smithwick Nerve Hook



Catalog #	Size
NS-233-21	21 cm (8 1/4")

Adson Dura Hook



Catalog #	Size, Profile
NS-234-20	20 cm (8"), Sharp
NS-235-20	20 cm (8"), Curved

Graham Dura Hook
 Blunt



Catalog #	Size
NS-237-16	16.5 cm (6 1/2")

Sachs Dura Hook
 Sharp



Catalog #	Size
NS-239-18	18 cm (7")

Nerve Hooks
 Nervhaken
 Ganchos para nervios
 Crochets à nerfs
 Uncini per nervi

Frazier Dura Hook
 Sharp



Catalog #	Size
NS-241-18	18 cm (7")

Hoehn Nerve Retractor



Catalog #	Size
NS-245-22	22 cm (8 3/4")

Dandy Nerve Retractor



Catalog #	Size
NS-251-01	20 cm (8")
NS-251-02	20 cm (8")
NS-251-03	20 cm (8")

Smithwick Nerve Retractor



Catalog #	Size
NS-253-29	29 cm (11 1/2")

Toennis Nerve Retractor



Catalog #	Size
NS-261-15	15 cm (6")

Dura Knives, Laminectomy Punches
 Duramesser, Laminektomiestanzen
 Bisturís para duramadre, Pinzas cortantes para laminectomía
 Bistouries pour duremère, Pincas emporte-pièces à laminectomie
 Bisturi per duramadre, Pinze taglianti per laminectomia

Toennis Brain Knife



Catalog #	Size
NS-280-18	18 cm (7")

Halle Brain Knife



Catalog #	Size
NS-282-20	20 cm (8")

**Ferris-Smith Kerrison Rongeur
Up Cutting**



Catalog #	Size, Bite Size
NS-300-01	15 cm (6"), 1 mm
NS-300-02	15 cm (6"), 2 mm
NS-300-03	15 cm (6"), 3 mm
NS-300-04	15 cm (6"), 4 mm
NS-300-05	15 cm (6"), 5 mm

**Ferris-Smith Kerrison Rongeur
Down Cutting**



Catalog #	Size, Bite Size
NS-301-01	15 cm (6"), 1 mm
NS-301-02	15 cm (6"), 2 mm
NS-301-03	15 cm (6"), 3 mm
NS-301-04	15 cm (6"), 4 mm
NS-301-05	15 cm (6"), 5 mm

Laminectomy Punches
 Laminektomiestanzen
 Pinzas cortantes para laminectomía
 Pinces emporte-pièces à laminectomie
 Pinze taglianti per laminectomia

Ferris-Smith Kerrison Rongeur
 40° Forward Up Cutting



Catalog #	Size, Bite Size
NS-302-01	15 cm (6"), 1 mm
NS-302-02	15 cm (6"), 2 mm
NS-302-03	15 cm (6"), 3 mm
NS-302-04	15 cm (6"), 4 mm
NS-302-05	15 cm (6"), 5 mm



Ferris-Smith Kerrison Rongeur
 40° Forward Down Cutting



Catalog #	Size, Bite Size
NS-303-01	15 cm (6"), 1 mm
NS-303-02	15 cm (6"), 2 mm
NS-303-03	15 cm (6"), 3 mm
NS-303-04	15 cm (6"), 4 mm
NS-303-05	15 cm (6"), 5 mm



Ferris-Smith Kerrison Rongeur
 Up Cutting



Catalog #	Size, Bite Size
NS-304-01	18 cm (7"), 1 mm
NS-304-02	18 cm (7"), 2 mm
NS-304-03	18 cm (7"), 3 mm
NS-304-04	18 cm (7"), 4 mm
NS-304-05	18 cm (7"), 5 mm



Laminectomy Punches
 Laminektomiestanzen
 Pinzas cortantes para laminectomía
 Pincas emporte-pièces à laminectomie
 Pinze taglianti per laminectomia

Ferris-Smith Kerrison Rongeur
 Down Cutting



Catalog #	Size, Bite Size
NS-305-01	18 cm (7"), 1 mm
NS-305-02	18 cm (7"), 2 mm
NS-305-03	18 cm (7"), 3 mm
NS-305-04	18 cm (7"), 4 mm
NS-305-05	18 cm (7"), 5 mm



Ferris-Smith Kerrison Rongeur
 40° Forward Up Cutting



Catalog #	Size, Bite Size
NS-306-01	18 cm (7"), 1 mm
NS-306-02	18 cm (7"), 2 mm
NS-306-03	18 cm (7"), 3 mm
NS-306-04	18 cm (7"), 4 mm
NS-306-05	18 cm (7"), 5 mm



Ferris-Smith Kerrison Rongeur
 40° Forward Down Cutting



Catalog #	Size, Bite Size
NS-307-01	18 cm (7"), 1 mm
NS-307-02	18 cm (7"), 2 mm
NS-307-03	18 cm (7"), 3 mm
NS-307-04	18 cm (7"), 4 mm
NS-307-05	18 cm (7"), 5 mm



Laminectomy Punches
 Laminektomiestanzen
 Pinzas cortantes para laminectomía
 Pincas emporte-pièces à laminectomie
 Pinze taglianti per laminectomia

Ferris-Smith Kerrison Rongeur
 Up Cutting

Catalog #	Size, Bite Size
NS-308-01	20 cm (8"), 1 mm
NS-308-02	20 cm (8"), 2 mm
NS-308-03	20 cm (8"), 3 mm
NS-308-04	20 cm (8"), 4 mm
NS-308-05	20 cm (8"), 5 mm



Ferris-Smith Kerrison Rongeur
 Down Cutting

Catalog #	Size, Bite Size
NS-309-01	20 cm (8"), 1 mm
NS-309-02	20 cm (8"), 2 mm
NS-309-03	20 cm (8"), 3 mm
NS-309-04	20 cm (8"), 4 mm
NS-309-05	20 cm (8"), 5 mm



Ferris-Smith Kerrison Rongeur
 40° Forward Up Cutting

Catalog #	Size, Bite Size
NS-310-01	20 cm (8"), 1 mm
NS-310-02	20 cm (8"), 2 mm
NS-310-03	20 cm (8"), 3 mm
NS-310-04	20 cm (8"), 4 mm
NS-310-05	20 cm (8"), 5 mm



Laminectomy Punches
 Laminektomiestanzen
 Pinzas cortantes para laminectomía
 Pinces emporte-pièces à laminectomie
 Pinze taglienti per laminectomia

Ferris-Smith Kerrison Rongeur
 40° Forward Down Cutting

Catalog #	Size, Bite Size
NS-311-01	20 cm (8"), 1 mm
NS-311-02	20 cm (8"), 2 mm
NS-311-03	20 cm (8"), 3 mm
NS-311-04	20 cm (8"), 4 mm
NS-311-05	20 cm (8"), 5 mm



Ferris-Smith Kerrison Rongeur
 Detachable Model, Up Cutting

Catalog #	Size, Bite Size
NS-320-01	18 cm (7"), 1 mm
NS-320-02	18 cm (7"), 2 mm
NS-320-03	18 cm (7"), 3 mm
NS-320-04	18 cm (7"), 4 mm
NS-320-05	18 cm (7"), 5 mm



Ferris-Smith Kerrison Rongeur
 Detachable Model, Down Cutting

Catalog #	Size, Bite Size
NS-321-01	18 cm (7"), 1 mm
NS-321-02	18 cm (7"), 2 mm
NS-321-03	18 cm (7"), 3 mm
NS-321-04	18 cm (7"), 4 mm
NS-321-05	18 cm (7"), 5 mm



Laminectomy Punches
 Laminektomiestanzen
 Pinzas cortantes para laminectomía
 Pincas emporte-pièces à laminectomie
 Pinze taglianti per laminectomia

Ferris-Smith Kerrison Rongeur
 Detachable Model, 40° Forward Up Cutting

Catalog #	Size, Bite Size
NS-322-01	18 cm (7"), 1 mm
NS-322-02	18 cm (7"), 2 mm
NS-322-03	18 cm (7"), 3 mm
NS-322-04	18 cm (7"), 4 mm
NS-322-05	18 cm (7"), 5 mm



Ferris-Smith Kerrison Rongeur
 Detachable Model, 40° Forward Down Cutting

Catalog #	Size, Bite Size
NS-323-01	18 cm (7"), 1 mm
NS-323-02	18 cm (7"), 2 mm
NS-323-03	18 cm (7"), 3 mm
NS-323-04	18 cm (7"), 4 mm
NS-323-05	18 cm (7"), 5 mm



Ferris-Smith Kerrison Rongeur
 Detachable Model, Up Cutting

Catalog #	Size, Bite Size
NS-324-01	20 cm (8"), 1 mm
NS-324-02	20 cm (8"), 2 mm
NS-324-03	20 cm (8"), 3 mm
NS-324-04	20 cm (8"), 4 mm
NS-324-05	20 cm (8"), 5 mm



Laminectomy Punches
 Laminektomiestanzen
 Pinzas cortantes para laminectomía
 Pincas emporte-pièces à laminectomie
 Pinze taglianti per laminectomia

Ferris-Smith Kerrison Rongeur
 Detachable Model, Down Cutting

Catalog #	Size, Bite Size
NS-325-01	20 cm (8"), 1 mm
NS-325-02	20 cm (8"), 2 mm
NS-325-03	20 cm (8"), 3 mm
NS-325-04	20 cm (8"), 4 mm
NS-325-05	20 cm (8"), 5 mm



Ferris-Smith Kerrison Rongeur
 Detachable Model, 40° Up Cutting

Catalog #	Size, Bite Size
NS-326-01	20 cm (8"), 1 mm
NS-326-02	20 cm (8"), 2 mm
NS-326-03	20 cm (8"), 3 mm
NS-326-04	20 cm (8"), 4 mm
NS-326-05	20 cm (8"), 5 mm



Ferris-Smith Kerrison Rongeur
 Detachable Model, 40° Down Cutting

Catalog #	Size, Bite Size
NS-327-01	20 cm (8"), 1 mm
NS-327-02	20 cm (8"), 2 mm
NS-327-03	20 cm (8"), 3 mm
NS-327-04	20 cm (8"), 4 mm
NS-327-05	20 cm (8"), 5 mm



Laminectomy Punches
 Laminektomiestanzen
 Pinzas cortantes para laminectomía
 Pincas emporte-pièces à laminectomie
 Pinze taglianti per laminectomia

Ferris-Smith Kerrison Rongeur
 Up Cutting

Catalog #	Size, Bite Size
NS-330-01	18 cm (7"), 1 mm
NS-330-02	18 cm (7"), 2 mm
NS-330-03	18 cm (7"), 3 mm
NS-330-04	18 cm (7"), 4 mm
NS-330-05	18 cm (7"), 5 mm



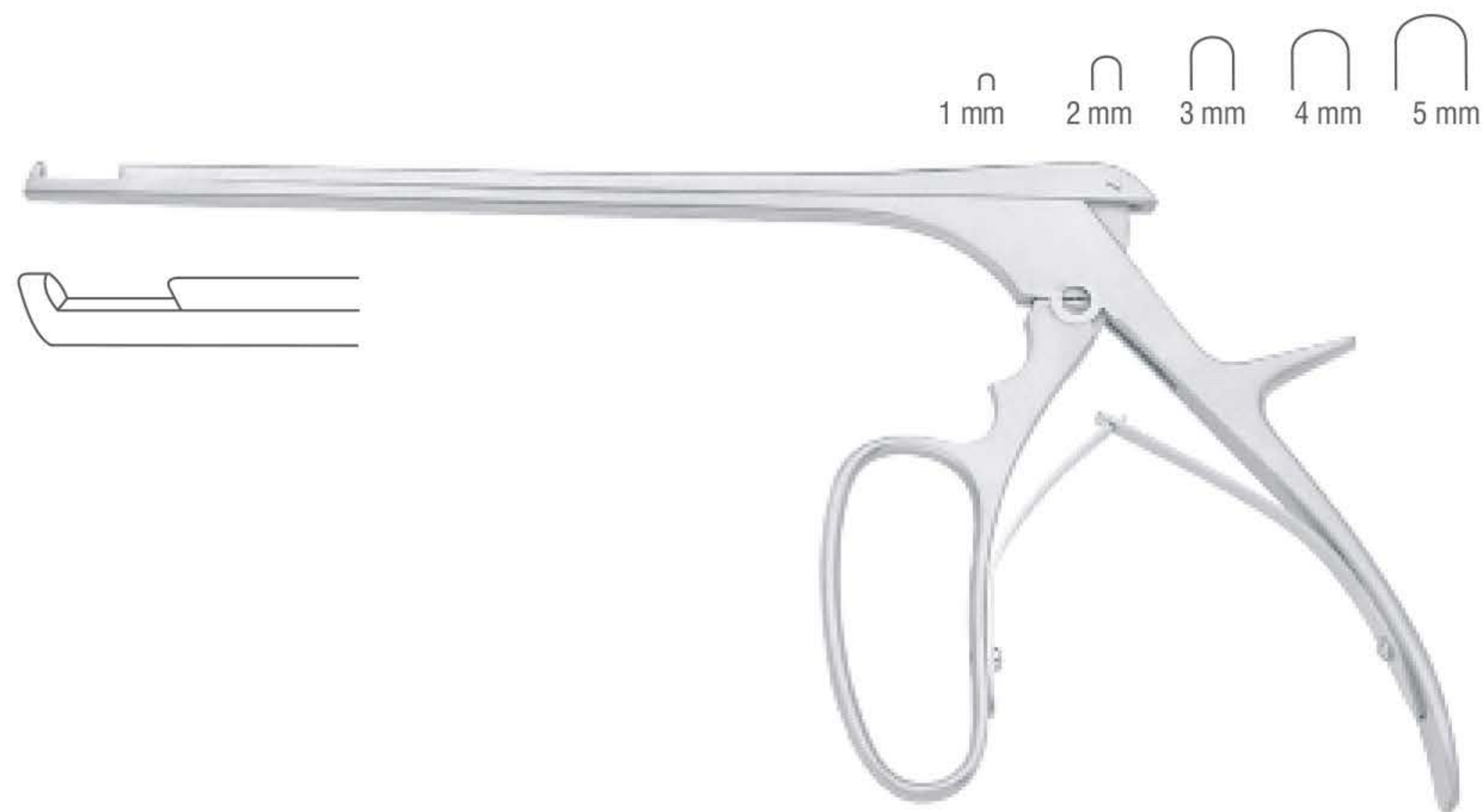
Ferris-Smith Kerrison Rongeur
 Down Cutting

Catalog #	Size, Bite Size
NS-331-01	18 cm (7"), 1 mm
NS-331-02	18 cm (7"), 2 mm
NS-331-03	18 cm (7"), 3 mm
NS-331-04	18 cm (7"), 4 mm
NS-331-05	18 cm (7"), 5 mm



Ferris-Smith Kerrison Rongeur
 40° Forward Up Cutting

Catalog #	Size, Bite Size
NS-332-01	18 cm (7"), 1 mm
NS-332-02	18 cm (7"), 2 mm
NS-332-03	18 cm (7"), 3 mm
NS-332-04	18 cm (7"), 4 mm
NS-332-05	18 cm (7"), 5 mm



Laminectomy Punches
 Laminektomiestanzen
 Pinzas cortantes para laminectomía
 Pincas emporte-pièces à laminectomie
 Pinze taglianti per laminectomia

Ferris-Smith Kerrison Rongeur
 40° Forward Down Cutting

Catalog #	Size, Bite Size
NS-333-01	18 cm (7"), 1 mm
NS-333-02	18 cm (7"), 2 mm
NS-333-03	18 cm (7"), 3 mm
NS-333-04	18 cm (7"), 4 mm
NS-333-05	18 cm (7"), 5 mm



Ferris-Smith Kerrison Rongeur
 Up Cutting

Catalog #	Size, Bite Size
NS-334-01	20 cm (8"), 1 mm
NS-334-02	20 cm (8"), 2 mm
NS-334-03	20 cm (8"), 3 mm
NS-334-04	20 cm (8"), 4 mm
NS-334-05	20 cm (8"), 5 mm



Ferris-Smith Kerrison Rongeur
 Down Cutting

Catalog #	Size, Bite Size
NS-335-01	20 cm (8"), 1 mm
NS-335-02	20 cm (8"), 2 mm
NS-335-03	20 cm (8"), 3 mm
NS-335-04	20 cm (8"), 4 mm
NS-335-05	20 cm (8"), 5 mm



Laminectomy Punches
 Laminektomiestanzen
 Pinzas cortantes para laminectomía
 Pincas emporte-pièces à laminectomie
 Pinze taglianti per laminectomia

Ferris-Smith Kerrison Rongeur
 40° Forward Up Cutting

Catalog #	Size, Bite Size
NS-336-01	20 cm (8"), 1 mm
NS-336-02	20 cm (8"), 2 mm
NS-336-03	20 cm (8"), 3 mm
NS-336-04	20 cm (8"), 4 mm
NS-336-05	20 cm (8"), 5 mm



Ferris-Smith Kerrison Rongeur
 40° Forward Down Cutting

Catalog #	Size, Bite Size
NS-337-01	20 cm (8"), 1 mm
NS-337-02	20 cm (8"), 2 mm
NS-337-03	20 cm (8"), 3 mm
NS-337-04	20 cm (8"), 4 mm
NS-337-05	20 cm (8"), 5 mm



Cushing Laminectomy Rongeur

Catalog #	Size, Bite Size, Profile
NS-400-01	13 cm (5"), 2 x 10 mm, Straight
NS-400-02	13 cm (5"), 2 x 10 mm, Up
NS-400-03	13 cm (5"), 2 x 10 mm, Down



Cushing Laminectomy Rongeur

Catalog #	Size, Bite Size, Profile
NS-401-01	15 cm (6"), 2 x 10 mm, Straight
NS-401-02	15 cm (6"), 2 x 10 mm, Up
NS-401-03	15 cm (6"), 2 x 10 mm, Down



Laminectomy Punches
 Laminektomiestanzen
 Pinzas cortantes para laminectomía
 Pinces emporte-pièces à laminectomie
 Pinze taglianti per laminectomia

Cushing Laminectomy Rongeur

Catalog #	Size, Bite Size, Profile
NS-402-01	18 cm (7"), 2 x 10 mm, Straight
NS-402-02	18 cm (7"), 2 x 10 mm, Up
NS-402-03	18 cm (7"), 2 x 10 mm, Down



Cushing Laminectomy Rongeur

Catalog #	Size, Bite Size, Profile
NS-403-01	20 cm (8"), 2 x 10 mm, Straight
NS-403-02	20 cm (8"), 2 x 10 mm, Up
NS-403-03	20 cm (8"), 2 x 10 mm, Down



Love-Gruenwald Laminectomy Rongeur

Catalog #	Size, Bite Size, Profile
NS-404-01	13 cm (5"), 3 x 10 mm, Straight
NS-404-02	13 cm (5"), 3 x 10 mm, Up
NS-404-03	13 cm (5"), 3 x 10 mm, Down



Love-Gruenwald Laminectomy Rongeur

Catalog #	Size, Bite Size, Profile
NS-405-01	15 cm (6"), 3 x 10 mm, Straight
NS-405-02	15 cm (6"), 3 x 10 mm, up
NS-405-03	15 cm (6"), 3 x 10 mm, Down



Laminectomy Punches
 Laminektomiestanzen
 Pinzas cortantes para laminectomía
 Pincas emporte-pièces à laminectomie
 Pinze taglianti per laminectomia

Love-Gruenwald Laminectomy Rongeur

Catalog #	Size, Bite Size, Profile
NS-406-01	18 cm (7"), 3 x 10 mm, Straight
NS-406-02	18 cm (7"), 3 x 10 mm, Up
NS-406-03	18 cm (7"), 3 x 10 mm, Down



Love-Gruenwald Laminectomy Rongeur

Catalog #	Size, Bite Size, Profile
NS-407-01	20 cm (8"), 3 x 10 mm, Straight
NS-407-02	20 cm (8"), 3 x 10 mm, Up
NS-407-03	20 cm (8"), 3 x 10 mm, Down



Spurling Laminectomy Rongeur

Catalog #	Size, Bite Size, Profile
NS-408-01	13 cm (5"), 4 x 10 mm, Straight
NS-408-02	13 cm (5"), 4 x 10 mm, Up
NS-408-03	13 cm (5"), 4 x 10 mm, Down



Spurling Laminectomy Rongeur

Catalog #	Size, Bite Size, Profile
NS-409-01	15 cm (6"), 4 x 10 mm, Straight
NS-409-02	15 cm (6"), 4 x 10 mm, Up
NS-409-03	15 cm (6"), 4 x 10 mm, Down



Laminectomy Punches
 Laminektomiestanzen
 Pinzas cortantes para laminectomía
 Pincas emporte-pièces à laminectomie
 Pinze taglianti per laminectomia

Spurling Laminectomy Rongeur

Catalog #	Size, Bite Size, Profile
NS-410-01	18 cm (7"), 4 x 10 mm, Straight
NS-410-02	18 cm (7"), 4 x 10 mm, up
NS-410-03	18 cm (7"), 4 x 10 mm, Down



Spurling Laminectomy Rongeur

Catalog #	Size, Bite Size, Profile
NS-411-01	20 cm (8"), 4 x 10 mm, Straight
NS-411-02	20 cm (8"), 4 x 10 mm, Up
NS-411-03	20 cm (8"), 4 x 10 mm, Down



Ferris-Smith Laminectomy Rongeur Straight

Catalog #	Size, Bite Size, Profile
NS-430-01	15.5 cm (6"), 2 mm, Straight
NS-430-02	15.5 cm (6"), 2 mm, Up
NS-430-03	15.5 cm (6"), 2 mm, Down



Ferris-Smith Laminectomy Rongeur

Catalog #	Size, Bite Size, Profile
NS-431-01	18 cm (7"), 3 mm, Straight
NS-431-02	18 cm (7"), 3 mm, Up
NS-431-03	18 cm (7"), 3 mm, Down



Laminectomy Punches
 Laminektomiestanzen
 Pinzas cortantes para laminectomía
 Pincas emporte-pièces à laminectomie
 Pinze taglienti per laminectomia

Ferris-Smith Laminectomy Rongeur

Catalog #	Size, Bite Size, Profile
NS-432-01	18 cm (7"), 4 mm, Straight
NS-432-02	18 cm (7"), 4 mm, Up
NS-432-03	18cm (7"), 4 mm, Down



Ferris-Smith Laminectomy Rongeur

Catalog #	Size, Bite Size, Profile
NS-433-01	18 cm (7"), 5 mm, Straight
NS-433-02	18 cm (7"), 5 mm, Up
NS-433-03	18 cm (7"), 5 mm, Down



Laminectomy Rongeur
 Fenestrated and Serrated Jaws

Catalog #	Size, Bite Size, Profile
NS-440-01	15.5 cm (6"), 2 x 12 mm, Straight
NS-440-02	15.5 cm (6"), 2 x 12 mm, Up
NS-440-03	15.5 cm (6"), 2 x 12 mm, Down



Laminectomy Rongeur
 Fenestrated and Serrated Jaws

Catalog #	Size, Bite Size, Profile
NS-441-01	15.5 cm (6"), 3 x 12 mm, Straight
NS-441-02	15.5 cm (6"), 3 x 12 mm, Up
NS-441-03	15.5 cm (6"), 3 x 12 mm, Down



Laminectomy Punches
 Laminektomiestanzen
 Pinzas cortantes para laminectomía
 Pincas emporte-pièces à laminectomie
 Pinze taglianti per laminectomia

Laminectomy Rongeur
 Straight, Fenestrated and Serrated Jaws

Catalog #	Size, Bite Size, Profile
NS-442-01	15.5 cm (6"), 4 x 14 mm, Straight
NS-442-02	15.5 cm (6"), 4 x 14 mm, Up
NS-442-03	15.5 cm (6"), 4 x 14 mm, Down



Laminectomy Rongeur
 Fenestrated and Serrated Jaws

Catalog #	Size, Bite Size, Profile
NS-443-01	15.5 cm (6"), 5 x 14 mm, Straight
NS-443-02	15.5 cm (6"), 5 x 14 mm, Up
NS-443-03	15.5 cm (6"), 5 x 14 mm, Down



Laminectomy Rongeur
 Fenestrated and Serrated Jaws

Catalog #	Size, Bite Size, Profile
NS-444-01	15.5 cm (6"), 6 x 14 mm, Straight
NS-444-02	15.5 cm (6"), 6 x 14 mm, Up
NS-444-03	15.5 cm (6"), 6 x 14 mm, Down



Schlesinger Laminectomy Rongeur
 Serrated Jaws

Catalog #	Size, Bite Size
NS-451-02	13 cm (5"), 2 x 10 mm
NS-451-03	13 cm (5"), 3 x 10 mm
NS-451-04	13 cm (5"), 4 x 10 mm



Laminectomy Punches, Micro Neuro Instruments
 Laminektomiestanzen, Mikro Neuro Instrumente
 Pinzas cortantes para laminectomía, Micro Neuro Instrumentos
 Pinces emporte-pièces à laminectomie, Micro Neuro Instruments
 Pinze taglianti per laminectomia, Micro Neuro Strumenti

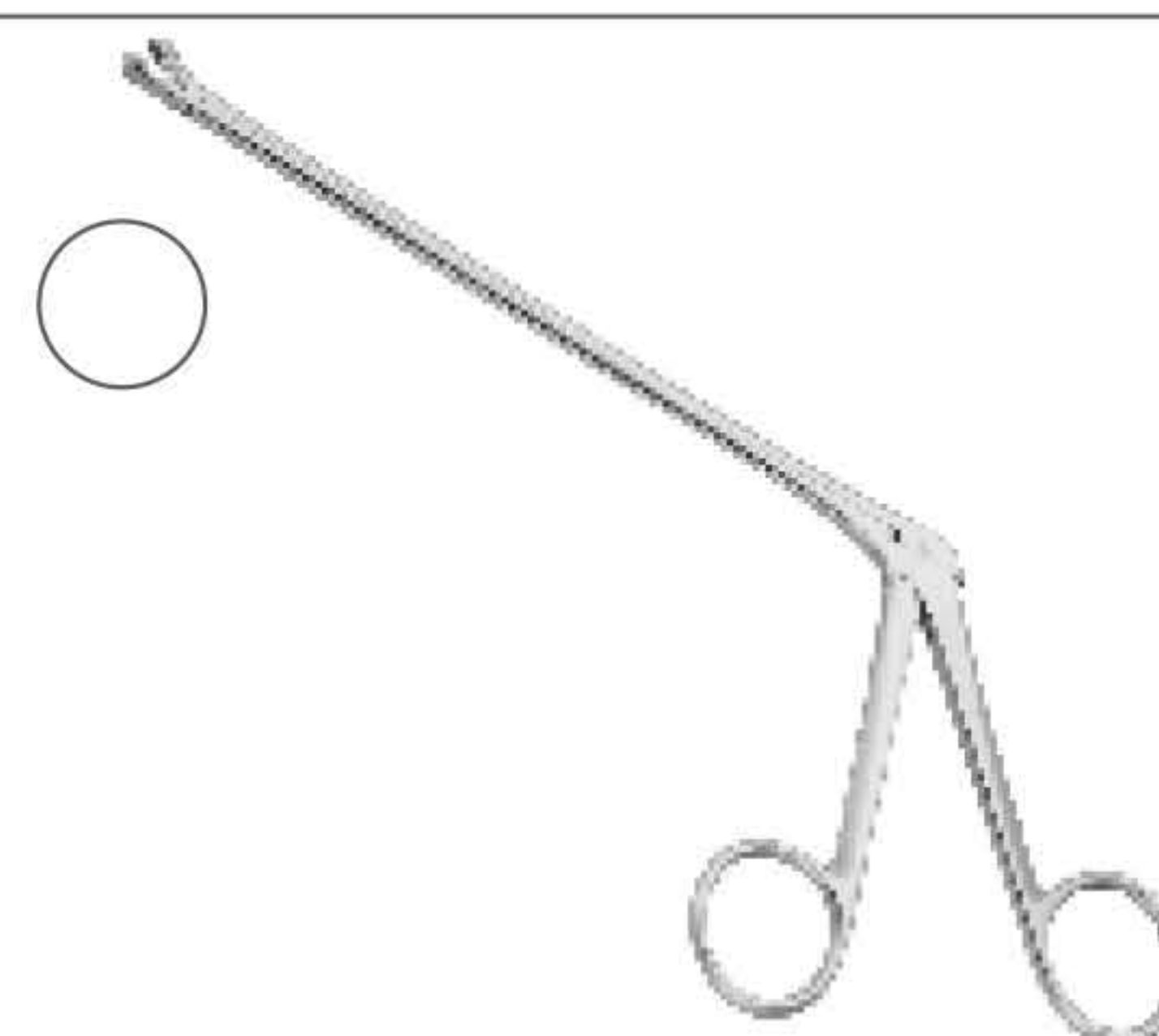
Yasargil Tumor Grasping Forcep

Catalog #	Size, Bite Size
NS-461-35	20 cm (8"), Ø 3.5 mm



Oldberg Tumor Grasping Forcep

Catalog #	Size, Bite Size
NS-463-60	18 cm (7"), Ø 6.5 mm



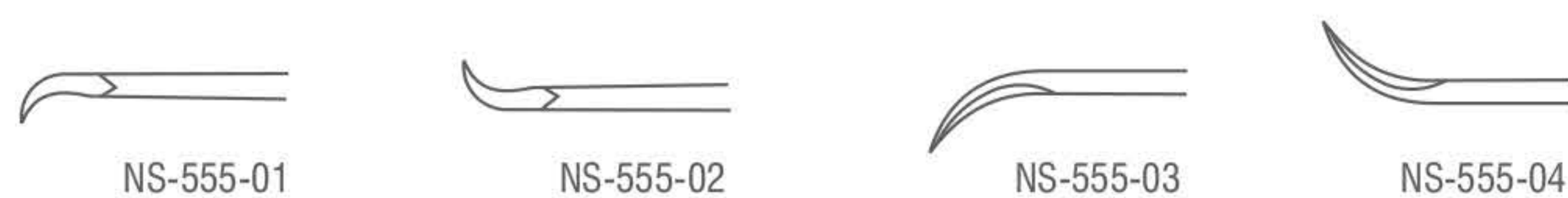
Jacobson Micro Knife
Straight

Catalog #	Size
NS-550-18	18.5 cm (7 1/4")



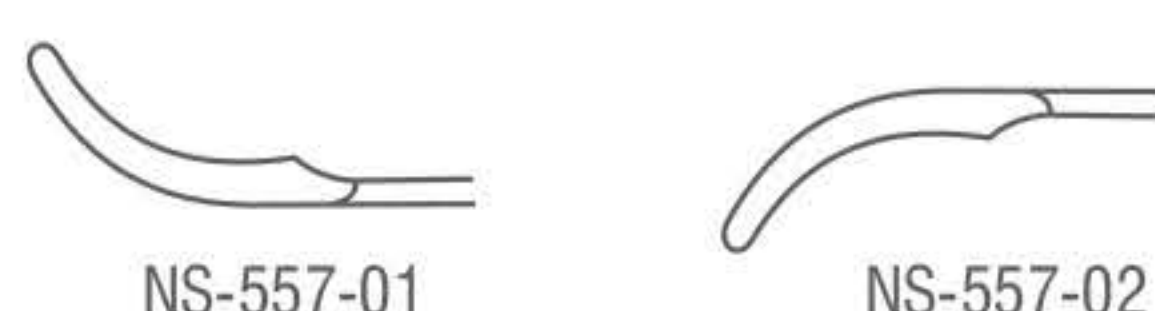
Koos Micro Knife
Bayonet Shaped

Catalog #	Size, Bite Size
NS-555-01	18.5 cm (7 1/4")
NS-555-02	18.5 cm (7 1/4")
NS-555-03	18.5 cm (7 1/4")
NS-555-04	18.5 cm (7 1/4")



Koos Micro Knife
Bayonet Shaped

Catalog #	Size
NS-557-01	18.5 cm (7 1/4")
NS-557-02	18.5 cm (7 1/4")



Micro Neuro Instruments
 Mikro Neuro Instrumente
 Micro Neuro Instrumentos
 Micro Neuro Instruments
 Micro Neuro Strumenti

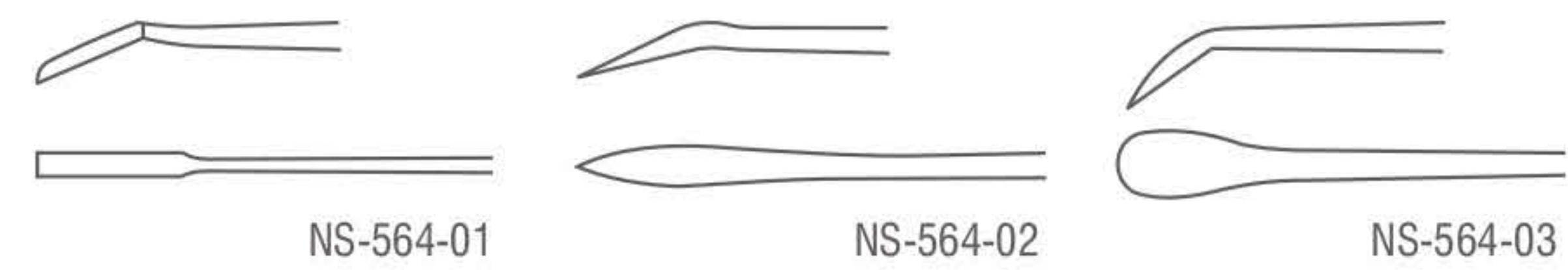
Yasargil Micro Knife
 Bayonet Shaped



Catalog #	Size
NS-559-01	18.5 cm (7 1/4")
NS-559-02	18.5 cm (7 1/4")



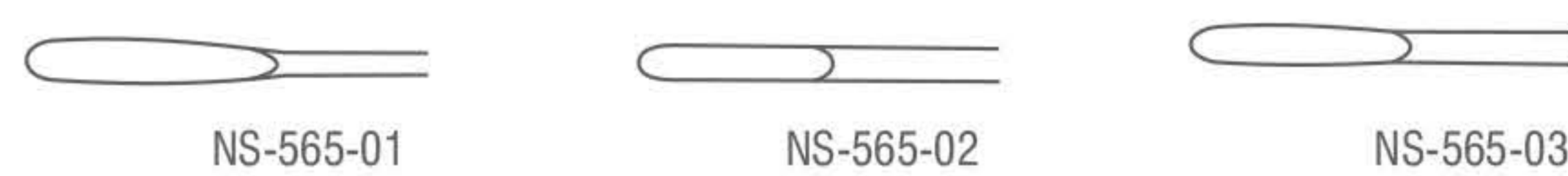
Yasargil Micro Respiratory
 Straight



Catalog #	Size
NS-564-01	18.5 cm (7 1/4")
NS-564-02	18.5 cm (7 1/4")
NS-564-03	18.5 cm (7 1/4")
NS-564-04	18.5 cm (7 1/4")
NS-564-05	18.5 cm (7 1/4")



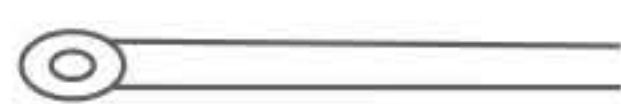
Yasargil Micro Respiratory
 Bayonet Shaped



Catalog #	Size
NS-565-01	18.5 cm (7 1/4")
NS-565-02	18.5 cm (7 1/4")
NS-565-03	18.5 cm (7 1/4")



Yasargil Micro Curette
 Bayonet Shaped



Catalog #	Size
NS-567-18	18.5 cm (7 1/4")



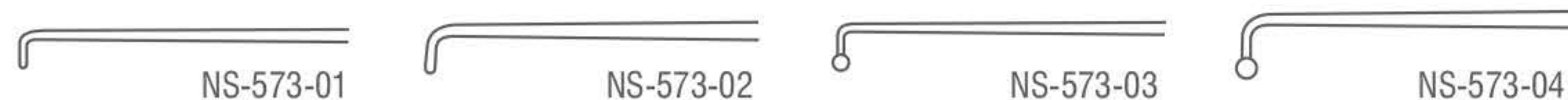
Micro Neuro Instruments
 Mikro Neuro Instrumente
 Micro Neuro Instrumentos
 Micro Neuro Instruments
 Micro Neuro Strumenti

Micro Nerve & Vessel Hook



Catalog #	Size, Tip Length
NS-571-01	18.5 cm (7 1/4"), 3.0 mm
NS-571-02	18.5 cm (7 1/4"), 5.0 mm

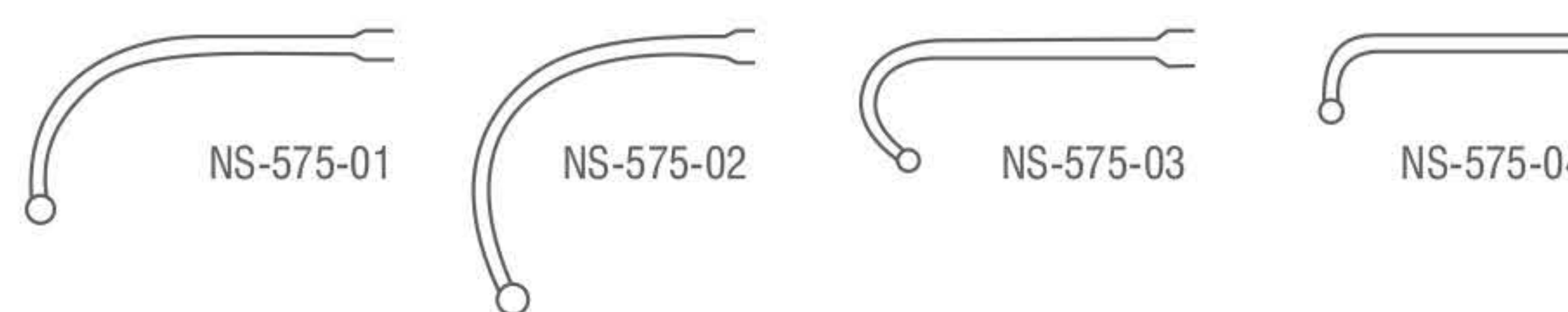
Krayenbuhl Micro Nerve & Vessel Hook



Catalog #	Size, Profile
NS-573-01	18.5 cm (7 1/4"), Fig. 1
NS-573-02	18.5 cm (7 1/4"), Fig. 2
NS-573-03	18.5 cm (7 1/4"), Fig. 3
NS-573-04	18.5 cm (7 1/4"), Fig. 4



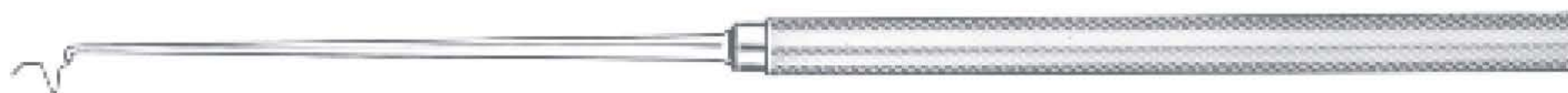
Yasargil Ligature Guide



Catalog #	Size, Profile
NS-575-01	18.5 cm (7 1/4"), Fig. 1
NS-575-02	18.5 cm (7 1/4"), Fig. 2
NS-575-03	18.5 cm (7 1/4"), Fig. 3
NS-575-04	18.5 cm (7 1/4"), Fig. 4



Micro Vessel Dilator



Catalog #	Size, Diameter, Profile
NS-577-01	12.5 cm (5"), Ø 0.5 mm, Fig. 1
NS-577-02	12.5 cm (5"), Ø 1.0 mm, Fig. 2
NS-577-03	12.5 cm (5"), Ø 1.5 mm, Fig. 3

Micro Neuro Instruments
 Mikro Neuro Instrumente
 Micro Neuro Instrumentos
 Micro Neuro Instruments
 Micro Neuro Strumenti

Jacobson Micro Vessel Probe



Catalog #	Size, Profile
NS-579-01	18.5 cm (7 1/4"), 1 Prong
NS-579-02	18.5 cm (7 1/4"), 2 Prong

Jacobson Micro Suture Pusher



Catalog #	Size
NS-579-03	18.5 cm (7 1/4")

Micro Neuro Instruments
 Mikro Neuro Instrumente
 Micro Neuro Instrumentos
 Micro Neuro Instruments
 Micro Neuro Strumenti

Caspar Exploration Hook

Catalog #	Size, Profile
NS-581-01	24.5 cm, (9 1/2"), Fig. 1
NS-581-02	24.5 cm, (9 1/2"), Fig. 2
NS-581-03	24.5 cm, (9 1/2"), Fig. 3
NS-581-04	24.5 cm, (9 1/2"), Fig. 4

Rhoton Micro Dissector

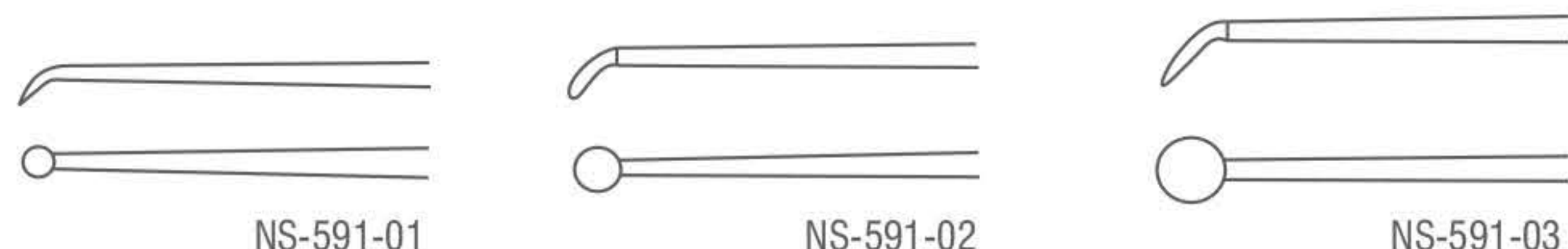
Set of 15 Ref: NS-591-01 up to NS-591-15



Catalog #	Size
NS-590-00	N/A

Rhoton Micro Dissector

Round Shaped

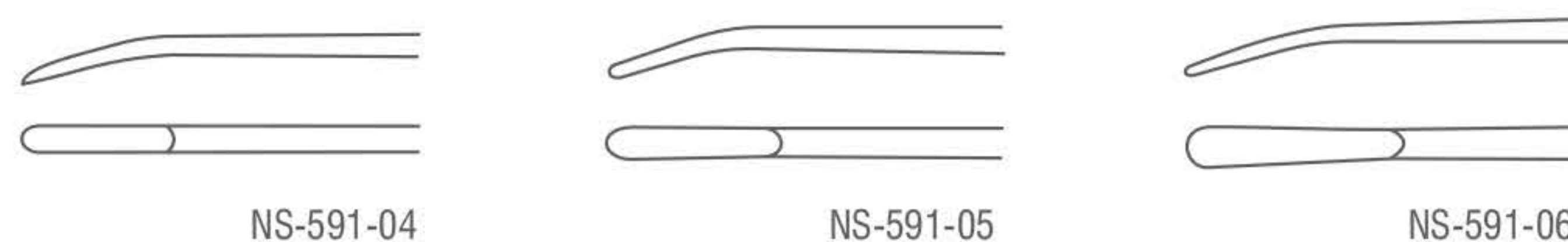


Catalog #	Size, Diameter
NS-591-01	18.5 cm (7 1/4"), Ø 1.0 mm
NS-591-02	18.5 cm (7 1/4"), Ø 2.0 mm
NS-591-03	18.5 cm (7 1/4"), Ø 3.0 mm



Rhoton Micro Dissector

Spatula Shaped

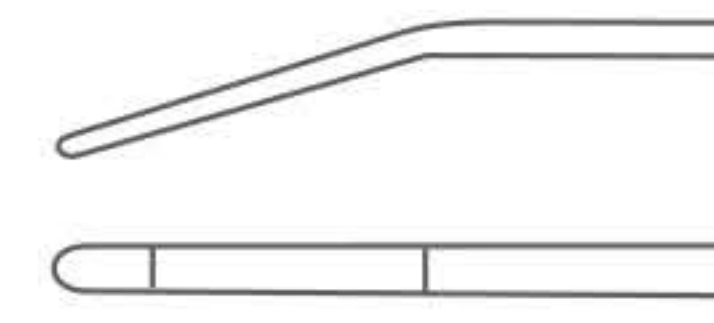


Catalog #	Size, Tip Size
NS-591-04	18.5 cm (7 1/4"), 1.0 mm
NS-591-05	18.5 cm (7 1/4"), 1.5 mm
NS-591-06	18.5 cm (7 1/4"), 2.0 mm

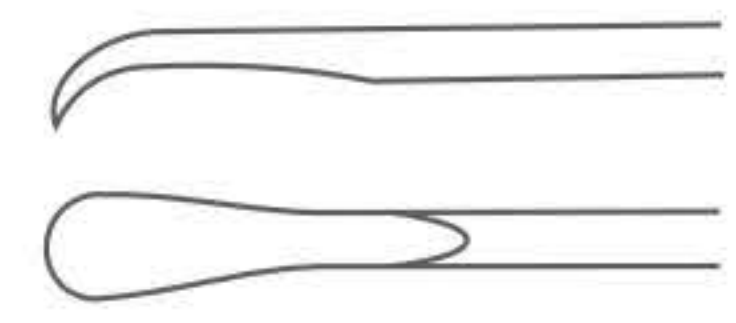


Micro Neuro Instruments
 Mikro Neuro Instrumente
 Micro Neuro Instrumentos
 Micro Neuro Instruments
 Micro Neuro Strumenti

Rhoton Micro Elevator



NS-591-07



NS-591-08



Catalog #	Size, Tip Size
NS-591-07	18.5 cm (7 1/4"), 1.2 mm
NS-591-08	18.5 cm (7 1/4"), 2.8 mm

Rhoton Micro Needle

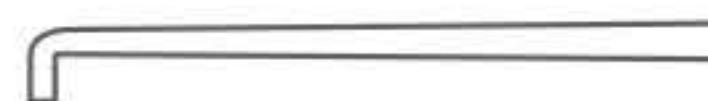
Semi, Sharp



Catalog #	Size
NS-591-09	18.5 cm (7 1/4")

Rhoton Micro Hook

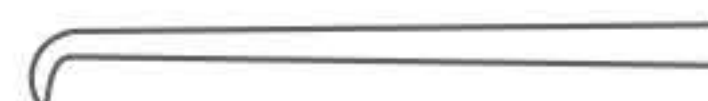
Angled 90°, Blunt



Catalog #	Size, Tip Size
NS-591-10	18.5 cm (7 1/4"), 2 mm

Rhoton Micro Hook

Angled 90°, Semi Sharp



Catalog #	Size, Tip Size
NS-591-11	18.5 cm (7 1/4"), 2 mm

Rhoton Micro Hook

Angled 45°, Semi Sharp



Catalog #	Size, Tip Size
NS-591-12	18.5 cm (7 1/4"), 3 mm

Micro Neuro Instruments
 Mikro Neuro Instrumente
 Micro Neuro Instrumentos
 Micro Neuro Instruments
 Micro Neuro Strumenti

Rhoton Micro Hook
 Angled 90°



Catalog #	Size
NS-591-13	18.5 cm (7 ¼")

Rhoton Micro Curette



Catalog #	Size, Tip Size
NS-591-14	18.5 cm (7 ¼"), 1.0 x 2.0 mm

Rhoton Micro Curette
 Angled 45°



Catalog #	Size, Tip Size
NS-591-15	18.5 cm (7 ¼"), 1.0 x 2.0 mm

Yasargil Micro Elevator
 Bayonet Shaped



Catalog #	Size
NS-607-24	24 cm (9 ½")

Yasargil Micro Elevator
 Bayonet Shaped



Catalog #	Size
NS-611-24	24 cm (9 ½")

Micro Neuro Instruments
 Mikro Neuro Instrumente
 Micro Neuro Instrumentos
 Micro Neuro Instruments
 Micro Neuro Strumenti

Yasargil Micro Raspatory
 Bayonet Shaped



Catalog #	Size
NS-613-24	24 cm (9 1/2")

Yasargil Micro Dissector
 Bayonet Shaped



Catalog #	Size
NS-615-01	24 cm (9 1/2")
NS-615-02	24 cm (9 1/2")

Yasargil Micro Needle
 Bayonet Shaped, Semi Sharp



Catalog #	Size
NS-618-24	24 cm (9 1/2")

Yasargil Micro Curette
 Straight



Catalog #	Size
NS-631-01	24 cm (9 1/2")

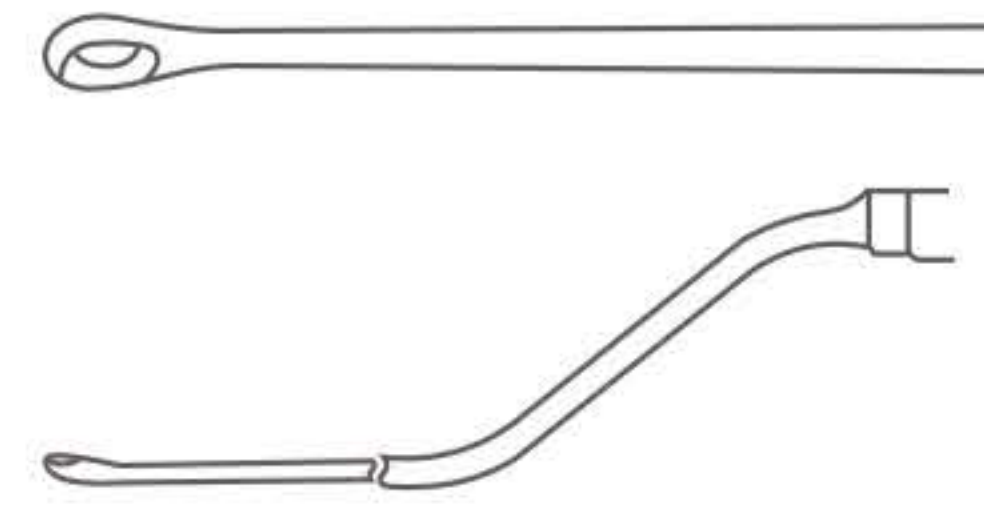
Yasargil Micro Curette
 Angled



Catalog #	Size
NS-633-01	24 cm (9 1/2")

Micro Neuro Instruments
 Mikro Neuro Instrumente
 Micro Neuro Instrumentos
 Micro Neuro Instruments
 Micro Neuro Strumenti

Yasargil Micro Curette
 Bayonet Shaped



Catalog #	Size
NS-635-01	24 cm (9 1/2")



Hardy Micro Sickle Dissector
 Bayonet Shaped, Blunt



Catalog #	Size
NS-651-01	24 cm (9 1/2")
NS-651-02	24 cm (9 1/2")

Hardy Micro Sickle Dissector
 Bayonet Shaped, Sharp



Catalog #	Size
NS-651-03	24 cm (9 1/2")
NS-651-04	24 cm (9 1/2")

Hardy Implant Fork
 Bayonet Shaped



Catalog #	Size
NS-655-24	24 cm (9 1/2")

Hardy-Fahlbusch Micro Dissector
 Bayonet Shaped Sharp



Catalog #	Size
NS-659-01	24 cm (9 1/2")
NS-659-02	24 cm (9 1/2")

Micro Neuro Instruments
 Mikro Neuro Instrumente
 Micro Neuro Instrumentos
 Micro Neuro Instruments
 Micro Neuro Strumenti

Casper Micro Dissector

Set of 6 Ref: NS-671-10 up to NS-675-10



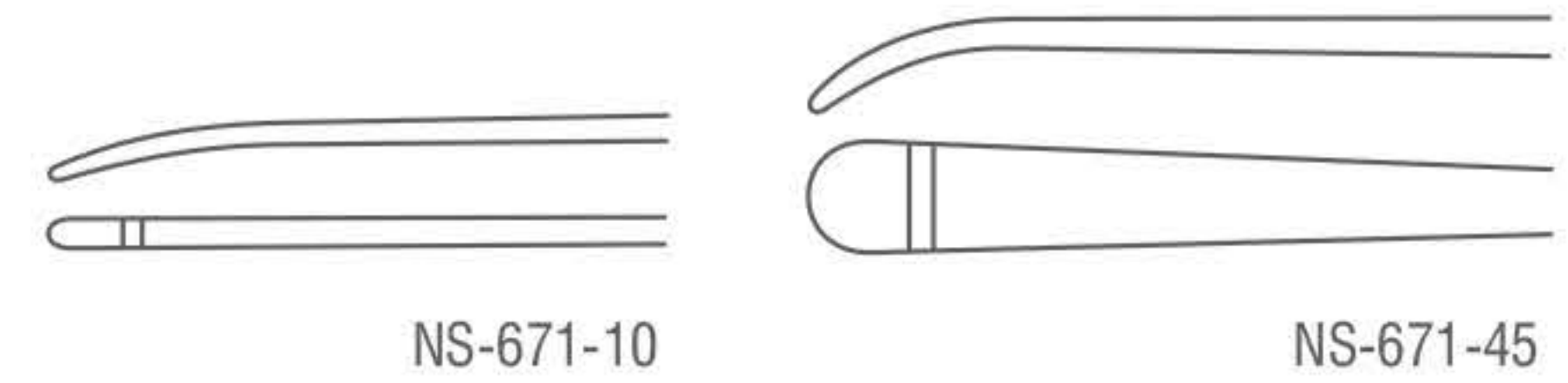
Catalog #	Size
NS-670-00	N/A

Casper Micro Dissector

Straight



Catalog #	Size, Tip Size
NS-671-10	24 cm (9 1/2"), 1.0 mm
NS-671-45	24 cm (9 1/2"), 4.5 mm

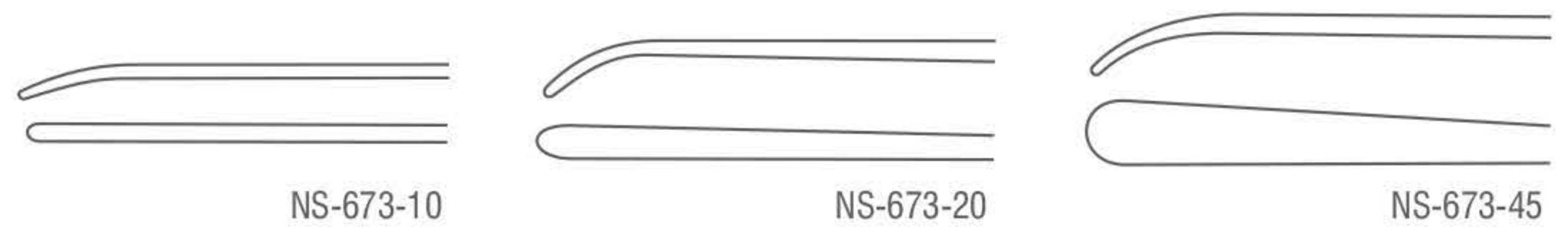


Casper Micro Dissector

Bayonet Shaped, Curved Down



Catalog #	Size, Tip Size
NS-673-10	24 cm (9 1/2"), 1.0 mm
NS-673-20	24 cm (9 1/2"), 2.0 mm
NS-673-45	24 cm (9 1/2"), 4.5 mm

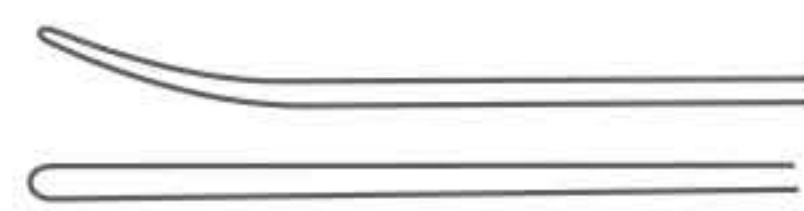


Casper Micro Dissector

Bayonet Shaped, Curved Up



Catalog #	Size, Tip Size
NS-675-10	24 cm (9 1/2"), 1.0 mm

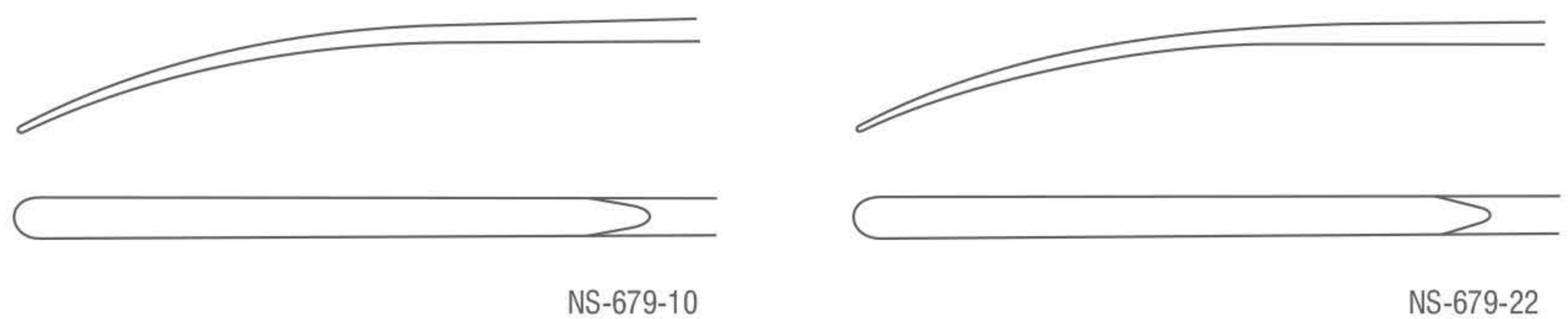


Micro Dissector

Straight



Catalog #	Size
NS-679-19	19 cm (7 1/2")
NS-679-22	21.5 cm (8 1/2")



Micro Neuro Instruments
 Mikro Neuro Instrumente
 Micro Neuro Instrumentos
 Micro Neuro Instruments
 Micro Neuro Strumenti

Ray Micro Curette
 Angled 45°, Horizontal



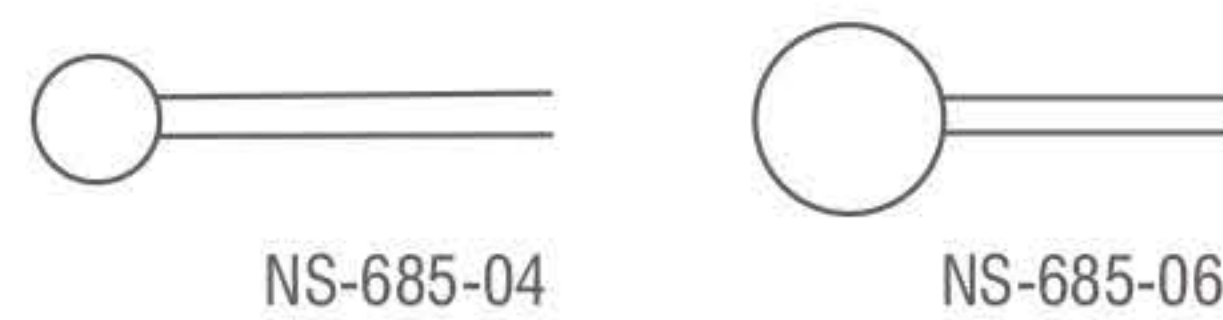
Catalog #	Size, Diameter
NS-681-01	19 cm (7 1/2"), Ø 4.0 mm

Ray Micro Curette
 Angled 45°, Vertical



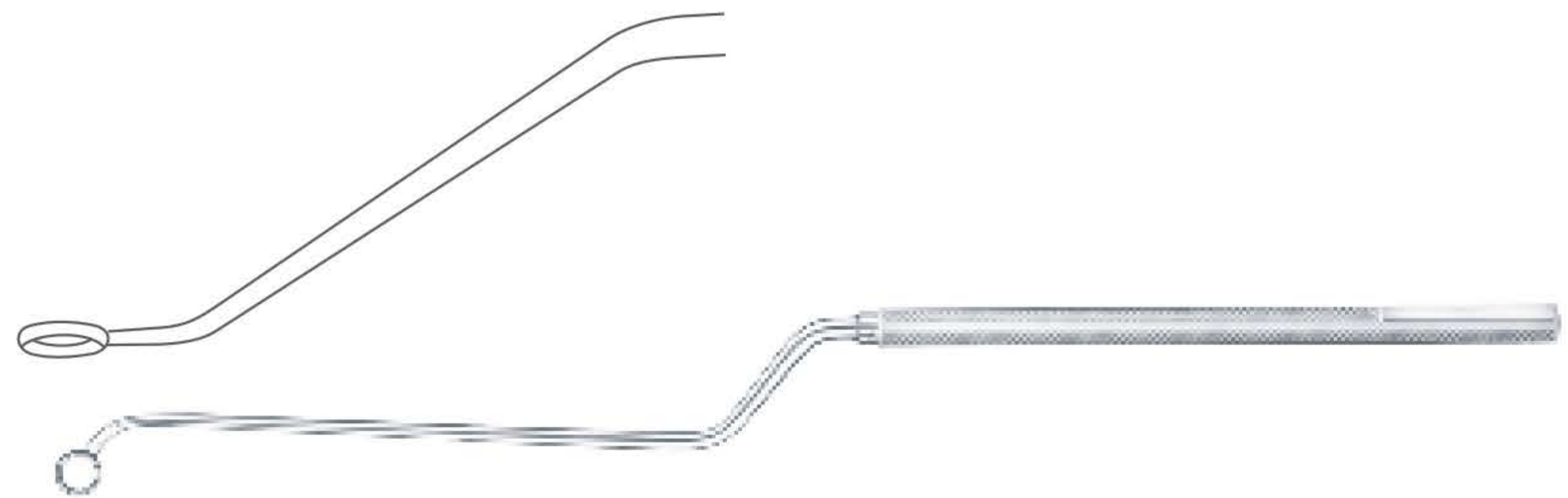
Catalog #	Size, Diameter
NS-681-02	19 cm (7 1/2"), Ø 4.0 mm

Hardy Micro Curette
 Bayonet Shaped



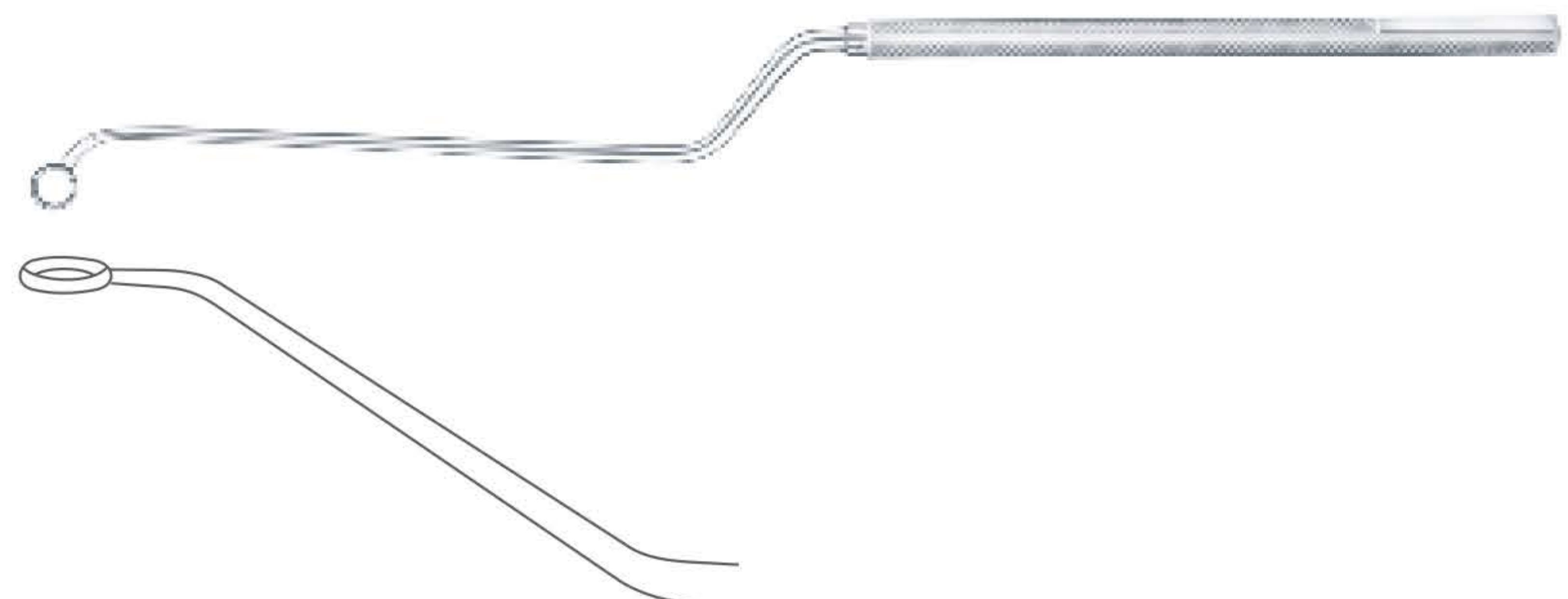
Catalog #	Size, Diameter
NS-685-04	26 cm (10 1/4"), Ø 4.0 mm
NS-685-06	26 cm (10 1/4"), Ø 6.0 mm

Nicola Micro Curette
 Bayonet Shaped, Left



Catalog #	Size, Diameter
NS-689-01	21.5 cm (8 1/2"), Ø 6.5 mm

Nicola Micro Curette
 Bayonet Shaped, Right



Catalog #	Size, Diameter
NS-689-02	21.5 cm (8 1/2"), Ø 6.5 mm

Micro Neuro Instruments
 Mikro Neuro Instrumente
 Micro Neuro Instrumentos
 Micro Neuro Instruments
 Micro Neuro Strumenti

Nicola Micro Curette
 Bayonet Shaped, Angled Up



Catalog #	Size, Diameter
NS-689-03	21.5 cm (8 1/2"), Ø 6.5 mm

Hosobuchi Fork Spatula
 Bayonet Shaped, Rigid



Catalog #	Size
NS-695-26	26 cm (10 1/4")

Landolt Micro Curette
 Bayonet Shaped, Malleable



Catalog #	Size
NS-697-26	26 cm (10 1/4")

Landolt Micro Curette
 Bayonet Shaped, Blunt, Malleable



Catalog #	Size
NS-699-26	26 cm (10 1/4")

Landolt Micro Raspatory
 Bayonet Shaped, Malleable

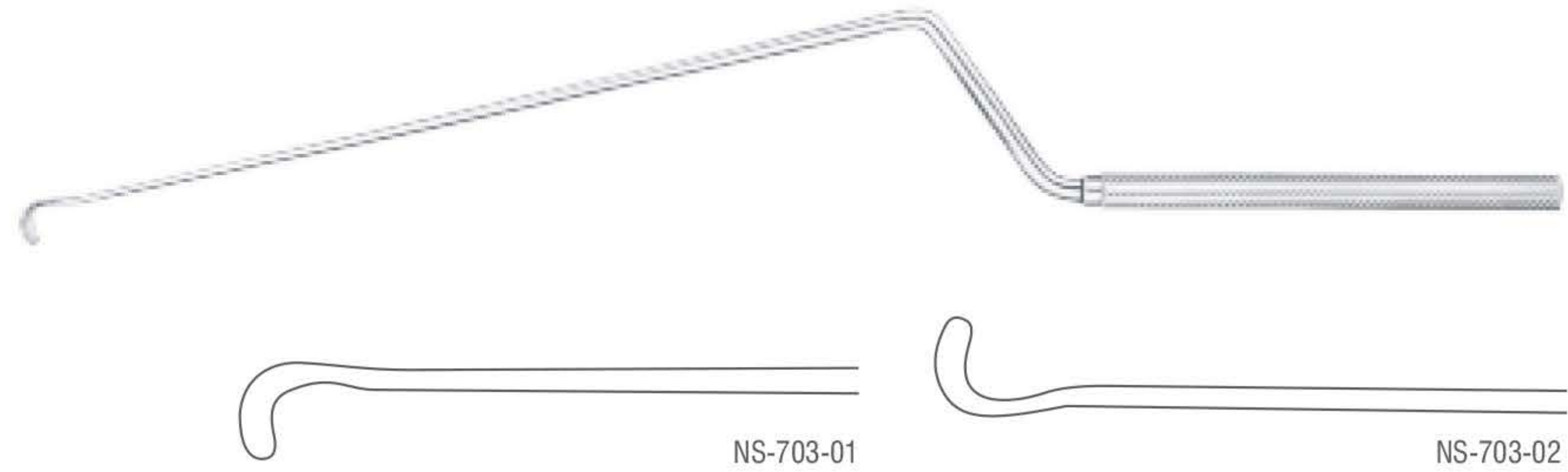


Catalog #	Size
NS-701-26	26 cm (10 1/4")

Micro Neuro Instruments
 Mikro Neuro Instrumente
 Micro Neuro Instrumentos
 Micro Neuro Instruments
 Micro Neuro Strumenti

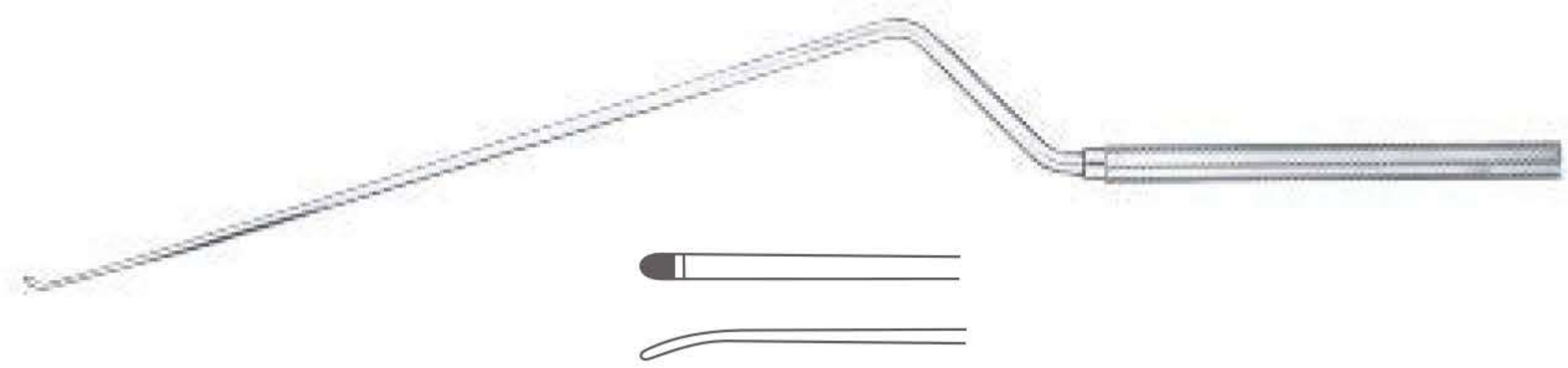
Landolt Micro Enucleator
 Bayonet Shaped

Catalog #	Size
NS-703-01	26 cm (10 1/4")
NS-703-02	26 cm (10 1/4")



Landolt-Reulen Micro Dissector
 Bayonet Shaped, Rigid

Catalog #	Size, Tip Size
NS-711-26	26 cm (10 1/4"), 2.0 mm



Landolt-Reulen Micro Hook
 Bayonet Shaped, Blunt, Rigid

Catalog #	Size, Tip Size
NS-713-26	26 cm (10 1/4"), 1.7 mm



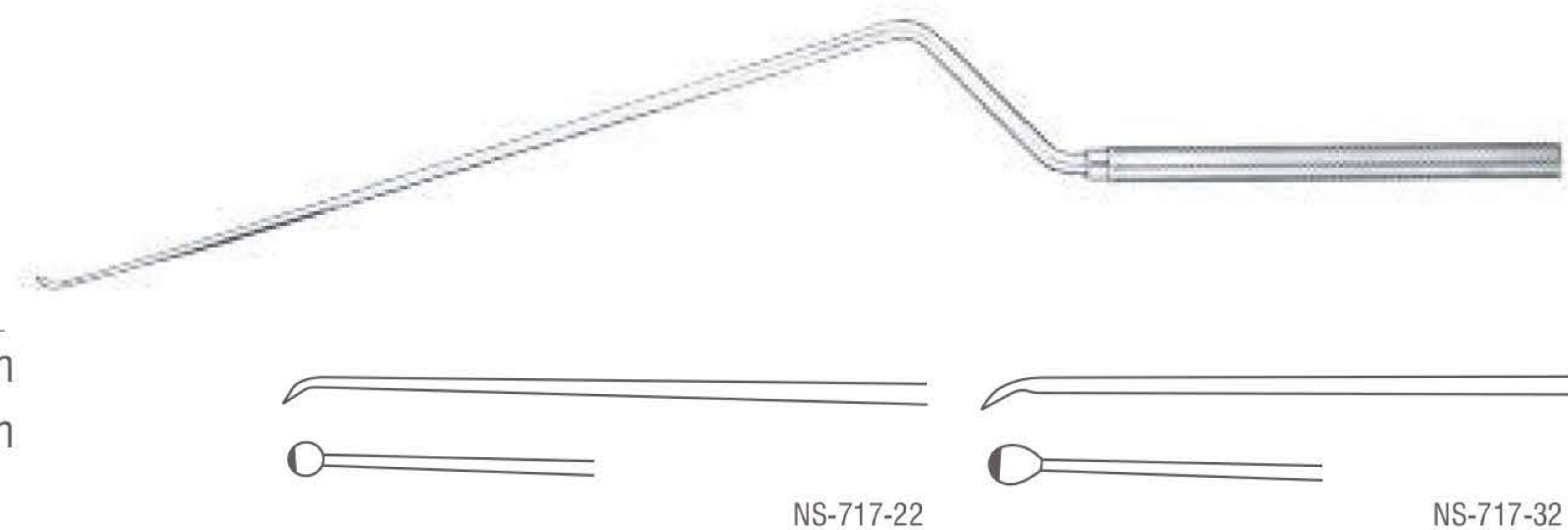
Landolt-Reulen Micro Curette
 Bayonet Shaped, Rigid

Catalog #	Size, Diameter
NS-715-26	26 cm (10 1/4"), Ø 2.5 mm



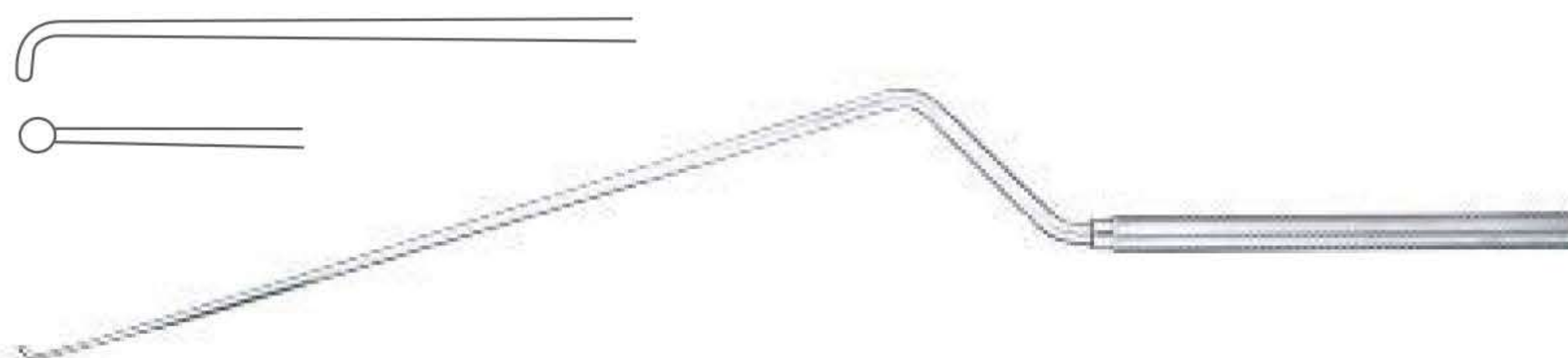
Landolt-Reulen Micro Raspatory
 Bayonet Shaped, Rigid

Catalog #	Size, Tip Size
NS-717-22	26 cm (10 1/4"), 2.2 mm
NS-717-32	26 cm (10 1/4"), 2.2 mm



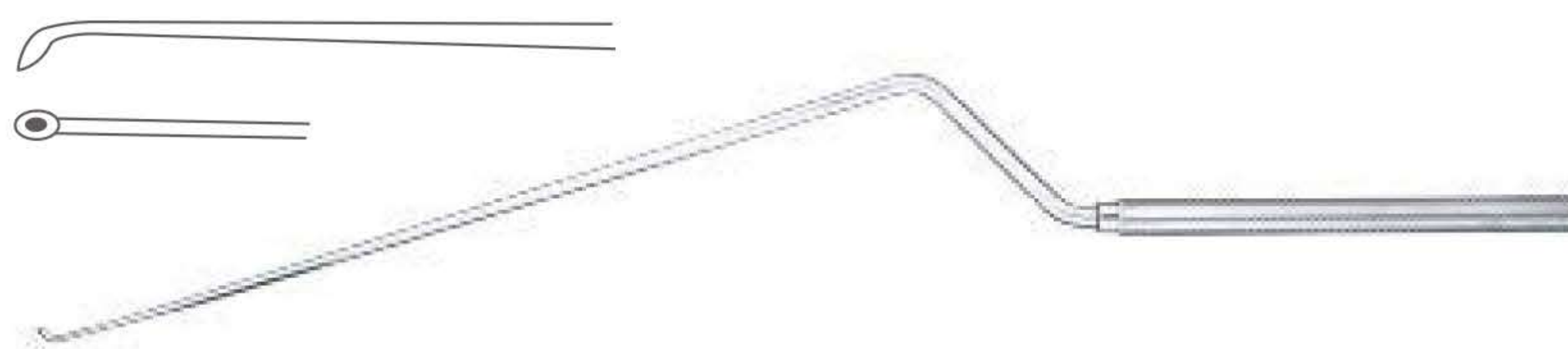
Micro Neuro Instruments
 Mikro Neuro Instrumente
 Micro Neuro Instrumentos
 Micro Neuro Instruments
 Micro Neuro Strumenti

Fahlbusch Micro Curette
 Bayonet Shaped, Malleable



Catalog #	Size, Diameter
NS-719-01	26 cm (10 1/4"), Ø 2.5 mm

Fahlbusch Micro Scoop
 Bayonet Shaped, Malleable



Catalog #	Size
NS-719-02	26 cm (10 1/4")

Cushing-Landolt Specula



Catalog #	Size, Blade Size
NS-751-01	Standard, 70 x 15 mm
NS-751-02	Standard, 90 x 15 mm
NS-751-03	Standard, 110 x 15 mm

Landolt Spcula



Catalog #	Size
NS-755-21	21.5 cm (8 1/2")

Mirror

Catalog #	Diameter
NS-790-06	Ø 6.0 mm
NS-790-08	Ø 8.0 mm
NS-790-10	Ø 10.0 mm
NS-790-12	Ø 12.0 mm



Micro Neuro Instruments
Mikro Neuro Instrumente
Micro Neuro Instrumentos
Micro Neuro Instruments
Micro Neuro Strumenti

Mirror Handle
Bayonet Shaped

Catalog #	Size
NS-792-00	15 cm (6")

