

NJ ENTERPRISES

Block # 4, Rashid Minhas Road, Small Industries Estate Sialkot - Pakistan.

Whatsapp: Mob: 0092 333 8733922
Phone: 0092 52 3257502
Fax: 0092 52 3257501

E-mail: akif@nj-ent.co
njenterprisespk@yahoo.com
Website: www.nj-ent.com



Diagnostic
Instruments

Percussion Hammers
 Perkussionshämmer
 Martillos para reflejos
 Marteaux-percuteurs
 Martelli percussori

Buck Percussion Hammer
 With Needle and Brush

Catalog #	Size
DI-100-18	18.5 cm (7 1/4")



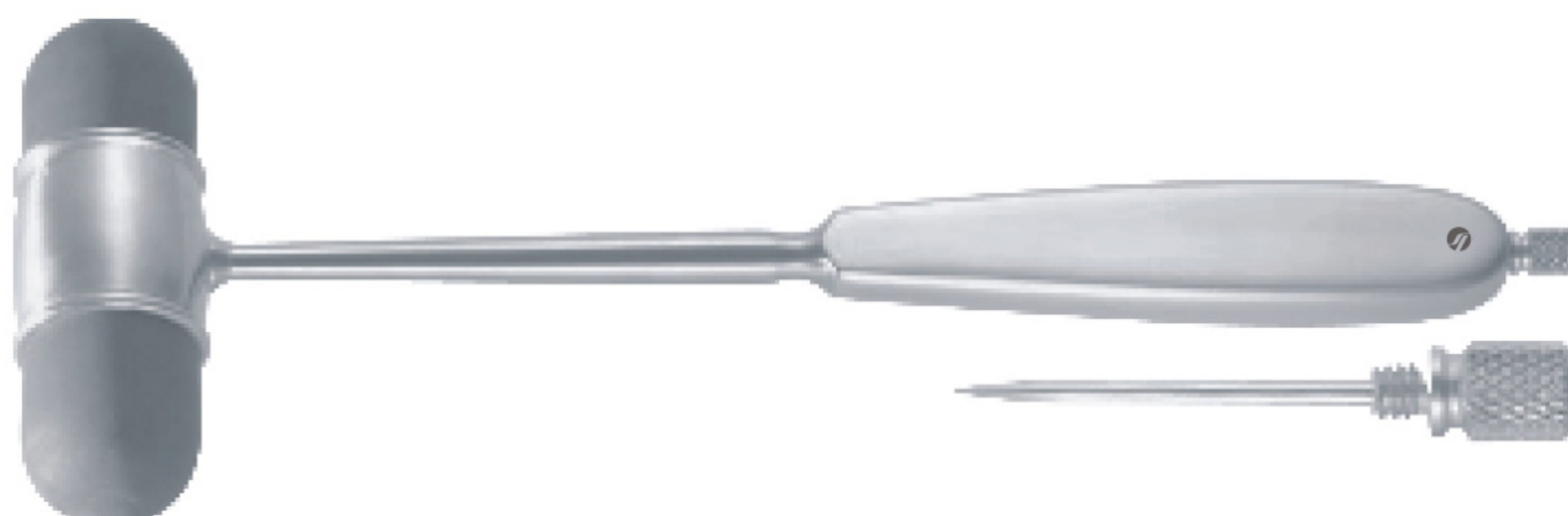
Dejerine Percussion Hammer

Catalog #	Size
DI-110-20	20 cm (8")



Dejerine Percussion Hammer
 With Needle

Catalog #	Size
DI-112-21	21 cm (8 1/4")



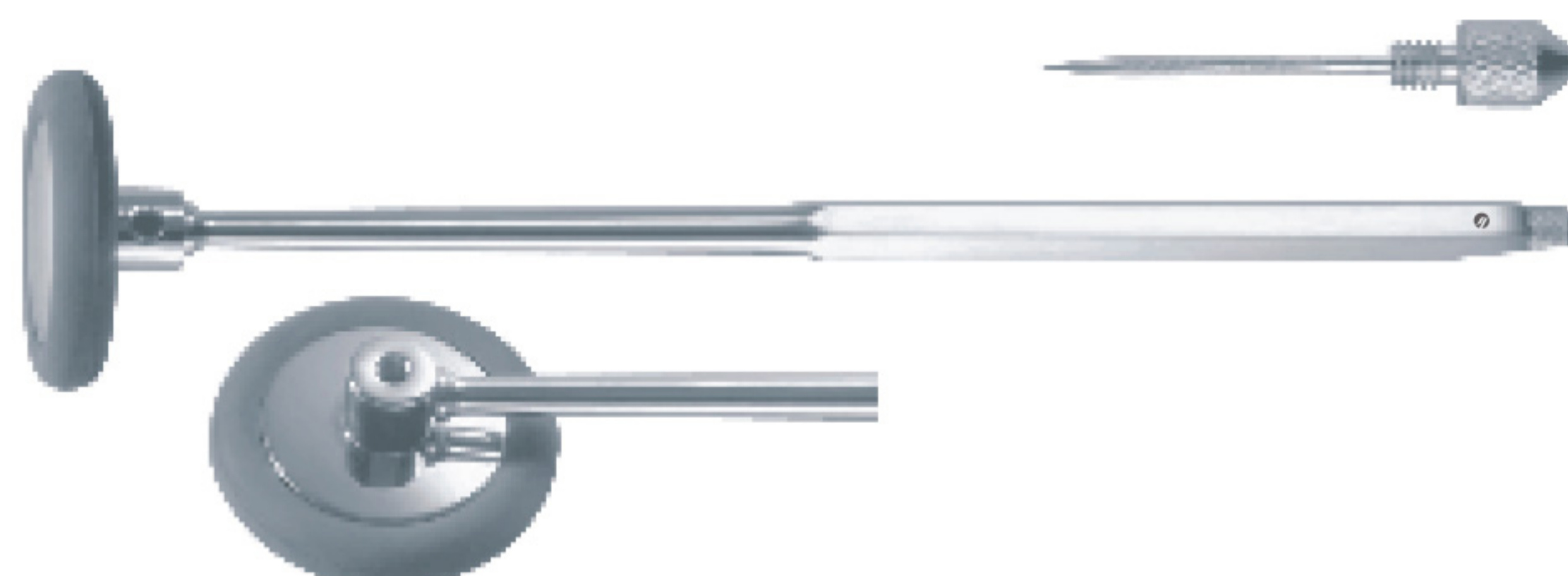
Taylor Mod. USA Percussion Hammer

Catalog #	Size
DI-120-20	20 cm (8")



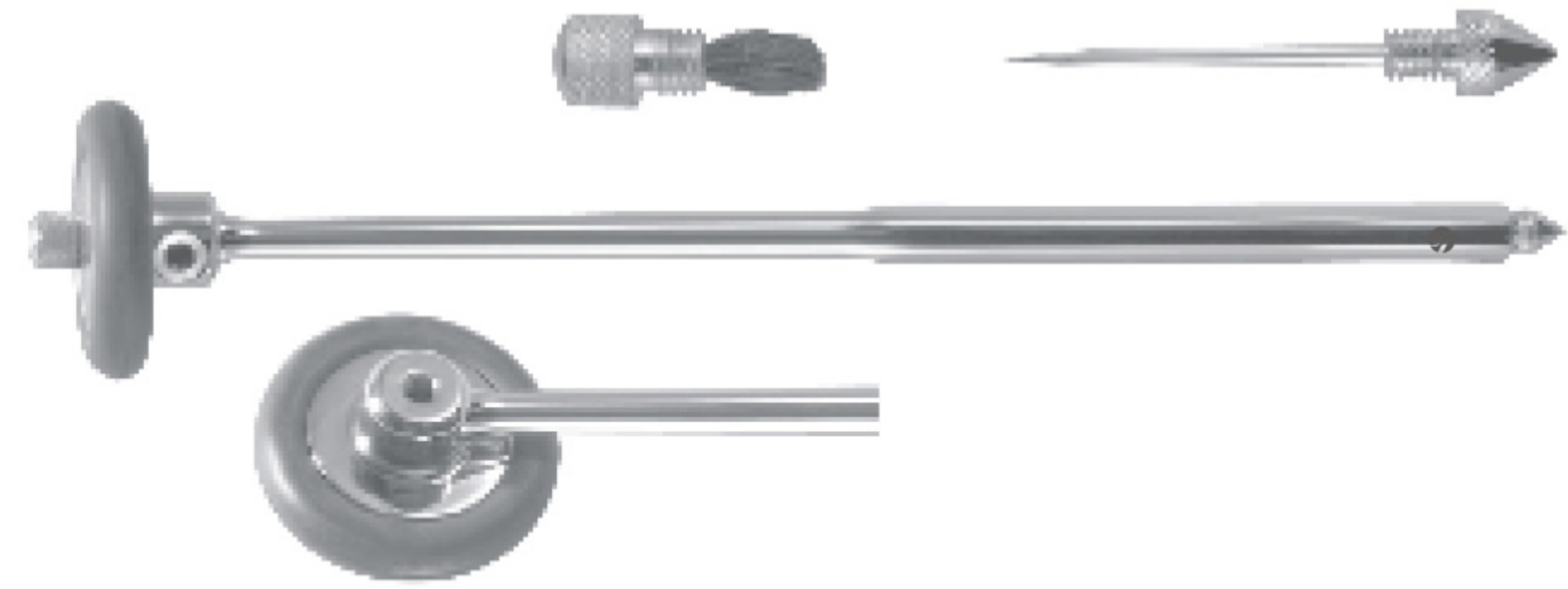
Babinsky Percussion Hammer
 With Needle

Catalog #	Size
DI-130-22	22 cm (8 3/4")



Percussion Hammers, Stethoscopes
 Perkussionshämmer, Stethoskope
 Martillos para reflejos, Estetoscopios
 Marteaux-percuteurs, Stéthoscopes
 Martelli percussori, Stetoscopi

Rabiner Percussion Hammer



Catalog #	Size
DI-132-23	23 cm (9")

Wartenberg Sensibility Instrument



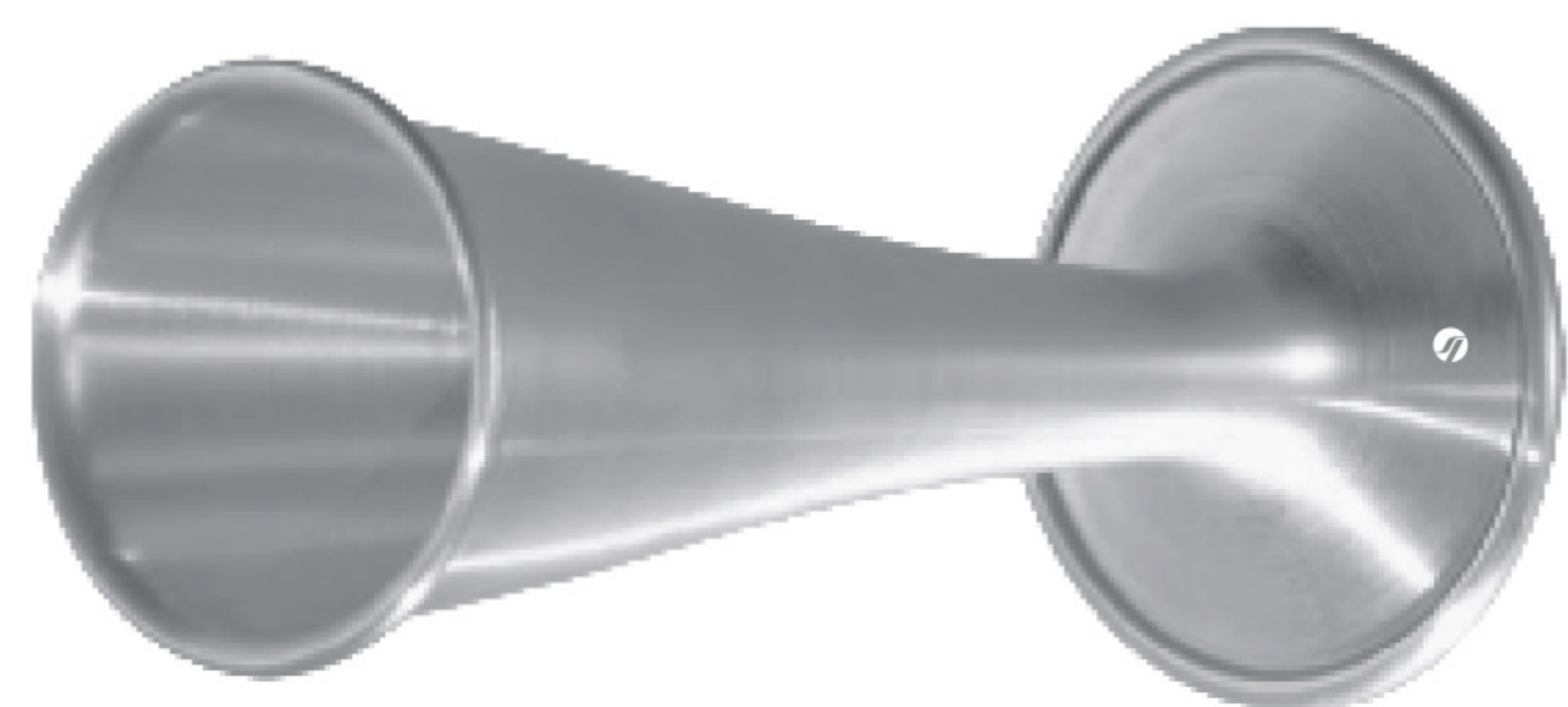
Catalog #	Size
DI-210-19	19 cm (7 1/2")

Pinard Stethoscope
Wood



Catalog #	Size
DI-300-18	18 cm (7")

Pinard Stethoscope
Aluminium



Catalog #	Size
DI-310-15	15 cm (6")

Duplex-Baby Stethoscope
Super Light Weight



Catalog #	Chest Piece Diameter
DI-350-00	Ø 37 mm

Stethoscopes, Blood Pressure Manometers
 Stethoskope, Blutdruckmessgeräte
 Estetoscopios, Manómetros
 Stéthoscopes, Tonomètres
 Stetoscopi, Sfigmomanometri

Duplex Stethoscope
 Super Light Weight

Catalog #	Chest Piece Diameter
DI-380-00	Ø 47 mm



Anaestophon Stethoscope
 Super Light Weight

Catalog #	Chest Piece Diameter
DI-390-00	Ø 47 mm



Diplomat Manometer
 With Velcro Cuff

Catalog #	Size
DI-500-00	Standard



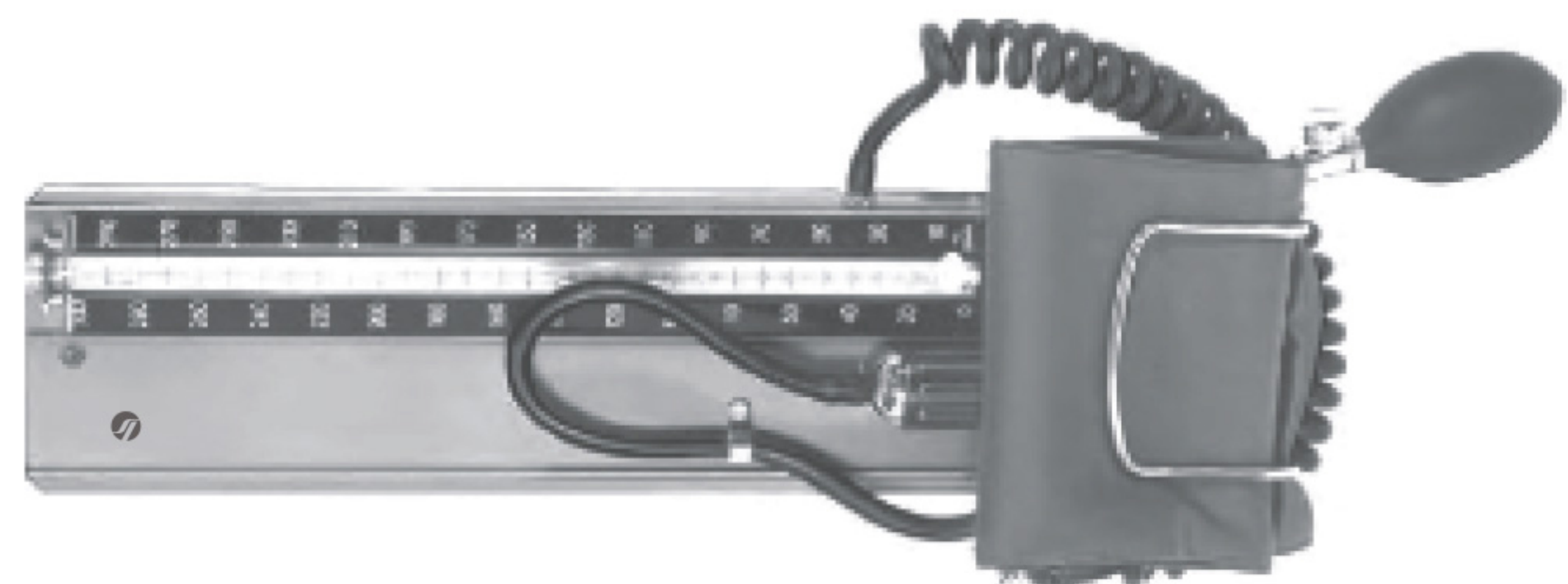
Manometer
 With Velcro Cuff

Catalog #	Size
DI-520-00	Standard



Manometer
 Wall Mounted

Catalog #	Size
DI-550-00	Standard



Head Mirrors, Head Lamps
 Stirnspiegel, Stirnlampen
 Espejos frontales, Lámparas frontales
 Miroirs frontaux, Eclaireurs frontaux
 Specchio frontale, Lampada frontale

Pressofix Tourniquet

Catalog #	Width
DI-585-00	30 mm



Ziegler Head Mirror
 Without Protection Cap

Catalog #	Diameter
DI-600-09	Ø 90 mm



Ziegler Head Mirror
 With Protection Cap

Catalog #	Diameter
DI-601-09	Ø 90 mm



Clar Head Light Complete
 With Transformer

Catalog #	Diameter, Power Source
DI-611-06	Ø 55 mm, 6 Volts



Clar Head Light Complete
 With Transformer

Catalog #	Diameter, Power Source
DI-615-06	Ø 100 mm, 6 Volts



Head Lamps, Magnifying Glass
 Stirnlampen, Stiihlupen
 Lámparas frontales, Lupas
 Eclaireurs frontaux, Loupes
 Lampada frontale, Lenti d` ingrandimento

Head Light
 Xenon Light

Catalog #	Size
DI-651-06	Standard



Magnifying Glass
 Bi-Convex, Metal Handle

Catalog #	Magnification, Glass Diameter
DI-670-50	2.5 x, 50 mm Ø



Magnifying Glass
 Bi-Convex, Plastic Handle

Catalog #	Magnification, Glass Diameter
DI-672-75	2.5 x, 75 mm Ø



Operating Loupe

Catalog #	Magnification, Working Distance
DI-680-00	2.3 x, 340 mm



Operating Loupe

Catalog #	Magnification, Working Distance
DI-690-00	1.8 x, 400 mm



Diagnostic Set
 Diagnostikbesteck
 Juego para Diagnóstico
 Jeu pour diagnostic
 Set per diagnostica

Corona™ Premium EENT Diagnostic Set



Catalog #	Size
DI-730-00	Standard



Corona™ Premium Otoscope



Catalog #	Size
DI-732-00	Standard



Corona™ Premium Ophthalmoscope



Catalog #	Size
DI-734-00	Standard



Apollo™ Standard Universal EENT Diagnostic Set



Catalog #	Size
DI-740-00	Standard



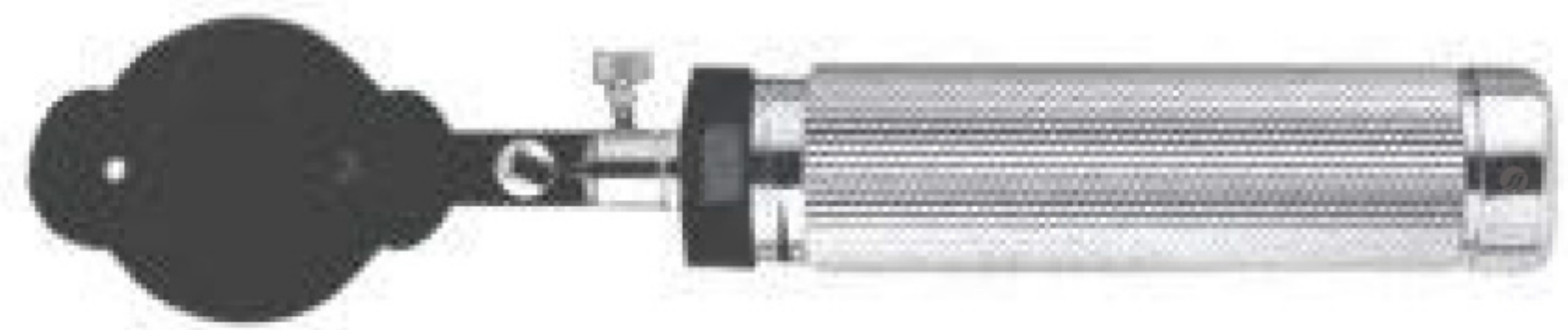
Diagnostic Set, Calipers
 Diagnostikbesteck, Meßzirkel
 Juego para Diagnóstico, Compases
 Jeu pour diagnostic, Compas
 Set per diagnostica, Compassi

Apollo™ Standard Otoscope



Catalog #	Size
DI-742-00	Standard

Apollo™ Standard Ophthalmoscope



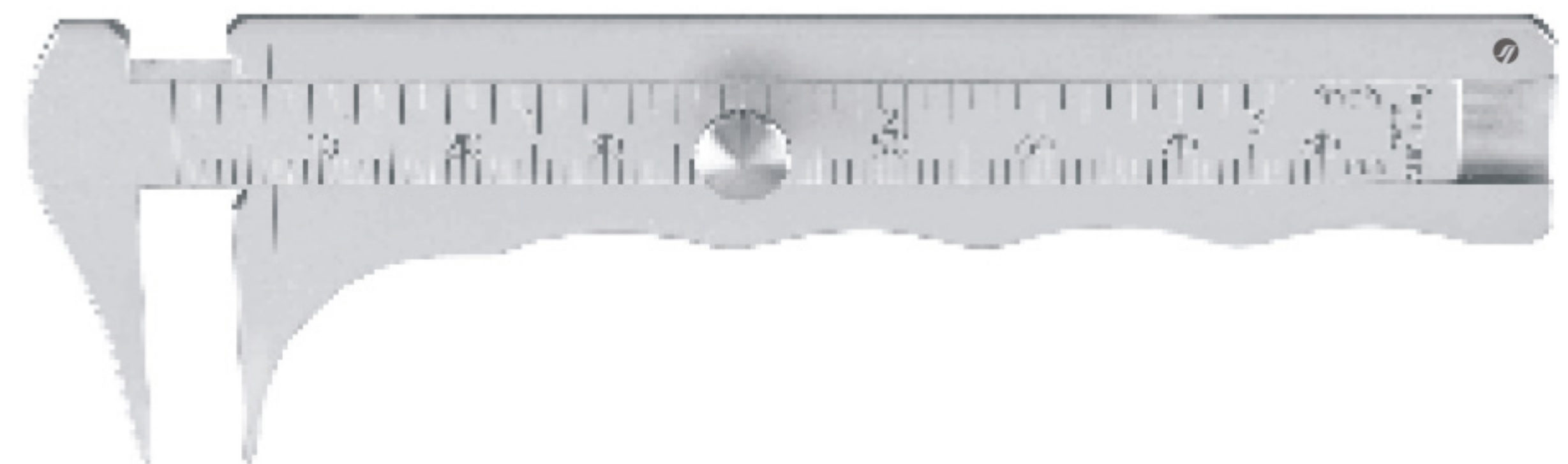
Catalog #	Size
DI-744-00	Standard

Apollo™ Standard Dermatoscope



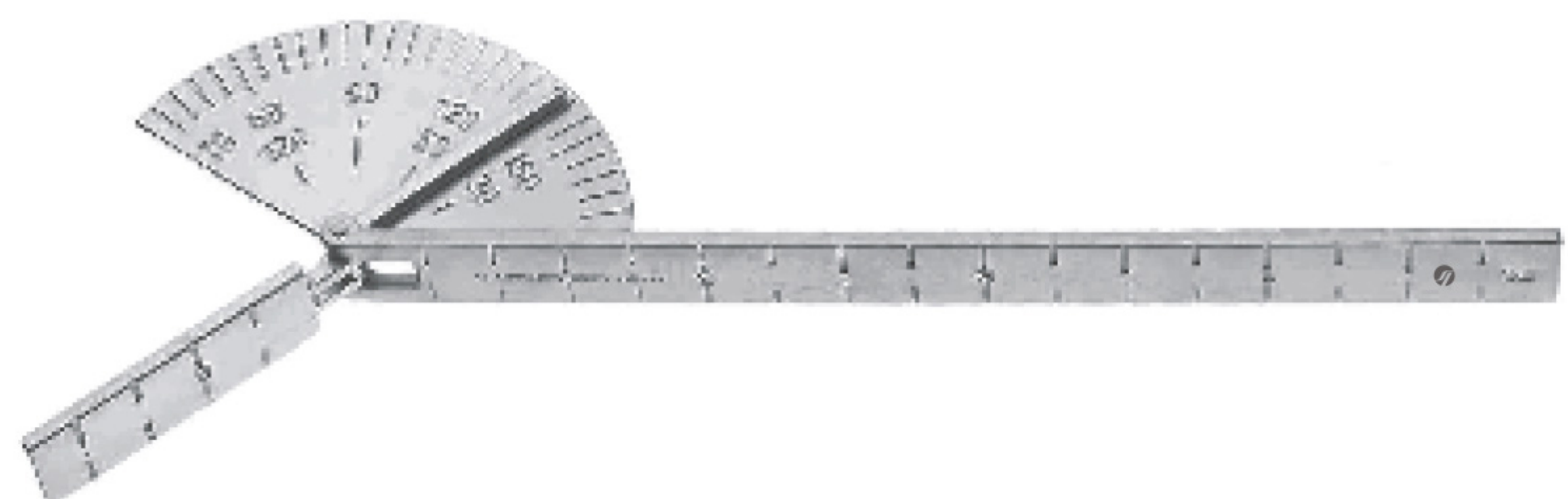
Catalog #	Size
DI-750-00	Standard

Jameson Caliper



Catalog #	Size
DI-801-00	Standard

Carroll Finger Goniometer



Catalog #	Size
DI-803-14	14.5 cm (5 3/4")

Calipers, Dynamometers, Flexometer
 Schieblehren, Dynamometer, Winkelmesser
 Calibres, Dinamómetros, Goniómetro
 Pieds à coulisse, Dynamomètres, Goniomètres
 Calibro, Dinamometro, Goniometro

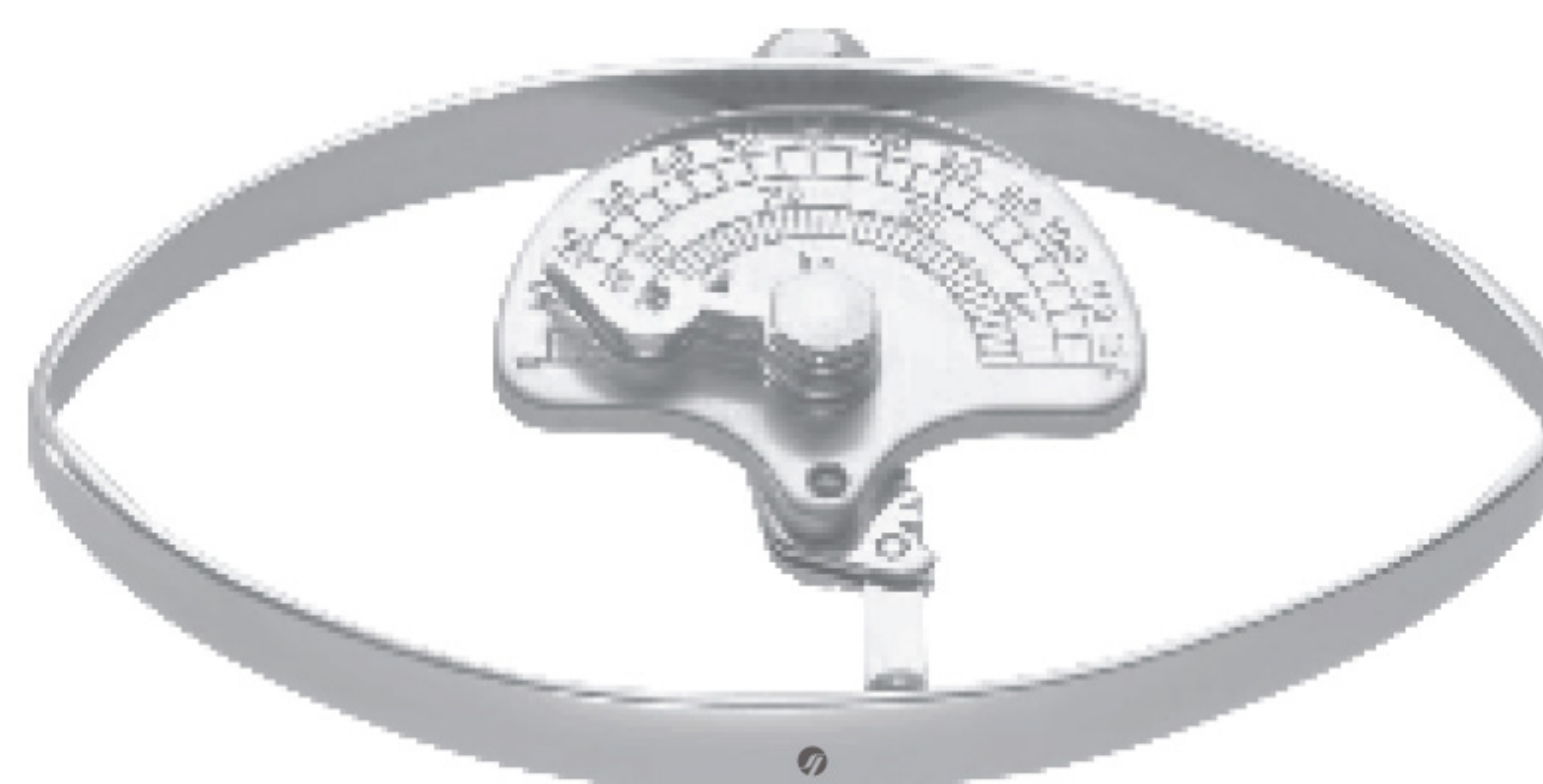
Townley Caliper
 Graduated in mm and inches

Catalog #	Size
DI-805-11	11.5 cm (4 1/2")



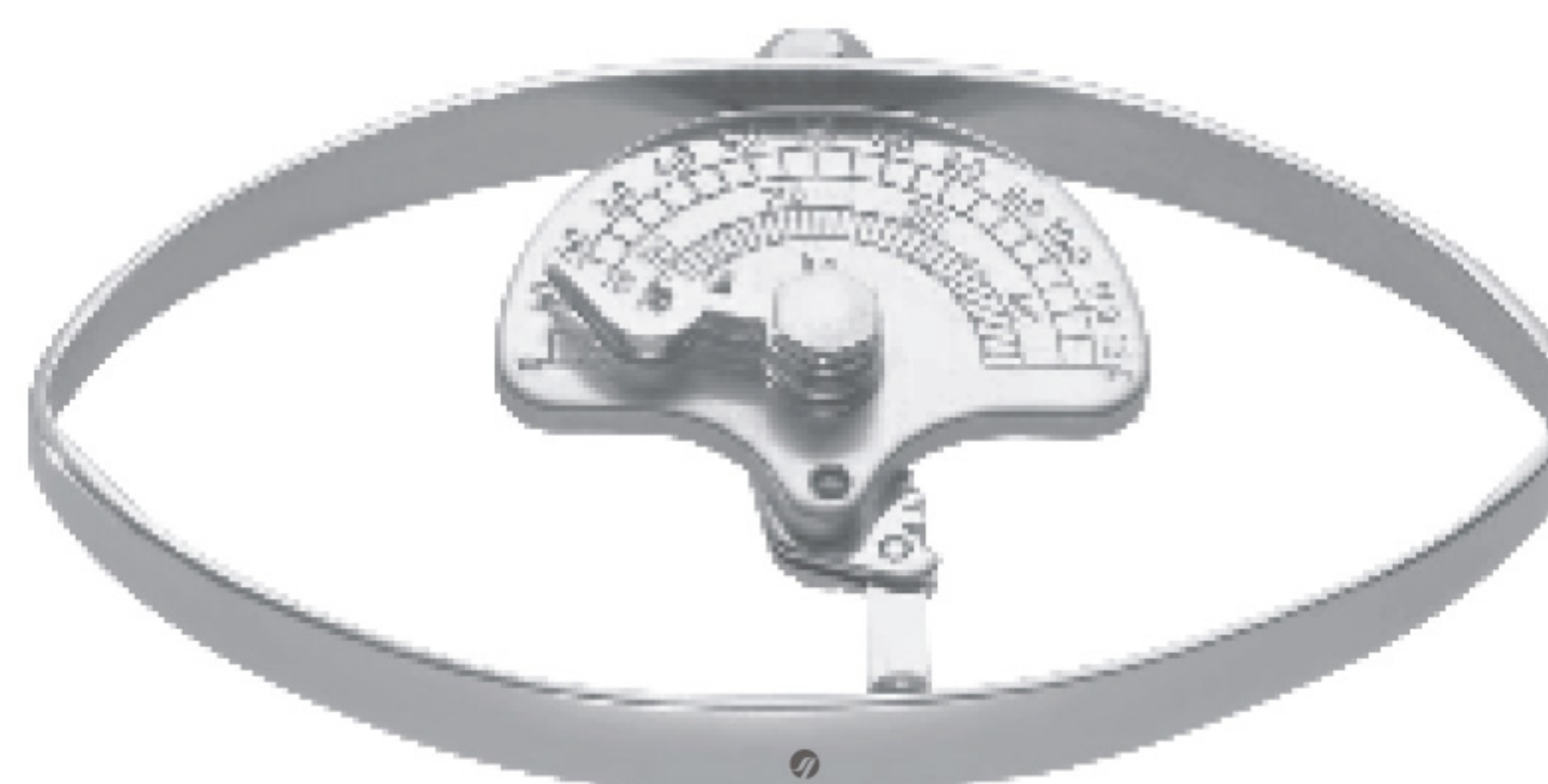
Collin Dynamometer
 Graduated in KG, For Adults

Catalog #	Size
DI-810-11	11 cm (4 1/4")



Collin Dynamometer
 Graduated in Lbs, For Adults

Catalog #	Size
DI-812-11	11 cm (4 1/4")



Moeltgen Flexometer
 For Extremities

Catalog #	Size
DI-820-00	Standard



Vernier Caliper
 Graduated in mm and inches

Catalog #	Size, Measuring Range
DI-831-03	23.5 cm (9 1/4"), 150 mm



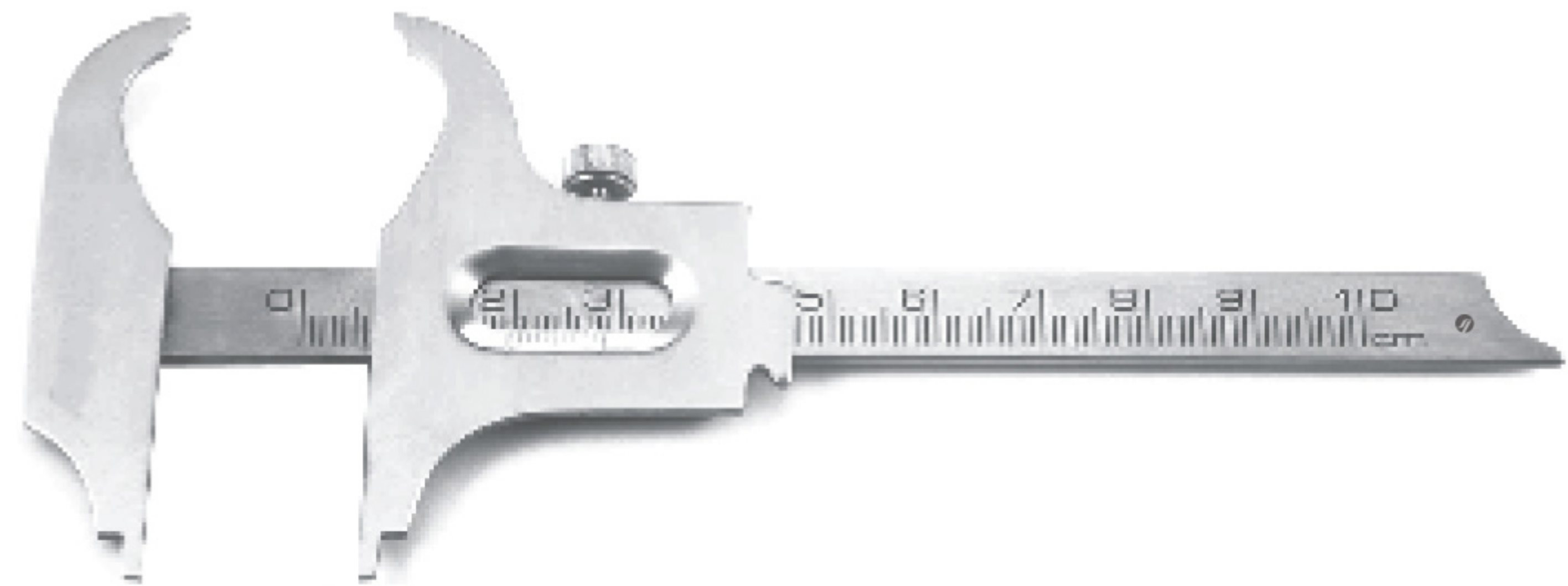
Calipers
 Schieblehren
 Calibres
 Pieds à coulisse
 Calibro

Vernier Caliper
 Graduated in mm and inches



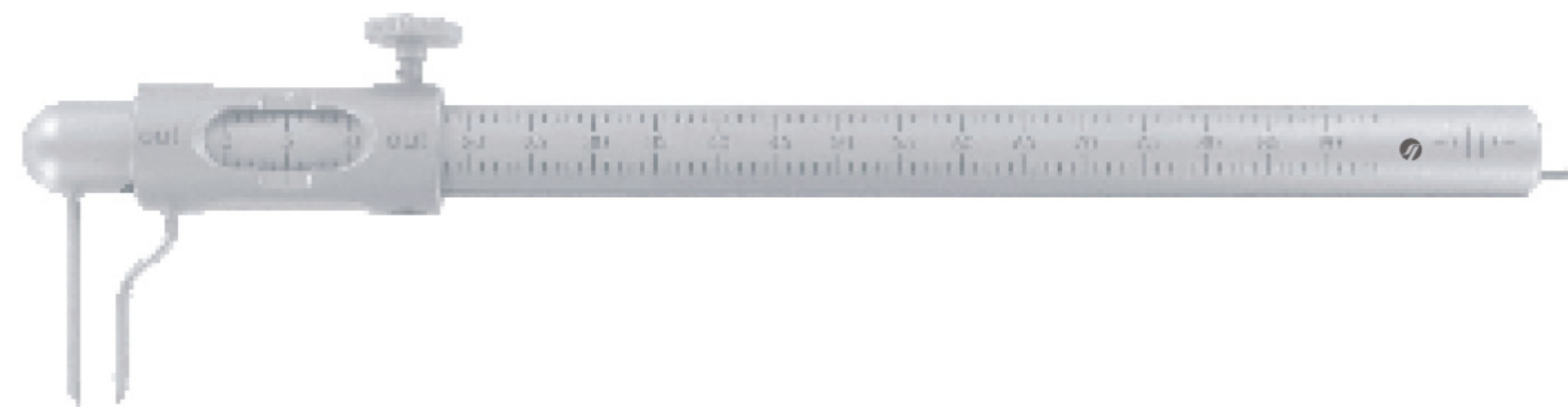
Catalog #	Size, Measuring Range
DI-833-22	22.5 cm (8 3/4"), 145 mm

Boley Caliper



Catalog #	Measuring Range
DI-841-00	100 mm

Measuring Caliper



Catalog #	Measuring Range
DI-845-00	100 mm

Castroviejo Caliper
 Straight



Catalog #	Size, Measuring Range
DI-850-15	8 cm (3"), 15 mm
DI-850-20	8 cm (3"), 20 mm

Castroviejo-Epker Caliper



Catalog #	Size, Measuring Range
DI-851-20	8 cm (3"), 20 mm

Calipers, Rulers
 Schieblehren, Maßstäbe
 Calibres, Reglas
 Pieds à coulisse, Règles à mesurer
 Calibro, Misuratori

Castroviejo Caliper
 Curved

Catalog #	Size, Measuring Range
DI-852-09	9 cm (3 1/2"), 40 mm
DI-852-18	18 cm (7"), 40 mm



Iwanson Caliper

Catalog #	Size, Measuring Range
DI-860-10	10 cm (4"), 10 mm



Ruler

Graduated in mm and inches

Catalog #	Size, Measuring Range
DI-880-15	10 cm (4"), 150 mm
DI-880-20	22 cm (8 3/4"), 200 mm
DI-880-30	31.5 cm (12 1/2"), 300 mm
DI-880-50	52.5 cm (20 3/4"), 500 mm



Ruler

For X-Ray

Catalog #	Size, Measuring Range
DI-884-50	52.5 cm (20 3/4"), 500mm



Measuring Tape

Graduated in cm and inches

Catalog #	Size
DI-890-15	150 cm (59")





NJ ENTERPRISES

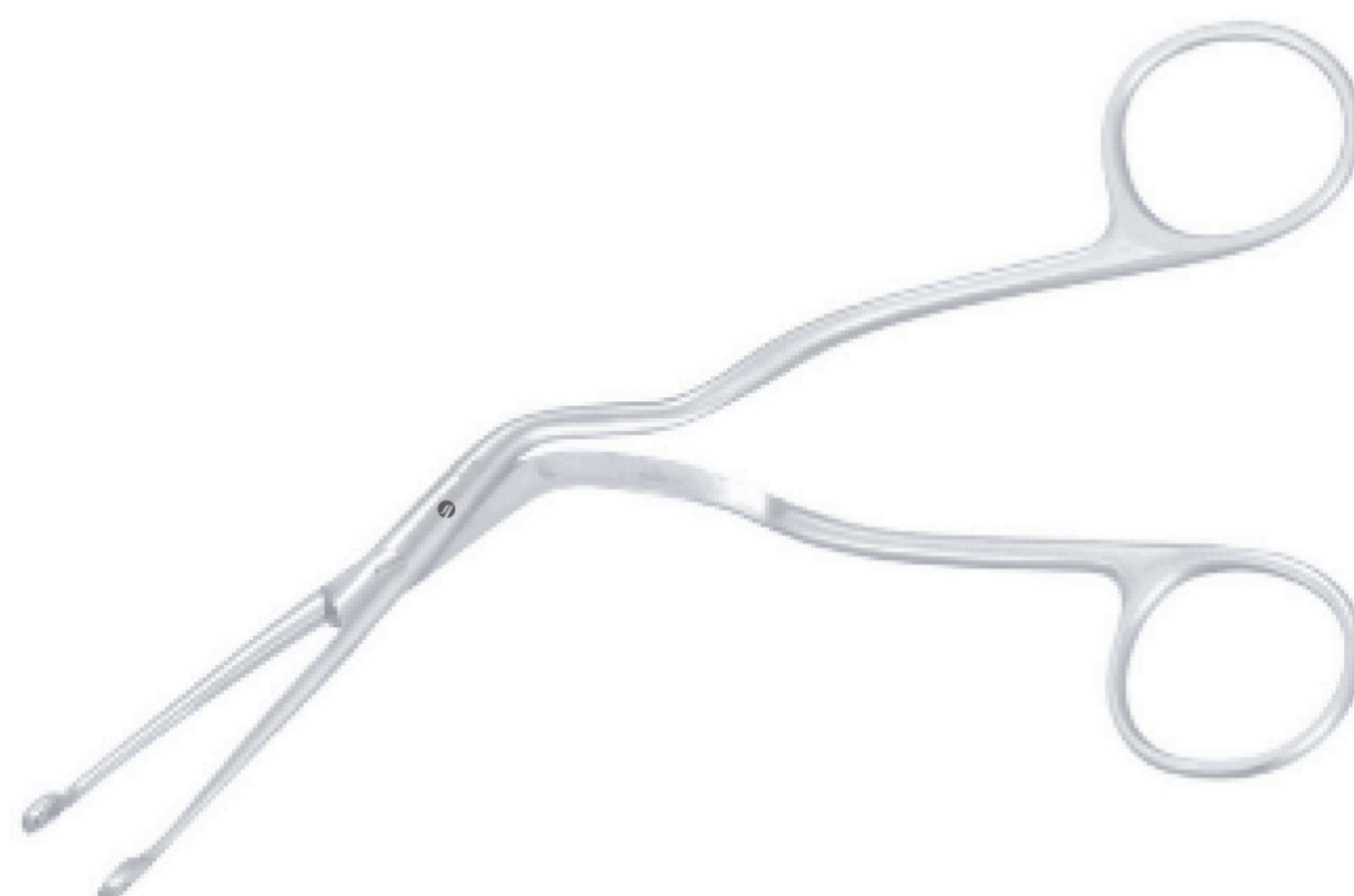


Anesthesia
Instruments

Catheter Introducing Forceps, Laryngoscopes and Accessories
 Kathetereinführzangen, Laryngoskope und Zubehör
 Pinzas para catéteres, Laringoscopios y accesorios
 Pincas pour introduire les sondes, Laryngoscopes et accessoires
 Pinze per introdurre le sonde, Laringoscopi ed accessori

Magill Catheter Introducing Forcep
 For Babies

Catalog #	Size
AN-010-15	14.5 cm (5 ¾"), For Babies
AN-010-20	20 cm (8"), For Children
AN-010-25	25 cm (9 ¾"), For Adults



Apollo™ Standard Miller-Baby Laryngoscope Set
 With Battery Handle Ref: AN-290-01 and 2 Blades Ref: AN-110-00 to AN-110-01



Catalog #	Size
AN-100-00	Standard



Apollo™ Standard Miller Laryngoscope Set
 With Battery Handle Ref: AN-290-01 and 3 Blades Ref: AN-110-01 to AN-110-03



Catalog #	Size
AN-101-00	Standard



Apollo™ Standard Miller Laryngoscope Set
 With Battery Handle Ref: AN-290-01 and 4 Blades Ref: AN-110-01 to AN-110-04



Catalog #	Size
AN-102-00	Standard



Apollo™ Standard Miller Laryngoscope Set
 With Battery Handle Ref: AN-290-01 and 5 Blades Ref: AN-110-00 to AN-110-04



Catalog #	Size
AN-103-00	Standard



Laryngoscopes and Accessories
 Laryngoskope und Zubehör
 Laringoscopios y accesorios
 Laryngoscopes et accessoires
 Laringoscopi ed accessori

Apollo™ Standard Miller Laryngoscope Blade



Catalog #	Blade Length, Fig, Usage
AN-110-00	55 mm, Fig. 0, For Babies
AN-110-01	80 mm, Fig. 1, For Children
AN-110-02	130 mm, Fig. 2, Adolescents
AN-110-03	170 mm, Fig. 3, Women
AN-110-04	180 mm, Fig. 4, Men



Apollo™ Standard McIntosh-Baby Laryngoscope Set

With Battery Handle Ref: AN-290-01 and 2 Blades Ref: AN-210-00 to AN-210-01



Catalog #	Size
AN-200-00	Standard



Apollo™ Standard McIntosh Laryngoscope Set

With Battery Handle Ref:- AN-290-01 and 3 Blades Ref:- AN-210-01 to AN-210-03



Catalog #	Size
AN-201-00	Standard



Apollo™ Standard McIntosh Laryngoscope Set

With Battery Handle Ref:- AN-290-01 and 4 Blades Ref:- AN-210-01 to AN-210-04



Catalog #	Size
AN-202-00	Standard



Apollo™ Standard McIntosh Laryngoscope Set

With Battery Handle Ref:- AN-290-01 and 5 Blades Ref:- AN-210-00 to AN-210-04



Catalog #	Size
AN-203-00	Standard



Laryngoscopes and Accessories
 Laryngoskope und Zubehör
 Laringoscopios y accesorios
 Laryngoscopes et accessoires
 Laringoscopi ed accessori

Apollo™ Standard McIntosh Laryngoscope Blade
 Fig. 0, For Babies



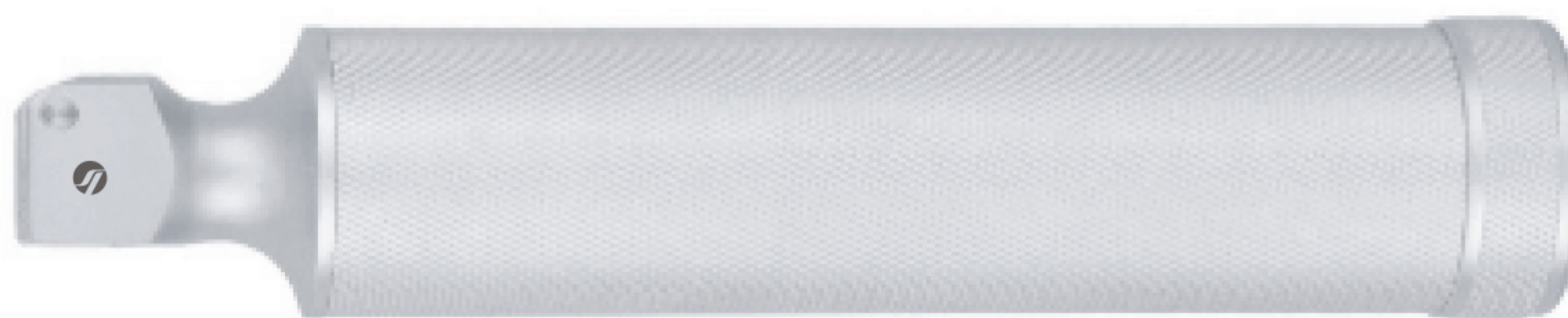
Catalog #	Blade Length, Fig, Usage
AN-210-00	55 mm, Fig. 0, For Babies
AN-210-01	75 mm, Fig. 1, For Children
AN-210-02	90 mm, Fig. 2, For Adolescents
AN-210-03	110 mm, Fig. 3, For Women
AN-210-04	135 mm, Fig. 4, For Men



Apollo™ Standard Battery Handle
 Chrome Plated



Catalog #	Size
AN-290-01	Standard



Apollo™ Standard Spare Bulb Large
 For Blades Fig. 2 to 4



Catalog #	Size
AN-294-01	Standard



Apollo™ Standard Spare Bulb Small
 For Blades Fig. 0 to 1



Catalog #	Size
AN-294-02	Standard



Laryngoscopes and Accessories
 Laryngoskope und Zubehör
 Laringoscopios y accesorios
 Laryngoscopes et accessoires
 Laringoscopi ed accessori

Corona™ Premium Fibre Optic McIntosh-Baby Laryngoscope Set
 With Battery Handle Ref:- AN-590-01 and 2 Blades Ref:- AN-410-00 to AN-410-01



Catalog #	Size
AN-400-00	Standard



Corona™ Premium Fibre Optic McIntosh Laryngoscope Set
 With Battery Handle Ref:- AN-590-01 and 3 Blades Ref:- AN-410-01 to AN-410-03



Catalog #	Size
AN-401-00	Standard



Corona™ Premium Fibre Optic McIntosh Laryngoscope Set
 With Battery Handle Ref:- AN-590-01 and 4 Blades Ref:- AN-410-01 to AN-410-04



Catalog #	Size
AN-402-00	Standard



Corona™ Premium Fibre Optic McIntosh Laryngoscope Set
 With Battery Handle Ref:- AN-590-01 and 5 Blades Ref:- AN-410-00 to AN-410-04



Catalog #	Size
AN-403-00	Standard



Corona™ Premium Fibre Optic McIntosh Laryngoscope Blade



Catalog #	Blade Length, Fig, Usage
AN-410-00	55 mm, Fig. 0, For Babies
AN-410-01	70 mm, Fig. 1, For Children
AN-410-02	80 mm, Fig. 2, For Adolescents
AN-410-03	105 mm, Fig. 3, For Women
AN-410-04	130 mm, Fig. 4, For Men



Laryngoscopes and Accessories
 Laryngoskope und Zubehör
 Laringoscopios y accesorios
 Laryngoscopes et accessoires
 Laringoscopi ed accessori

Corona™ Premium Fibre Optic Miller-Baby Laryngoscope Set
 With Battery Handle Ref:- AN-590-01 and 2 Blades Ref:- AN-510-00 to AN-510-01



Catalog #	Size
AN-500-00	Standard



Corona™ Premium Fibre Optic Miller Laryngoscope Set
 With Battery Handle Ref:- AN-590-01 and 3 Blades Ref:- AN-510-01 to AN-510-03



Catalog #	Size
AN-501-00	Standard



Corona™ Premium Fibre Optic Miller Laryngoscope Set
 With Battery Handle Ref:- AN-590-01 and 4 Blades Ref:- AN-510-01 to AN-510-04



Catalog #	Size
AN-502-00	Standard



Corona™ Premium Fibre Optic Miller Laryngoscope Set
 With Battery Handle Ref:- AN-590-01 and 5 Blades Ref:- AN-510-00 to AN-510-04



Catalog #	Size
AN-503-00	Standard



Corona™ Premium Fibre Optic Miller Laryngoscope Blade
 Fig. 0, For Babies



Catalog #	Blade Length, Fig, Usage
AN-510-00	55 mm, Fig. 0, For Babies
AN-510-01	80 mm, Fig. 1, For Children
AN-510-02	130 mm, Fig. 2, For Adolescents
AN-510-03	170 mm, Fig. 3, For Women
AN-510-04	180 mm, Fig. 4, For Men



Laryngoscopes and Accessories
 Laryngoskope und Zubehör
 Laringoscopios y accesorios
 Laryngoscopes et accessoires
 Laringoscopi ed accessori

Corona™ Premium Fibre Optic Battery Handle
 With 2.5 Volts Xenon Bulb



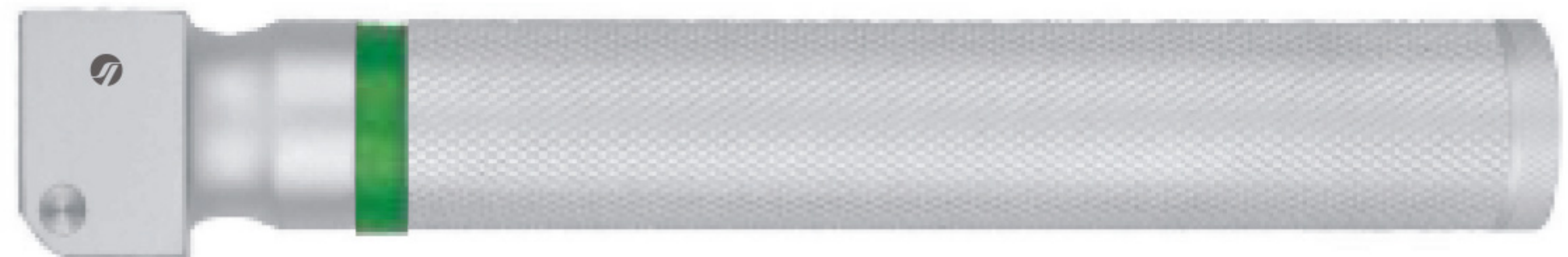
Catalog #	Size
AN-590-01	Standard



Corona™ Premium Fibre Optic Battery Handle
 Slim Profile, With 2.5 Volts Xenon Bulb



Catalog #	Size
AN-592-02	Standard



Corona™ Premium Fibre Optic Spare Bulb
 Xenon



Catalog #	Power Rating
AN-594-01	2.5 V



Laryngoscopes and Accessories
 Laryngoskope und Zubehör
 Laringoscopios y accesorios
 Laryngoscopes et accessoires
 Laringoscopi ed accessori

MaxBright™ LED Fibre Optic McIntosh-Baby Laryngoscope Set
 With Battery Handle Ref:- AN-890-01 and 2 Blades Ref:- AN-710-00 to AN-710-01



Catalog #	Size
AN-700-00	Standard



MaxBright™ LED Fibre Optic McIntosh Laryngoscope Set
 With Battery Handle Ref:- AN-890-01 and 3 Blades Ref:- AN-710-01 to AN-710-03



Catalog #	Size
AN-701-00	Standard



MaxBright™ LED Fibre Optic McIntosh Laryngoscope Set
 With Battery Handle Ref:- AN-890-01 and 4 Blades Ref:- AN-710-01 to AN-710-04



Catalog #	Size
AN-702-00	Standard



MaxBright™ LED Fibre Optic McIntosh Laryngoscope Set
 With Battery Handle Ref:- AN-890-01 and 5 Blades Ref:- AN-710-00 to AN-710-04



Catalog #	Size
AN-703-00	Standard



MaxBright™ LED Fibre Optic McIntosh Laryngoscope Blade
 Fig. 0, For Babies



Catalog #	Blade Length, Fig, Usage
AN-710-00	55 mm, Fig. 0, For Babies
AN-710-01	70 mm, Fig. 1, For Children
AN-710-02	80 mm, Fig. 2, For Adolescents
AN-710-03	105 mm, Fig. 3, For Women
AN-710-04	130 mm, Fig. 4, For Men



Laryngoscopes and Accessories
 Laryngoskope und Zubehör
 Laringoscopios y accesorios
 Laryngoscopes et accessoires
 Laringoscopi ed accessori

MaxBright™ Fibre Optic Miller-Baby Laryngoscope Set

With Battery Handle Ref:- AN-890-01 and 2 Blades Ref:- AN-810-00 to AN-810-01



Catalog #	Size
AN-800-00	Standard



MaxBright™ Fibre Optic Miller Laryngoscope Set

With Battery Handle Ref:- AN-890-01 and 3 Blades Ref:- AN-810-01 to AN-810-03



Catalog #	Size
AN-801-00	Standard



MaxBright™ Fibre Optic Miller Laryngoscope Set

With Battery Handle Ref:- AN-890-01 and 4 Blades Ref:- AN-810-01 to AN-810-04



Catalog #	Size
AN-802-00	Standard



MaxBright™ Fibre Optic Miller Laryngoscope Set

With Battery Handle Ref:- AN-890-01 and 5 Blades Ref:- AN-810-00 to AN-810-04



Catalog #	Size
AN-803-00	Standard



MaxBright™ Fibre Optic Miller Laryngoscope Blade

Fig. 0, For Babies



Catalog #	Blade Length, Fig, Usage
AN-810-00	55 mm, Fig. 0, For Babies
AN-810-01	80 mm, Fig. 1, For Children
AN-810-02	130 mm, Fig. 2, For Adolescents
AN-810-03	170 mm, Fig. 3, For Women
AN-810-04	180 mm, Fig. 4, For Men



Laryngoscopes and Accessories
 Laryngoskope und Zubehör
 Laringoscopios y accesorios
 Laryngoscopes et accessoires
 Laringoscopi ed accessori

MaxBright™ Fibre Optic Battery Handle
 With 2.5 Volts LED Bulb



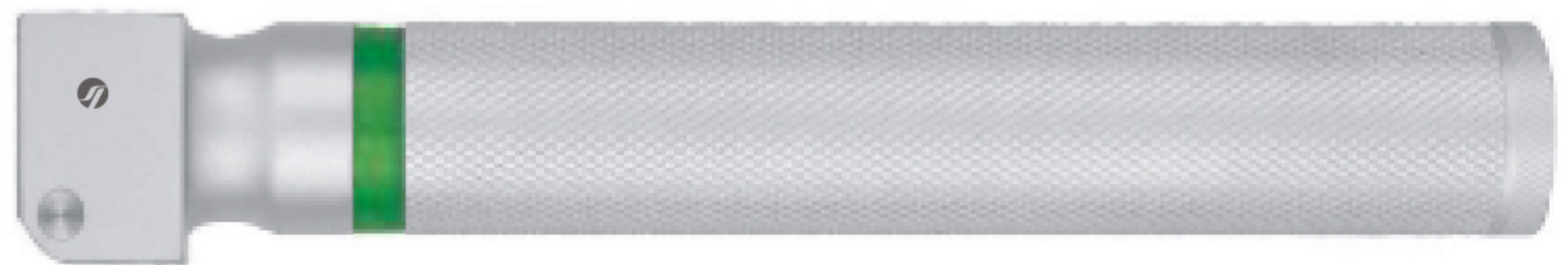
Catalog #	Size
AN-890-01	Standard



MaxBright™ Fibre Optic Battery Handle
 Slim Profile, With 2.5 Volts LED Bulb



Catalog #	Size
AN-892-02	Standard



MaxBright™ LED Fibre Optic Spare Bulb



Catalog #	Power Rating
AN-894-01	2.5 V

